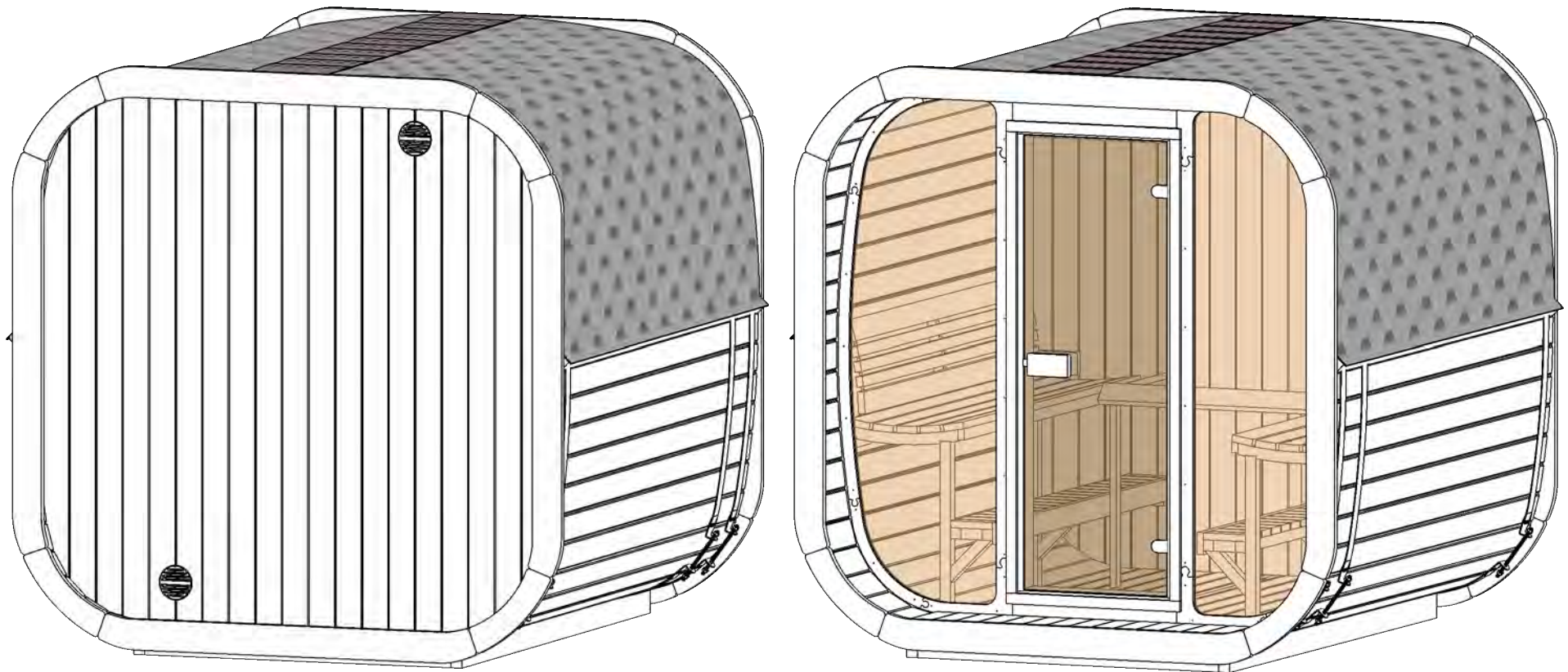
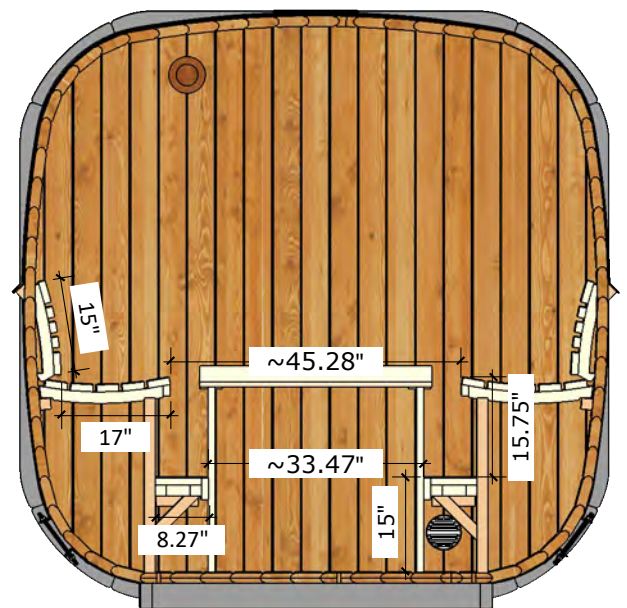
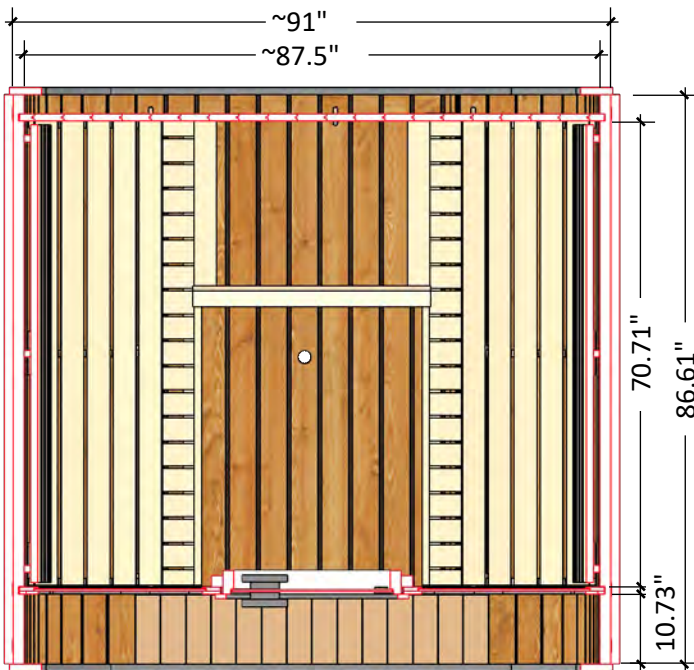
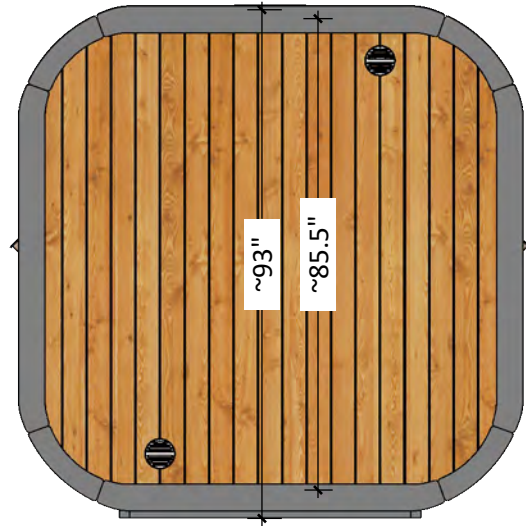
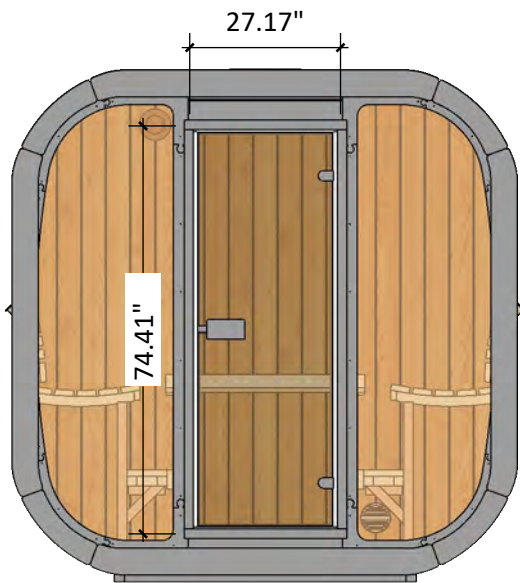




Cube Luxury Series CL7G Outdoor Sauna  
87D" x 91W" x 93H"

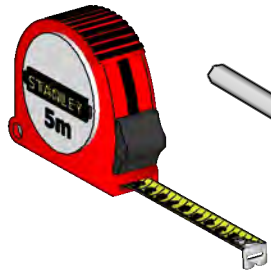


Note: Please read manual before construction

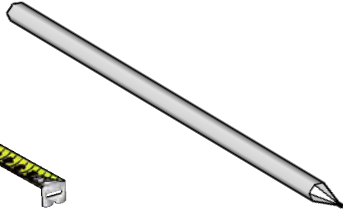


1875 lbs.

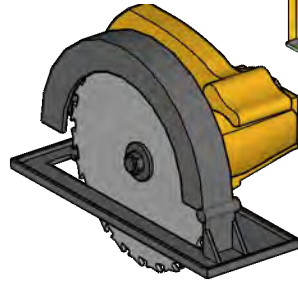
# Tools needed



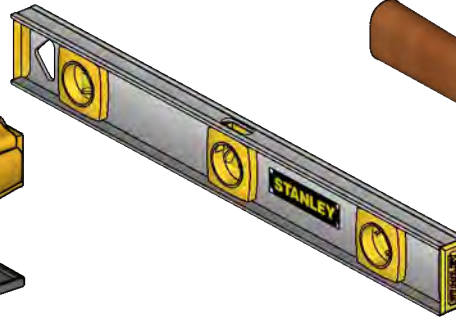
Measuring tape



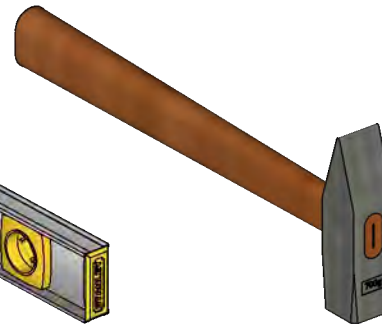
Marker pen



Circular saw



Water level



Hammer



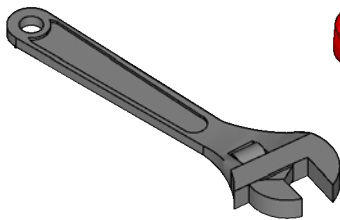
Extra hands



Screwdriver



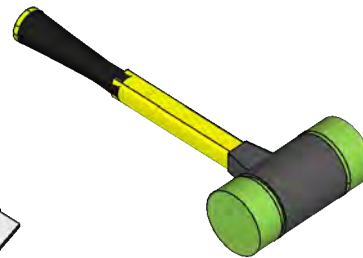
Drill



Crescent wrench



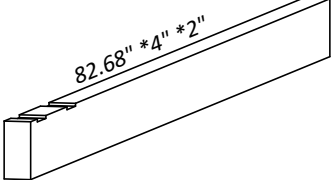
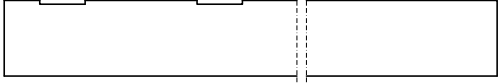
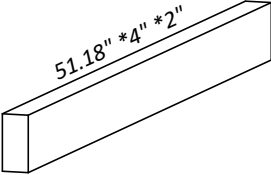

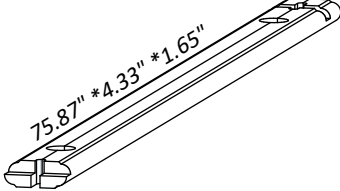
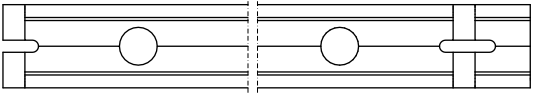
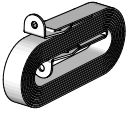
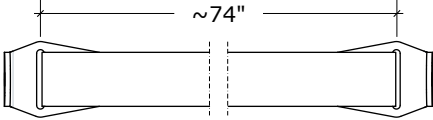
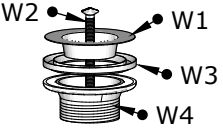

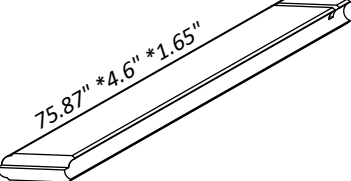

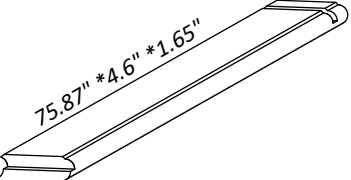
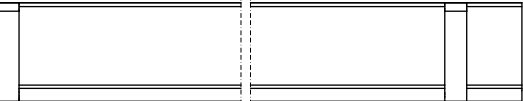
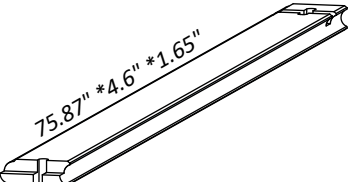
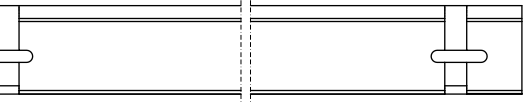
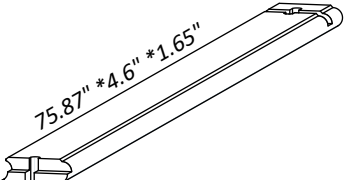
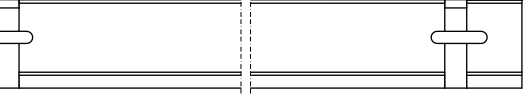
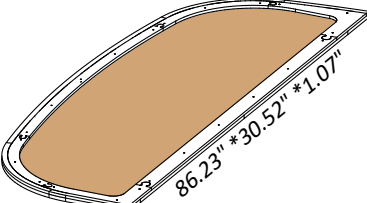

Utility knife

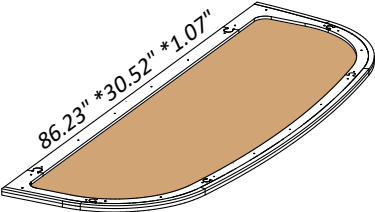
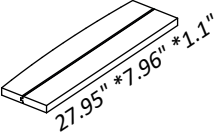
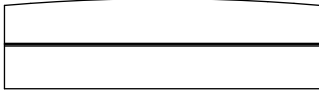
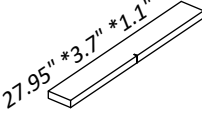
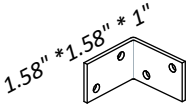
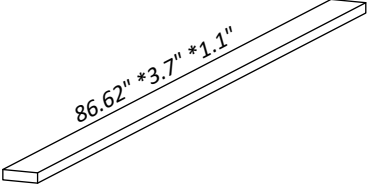
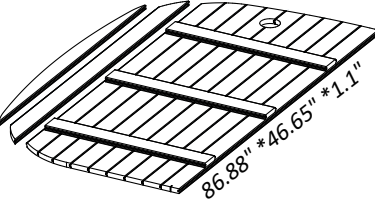
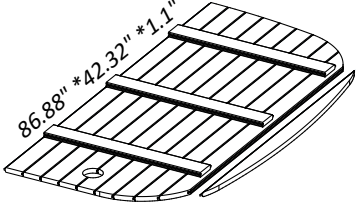
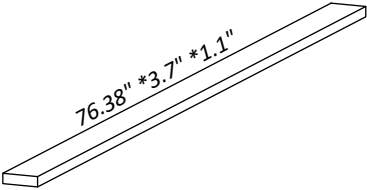
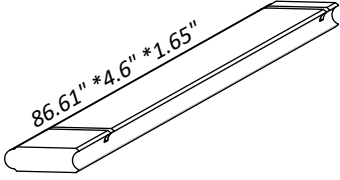
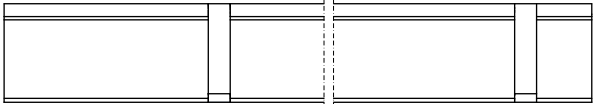
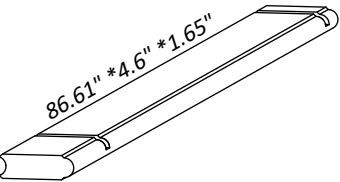
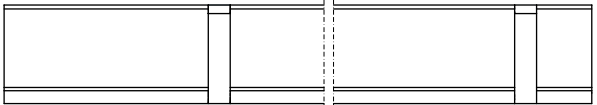


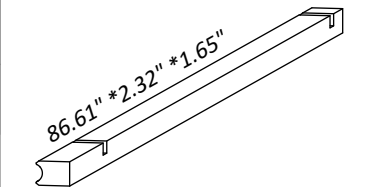
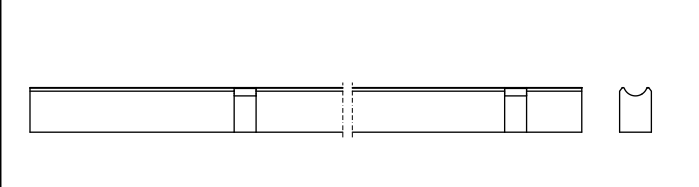
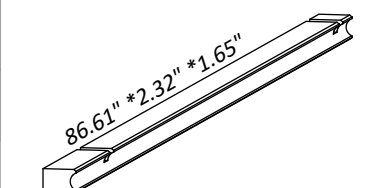
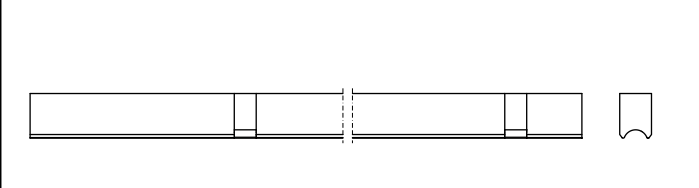
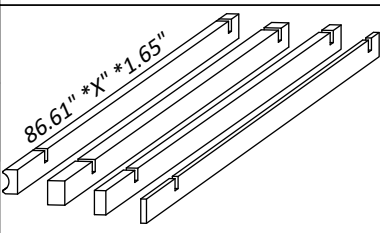
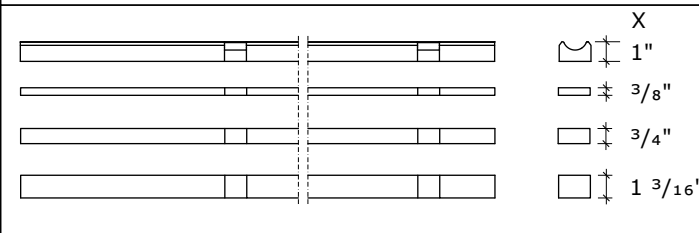
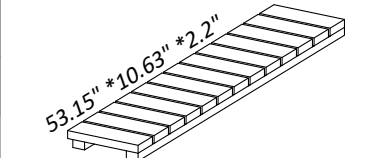
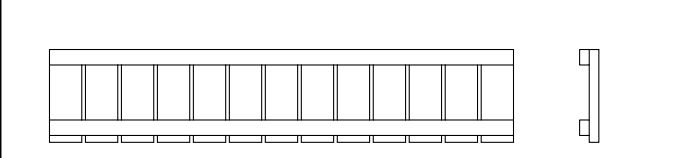
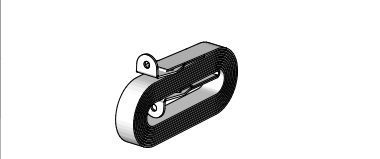
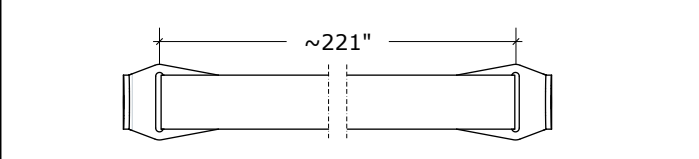
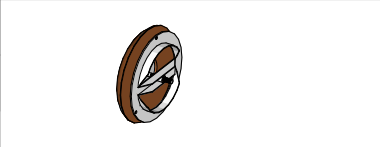

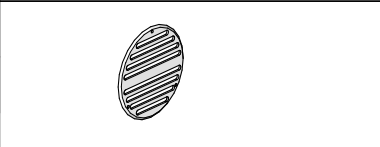
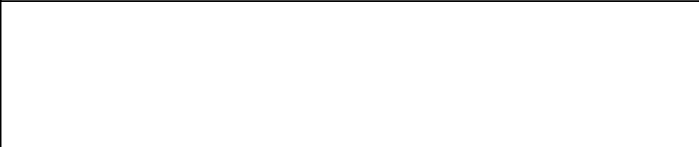
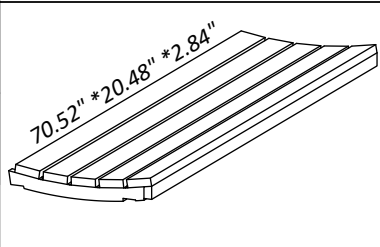
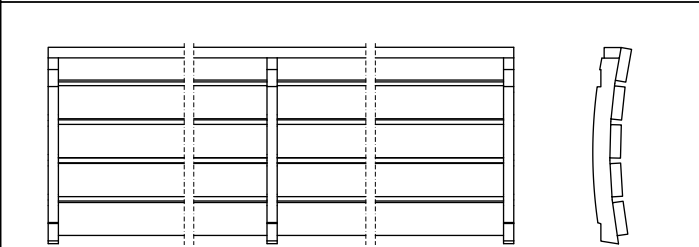
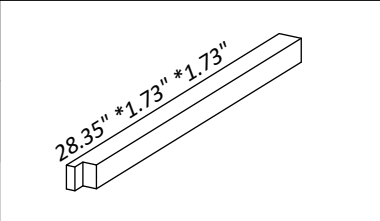
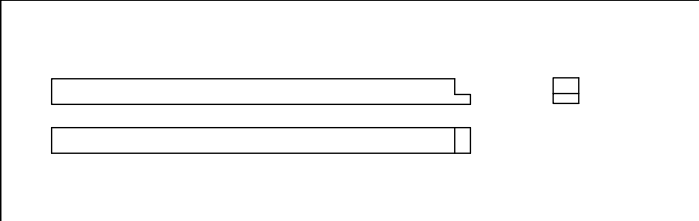
Rubber mallet

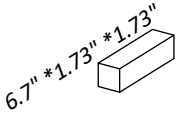
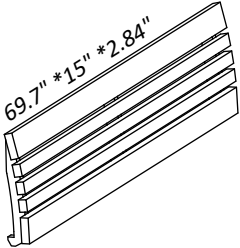
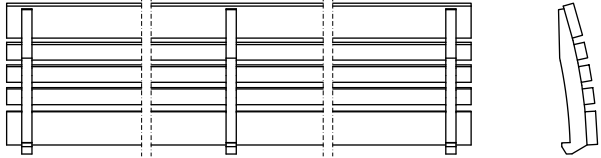
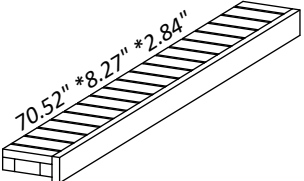

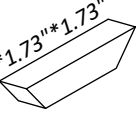

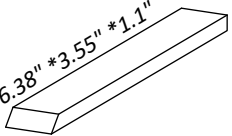
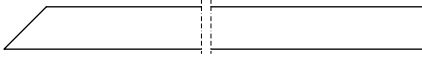
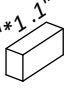
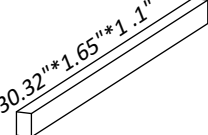
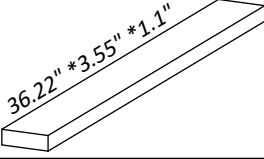
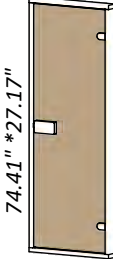
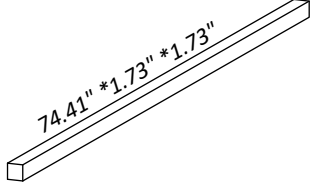


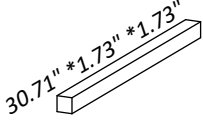
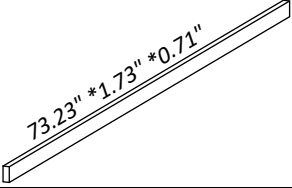
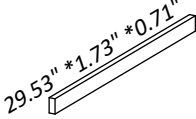
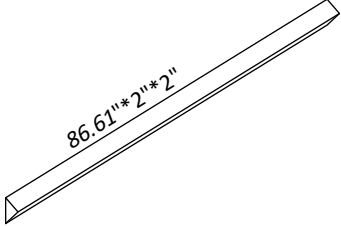

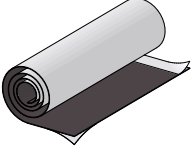
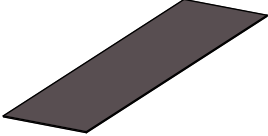

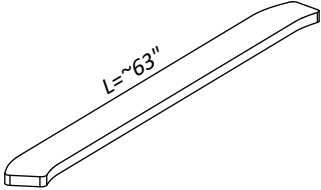
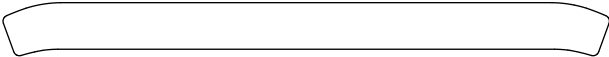
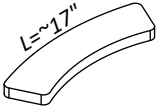

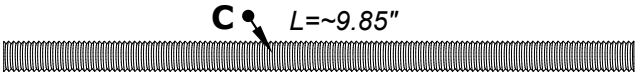






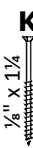
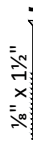
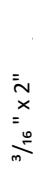
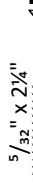
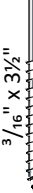
Ratchet strap

<p><b>DET 1</b></p> <p><b>Article.</b> K-SM100/2100XX</p>	<p><b>x2</b></p>		
<p><b>DET 2</b></p> <p><b>Article.</b> K-SM100/1300</p>	<p><b>x6</b></p>		
<p><b>DET 3</b></p> <p><b>Article.</b> T-STL117/1927XLM01</p>	<p><b>x1</b></p>		
<p><b>DET A1</b></p> <p><b>Article.</b> MU-VIT1880-KLZN</p>	<p><b>x3</b></p>		
<p><b>DET W</b></p> <p><b>Article.</b> MU-TRAPP</p>	<p><b>x2</b> kmpł</p>		
<p><b>DET 3b</b></p> <p><b>Article.</b> T-STL117/1927-01V</p>	<p><b>x5</b></p>		
<p><b>DET 3a</b></p> <p><b>Article.</b> T-STL117/1927-01P</p>	<p><b>x5</b></p>		
<p><b>DET 3b/H</b></p> <p><b>Article.</b> T-STL117/1927-02V</p>	<p><b>x1</b></p>		
<p><b>DET 3a/H</b></p> <p><b>Article.</b> T-STL117/1927-02P</p>	<p><b>x1</b></p>		
<p><b>DET Sb</b></p> <p><b>Article.</b> IC26-TE-PR-12/15P</p>	<p><b>x1</b></p>		

<p><b>DET Sa</b></p> <p><b>Article.</b> IC26-TE-PR-12/15V</p>	<p><b>x1</b></p>		
<p><b>DET Ta</b></p> <p><b>Article.</b> T-SL117/710UK1</p>	<p><b>x1</b></p>		
<p><b>DET Tb</b></p> <p><b>Article.</b> T-TL94/710J</p>	<p><b>x1</b></p>		
<p><b>DET V</b></p> <p><b>Article.</b> KI-VIN-25/40/40-ZN</p>	<p><b>x4</b></p>		
<p><b>DET U1</b></p> <p><b>Article.</b> K-TL94/2200</p>	<p><b>x1</b></p>		
<p><b>DET Y1</b></p> <p><b>Article.</b> T-IC26-PTS/28-V</p>	<p><b>x1</b></p>		
<p><b>DET Y2</b></p> <p><b>Article.</b> T-IC26-PTS/28-P</p>	<p><b>x1</b></p>		
<p><b>DET U2</b></p> <p><b>Article.</b> K-TL94/1940</p>	<p><b>x1</b></p>		
<p><b>DET 3d</b></p> <p><b>Article.</b> T-STL117/2200-01V</p>	<p><b>x31</b></p>		
<p><b>DET 3c</b></p> <p><b>Article.</b> T-STL117/2200-01P</p>	<p><b>x30</b></p>		

<p><b>DET 6a</b></p> <p><b>Article.</b> T-STL117/2200XL-01P</p>	<p><b>x1</b></p>		
<p><b>DET 6b</b></p> <p><b>Article.</b> T-STL117/2200XL-01V</p>	<p><b>x1</b></p>		
<p><b>DET 6c/d/e/f</b></p> <p><b>Article.</b> T-STL117/2200KO-01</p>	<p><b>x1</b></p>		
<p><b>DET 4</b></p> <p><b>Article.</b> T-TEMOD-1350/270</p>	<p><b>x1</b></p>		
<p><b>DET A2</b></p> <p><b>Article.</b> MU-VIT5600-KLZN</p>	<p><b>x3</b></p>		
<p><b>DET G</b></p> <p><b>Article.</b> MU-VENT-100-PU</p>	<p><b>x1</b></p>		
<p><b>DET F</b></p> <p><b>Article.</b> MU-VENT-100-ZN</p>	<p><b>x3</b></p>		
<p><b>DET 10</b></p> <p><b>Article.</b> TL-LAMOD-1791-KA01</p>	<p><b>x2</b></p>		
<p><b>DET 10b</b></p> <p><b>Article.</b> K-HP44/720XP01</p>	<p><b>x4</b></p>		

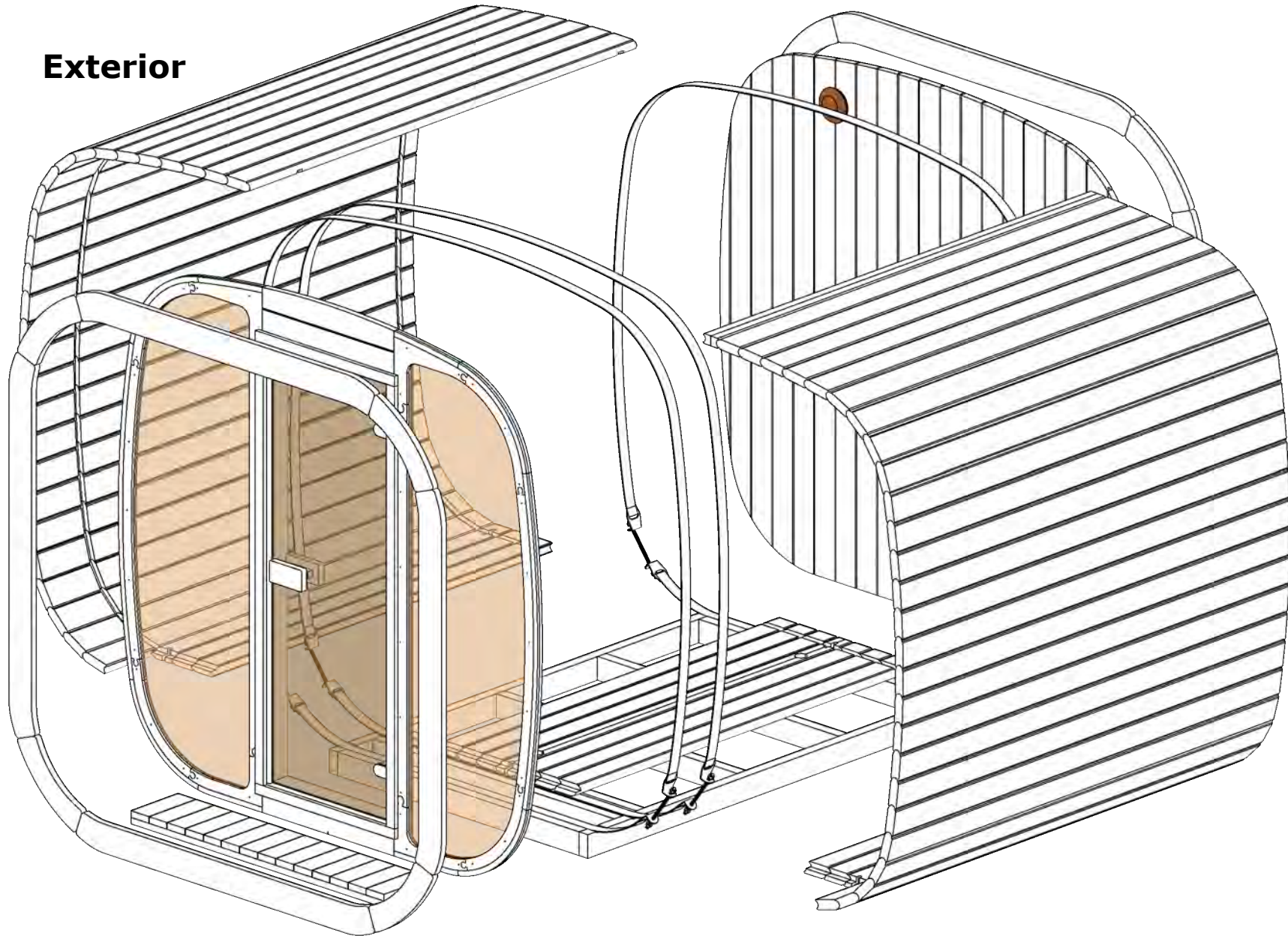
<p><b>DET 10c</b></p> <p><b>Article.</b> K-HP44/170</p>	<p><b>x6</b></p>	 <p>6.7" * 1.73" * 1.73"</p>	
<p><b>DET 11</b></p> <p><b>Article.</b> TL-STMOD-1770-KA01</p>	<p><b>x2</b></p>	 <p>69.7" * 15" * 2.84"</p>	
<p><b>DET 12</b></p> <p><b>Article.</b> TL-LAMOD-1791/210</p>	<p><b>x2</b></p>	 <p>70.52" * 8.27" * 2.84"</p>	
<p><b>DET 12a</b></p> <p><b>Article.</b> K-HP44/250XP-XP</p>	<p><b>x4</b></p>	 <p>9.85" * 1.73" * 1.73"</p>	
<p><b>DET 15a</b></p> <p><b>Article.</b> TL-LAV90/670XP</p>	<p><b>x2</b></p>	 <p>26.38" * 3.55" * 1.1"</p>	
<p><b>DET 15b</b></p> <p><b>Article.</b> TL-LAV42/90</p>	<p><b>x2</b></p>	 <p>3.55" * 1.65" * 1.1"</p>	
<p><b>DET 15c</b></p> <p><b>Article.</b> TL-LAV42/770</p>	<p><b>x2</b></p>	 <p>30.32" * 1.65" * 1.1"</p>	
<p><b>DET 15d</b></p> <p><b>Article.</b> TL-LAV90/920</p>	<p><b>x1</b></p>	 <p>36.22" * 3.55" * 1.1"</p>	
<p><b>DET 21</b></p> <p><b>Article.</b> U-KL-7/19-PR</p>	<p><b>x1</b></p>	 <p>74.41" * 27.17"</p>	
<p><b>DET 21c</b></p> <p><b>Article.</b> K-HP44/1890</p>	<p><b>x2</b></p>	 <p>74.41" * 1.73" * 1.73"</p>	

<p><b>DET 21d</b></p> <p><b>Article.</b> K-HP44/780</p>	<p><b>x2</b></p>		
<p><b>DET 21a</b></p> <p><b>Article.</b> K-HL44/1860</p>	<p><b>x2</b></p>		
<p><b>DET 21b</b></p> <p><b>Article.</b> K-HL44/750</p>	<p><b>x2</b></p>		
<p><b>DET 22</b></p> <p><b>Article.</b> T-STL-2200-XX</p>	<p><b>x2</b></p>		
<p><b>Underlay felt</b></p> <p><b>Article.</b> KAT-AL</p>	<p><b>39' 5"</b></p>		
<p><b>DET N</b></p> <p><b>Article.</b> KAT-HAR-MUST</p>	<p><b>x9</b></p>		
<p><b>DET O</b></p> <p><b>Article.</b> KAT-SIN-MUST</p>	<p><b>x77</b></p>		
<p><b>DET 25a</b></p> <p><b>Article.</b> MU-OL-IC-226-1</p>	<p><b>x8</b></p>		
<p><b>DET 25b</b></p> <p><b>Article.</b> MU-OL-IC-226-2</p>	<p><b>x8</b></p>		
<p><b>Article.</b> KI-KERL-12-RV6</p>  <p><b>D</b>  x12</p> <p><b>E</b>  x12</p> <p> x6</p>		<p><b>Article.</b> KI-USA-ICO-226</p> <p>Bit PH2  </p> <p>Torx bits T10 T15 T20 T25</p> <p><b>L</b>  ~430</p> <p><b>K</b>  1/8" x 1 1/4" x20</p> <p><b>J</b>  1/8" x 1 1/2" x60</p> <p><b>I</b>  3/16" x 2" x40</p> <p><b>H</b>  5/32" x 2 1/4" x340</p> <p><b>M</b>  3/16" x 3 1/2" x80</p>	

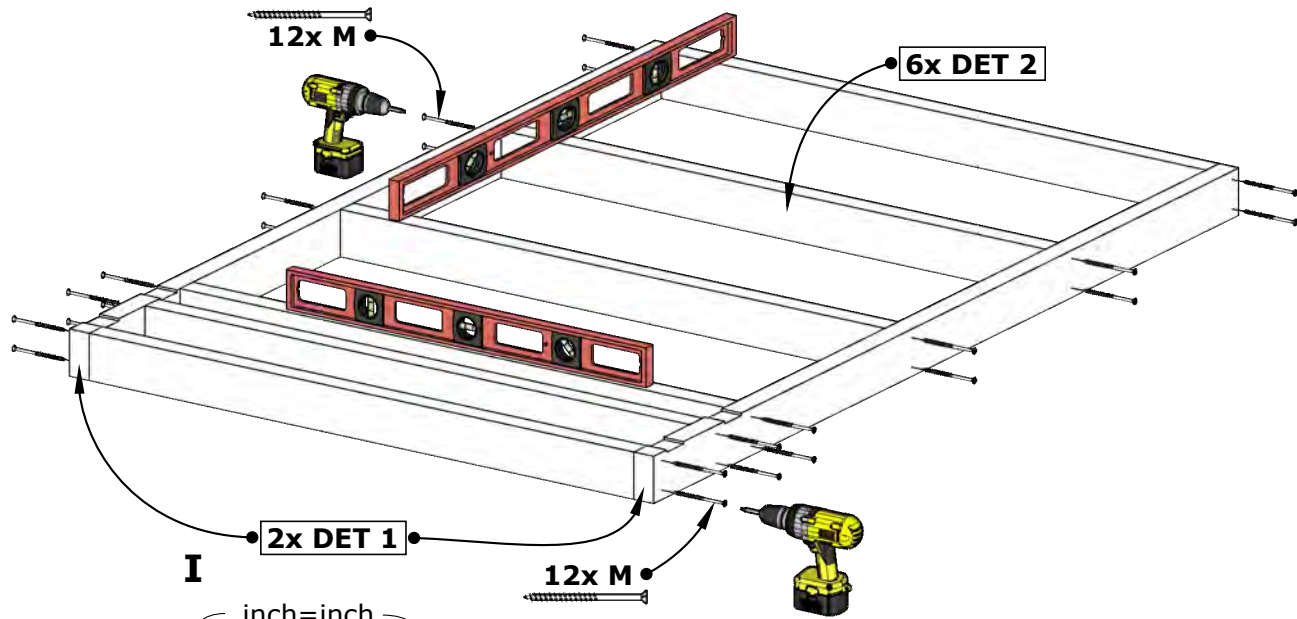


**CL7G Outdoor Sauna 87D" x 91W" x 93H"**

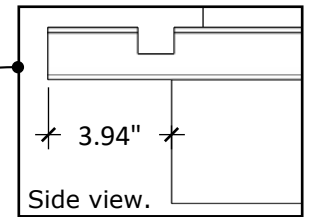
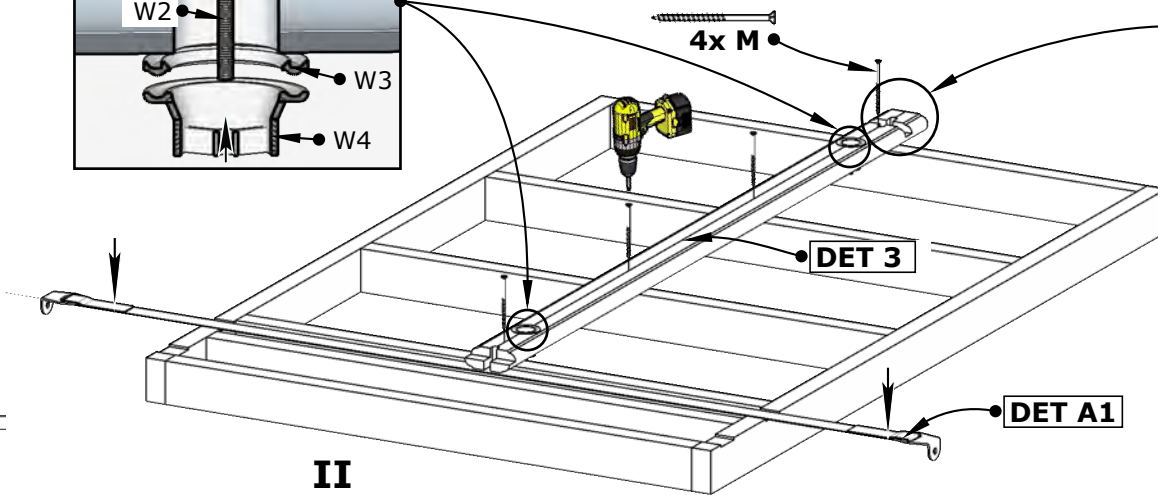
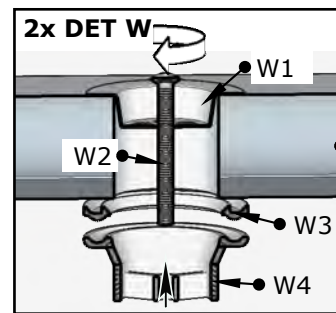
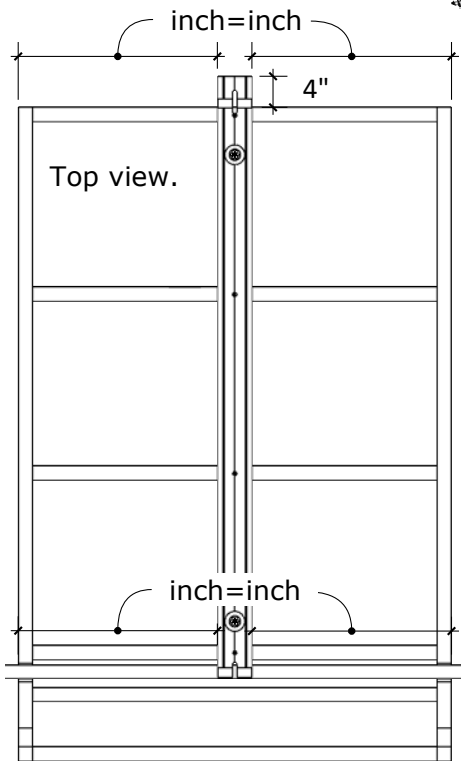
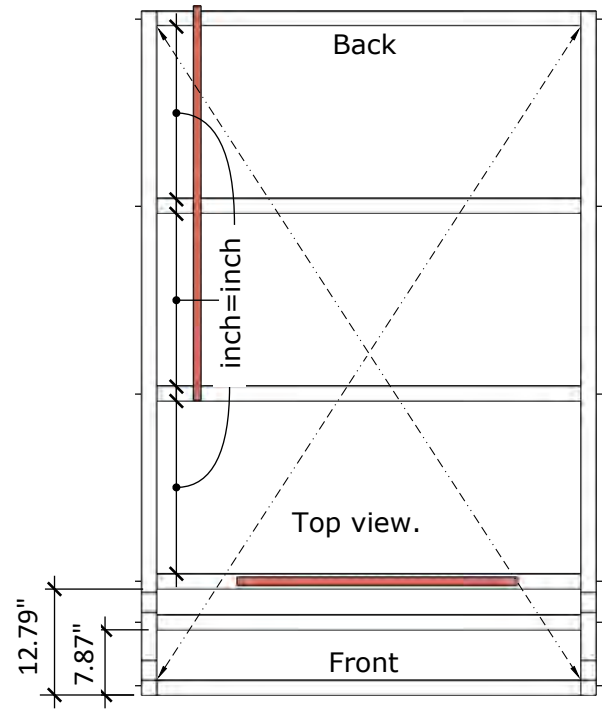
**Exterior**



# CL7G Outdoor Sauna 87D" x 91W" x 93H"

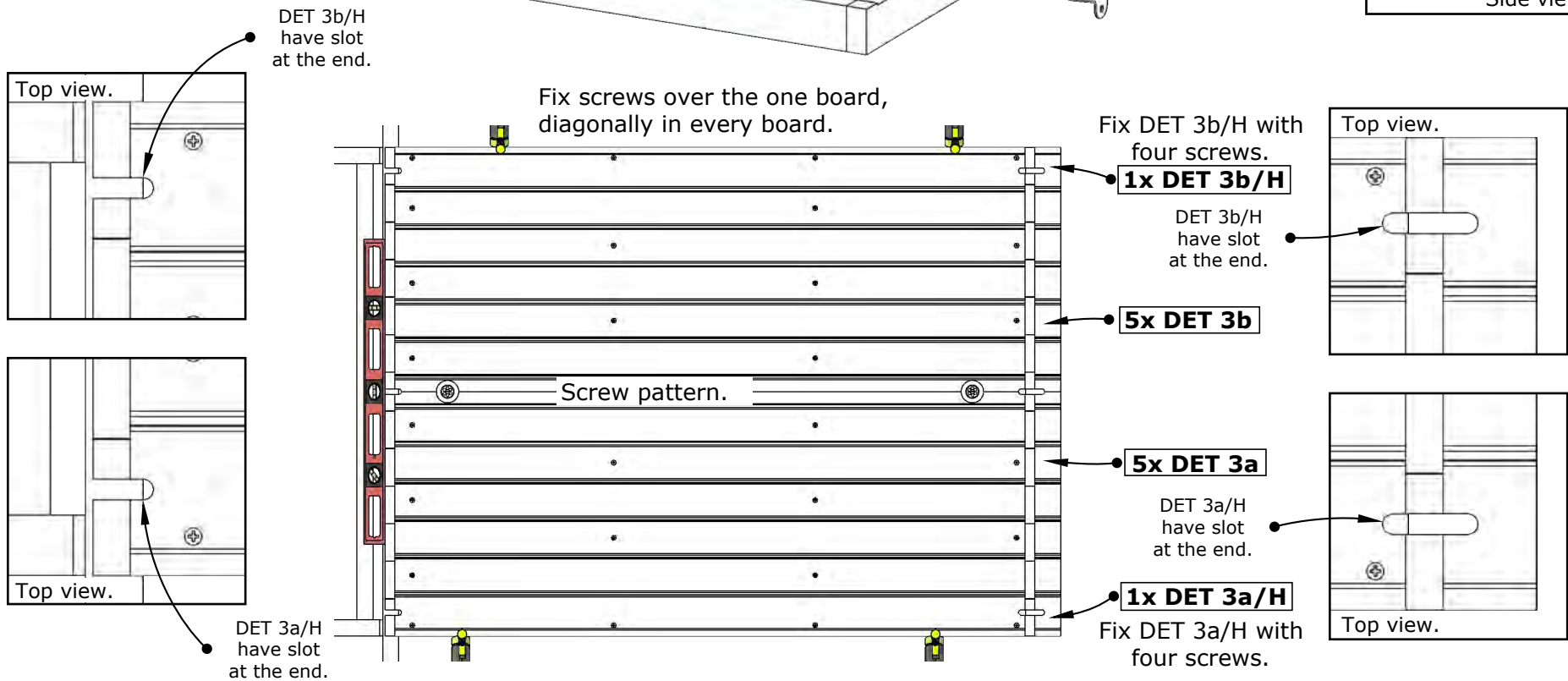
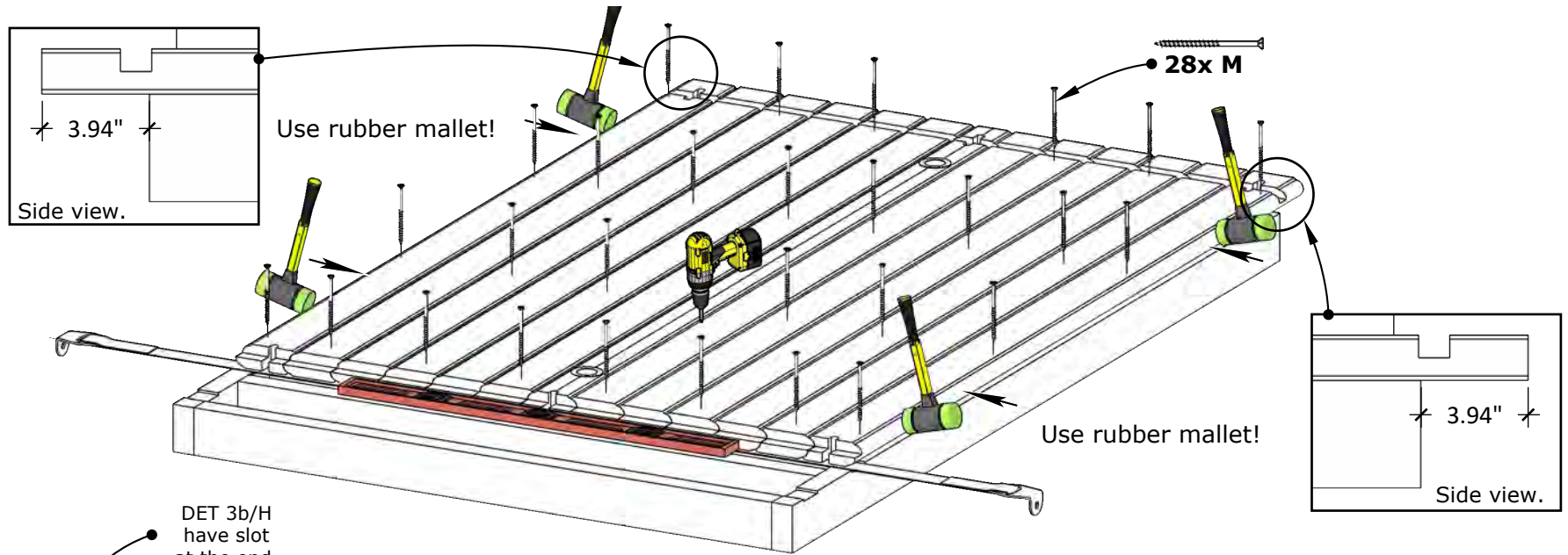


Diagonal measurements should be equal!



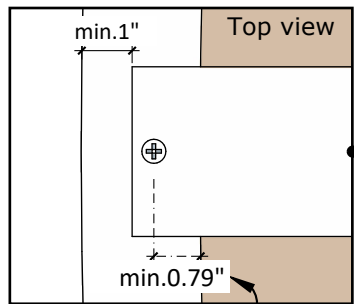
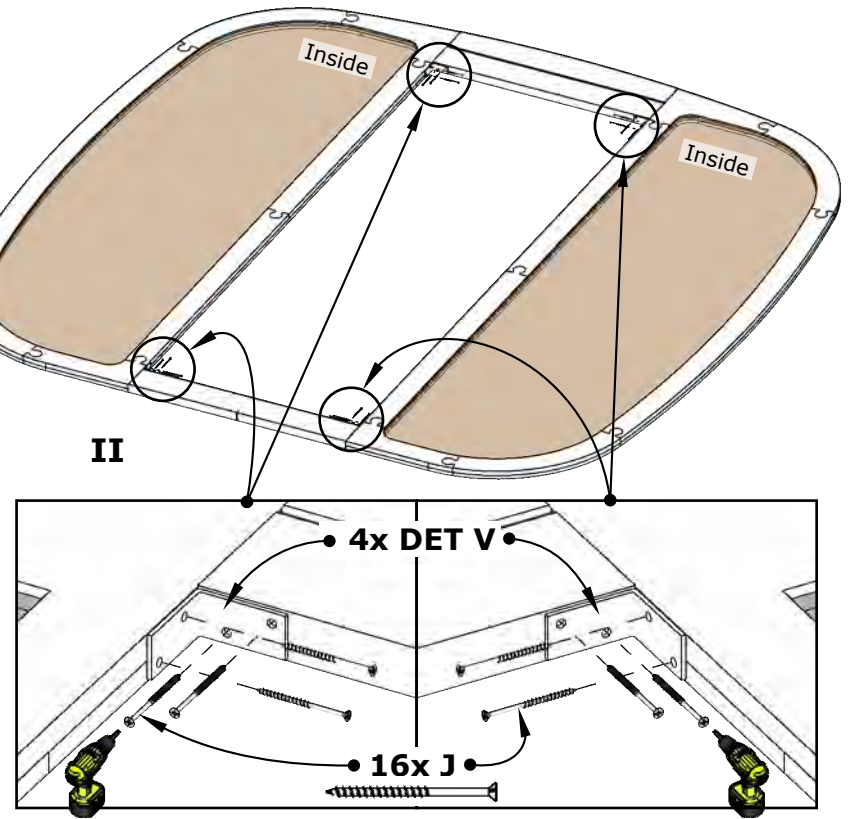
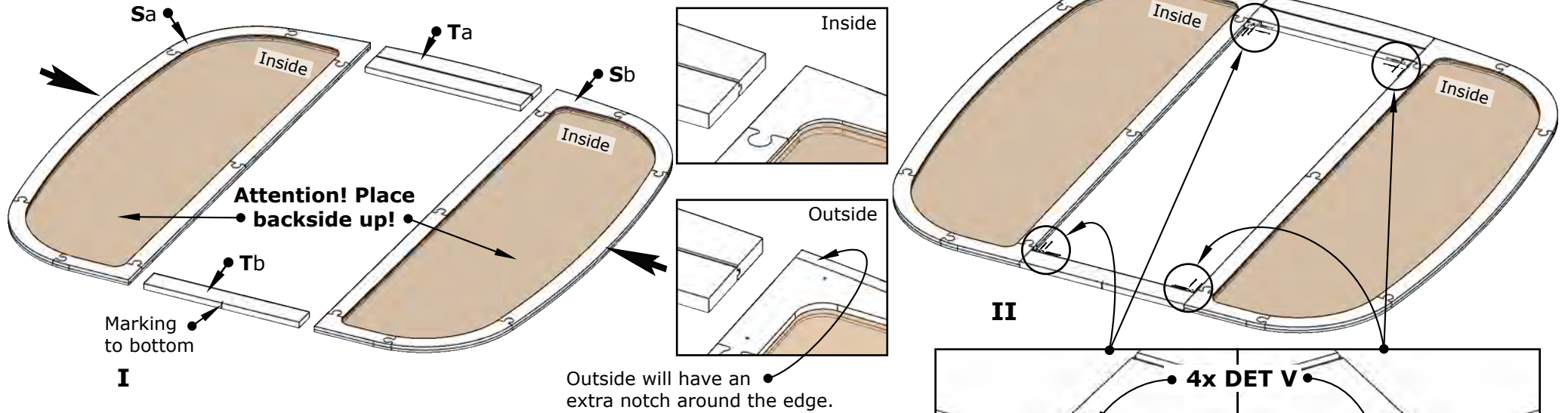
**Attention!**  
Install DET A1  
before DET 3.

# CL7G Outdoor Sauna 87D" x 91W" x 93H"

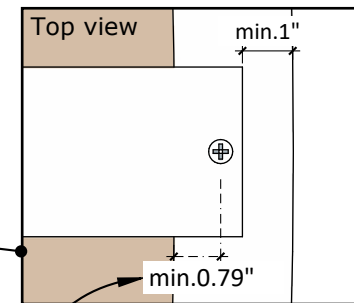
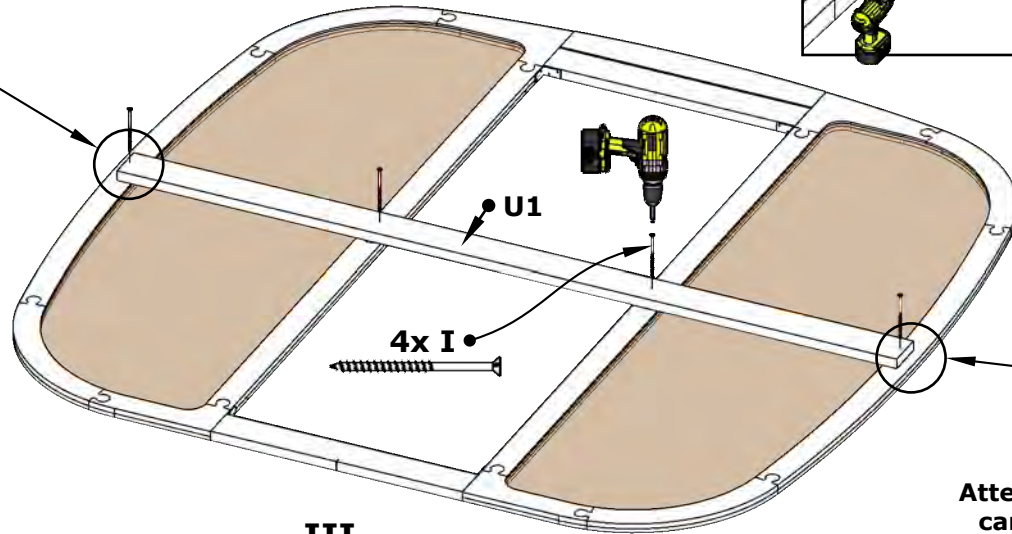


# CL7G Outdoor Sauna 87D" x 91W" x 93H"

## Front glass-wall assembly



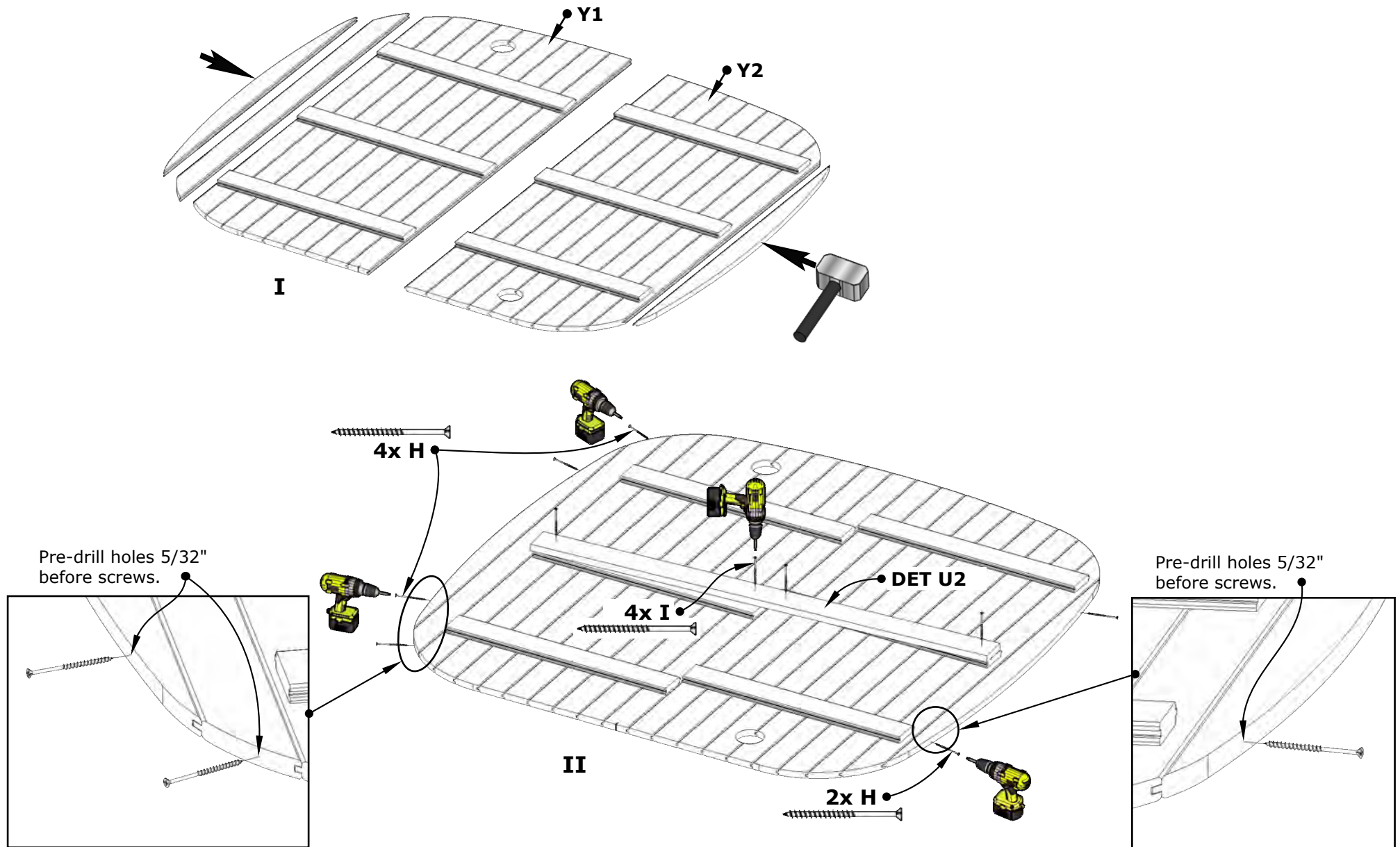
Attention! Be extra careful to not hit the glass!!!



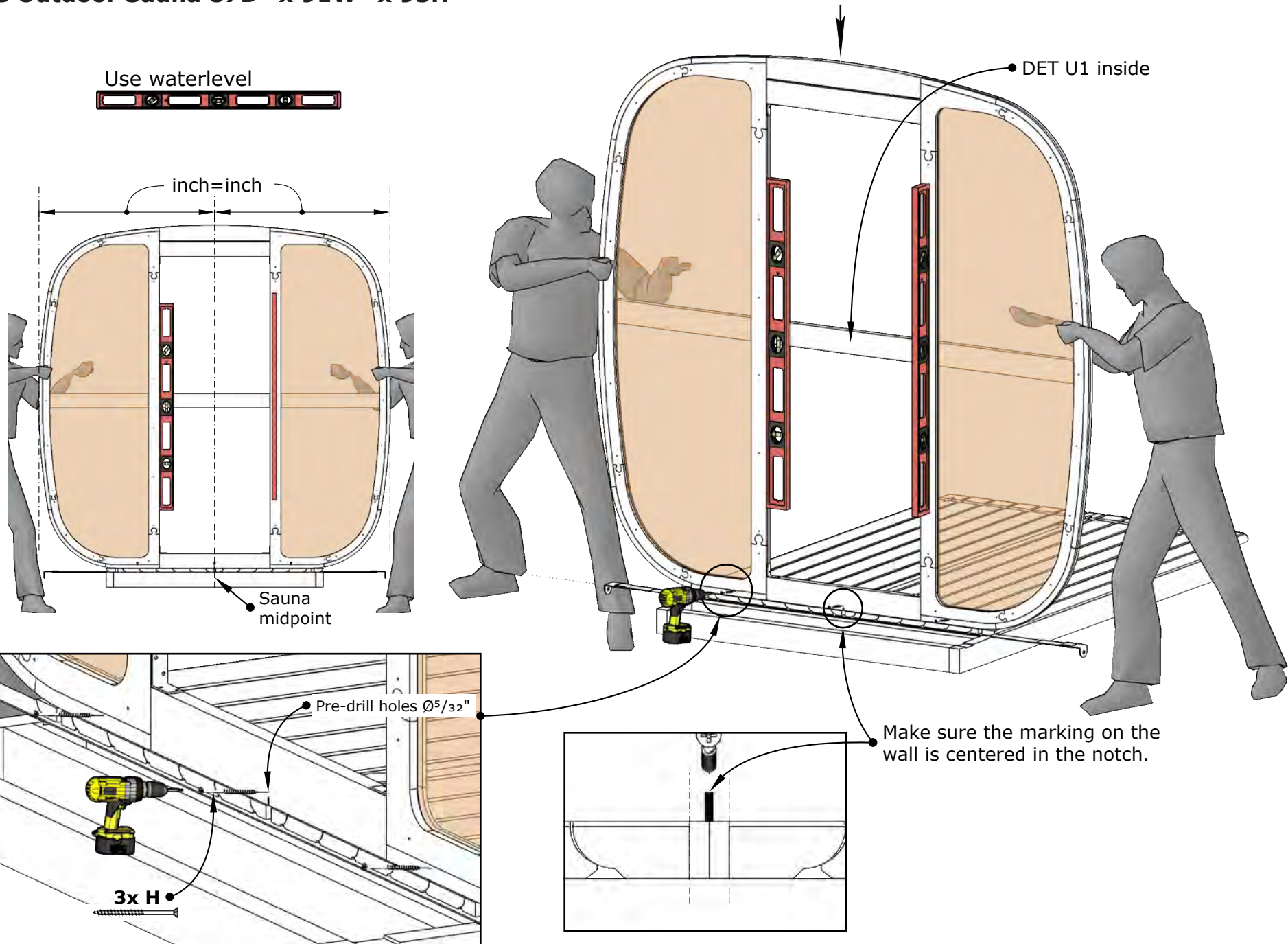
Attention! Be extra careful to not hit the glass!!!

# CL7G Outdoor Sauna 87D" x 91W" x 93H"

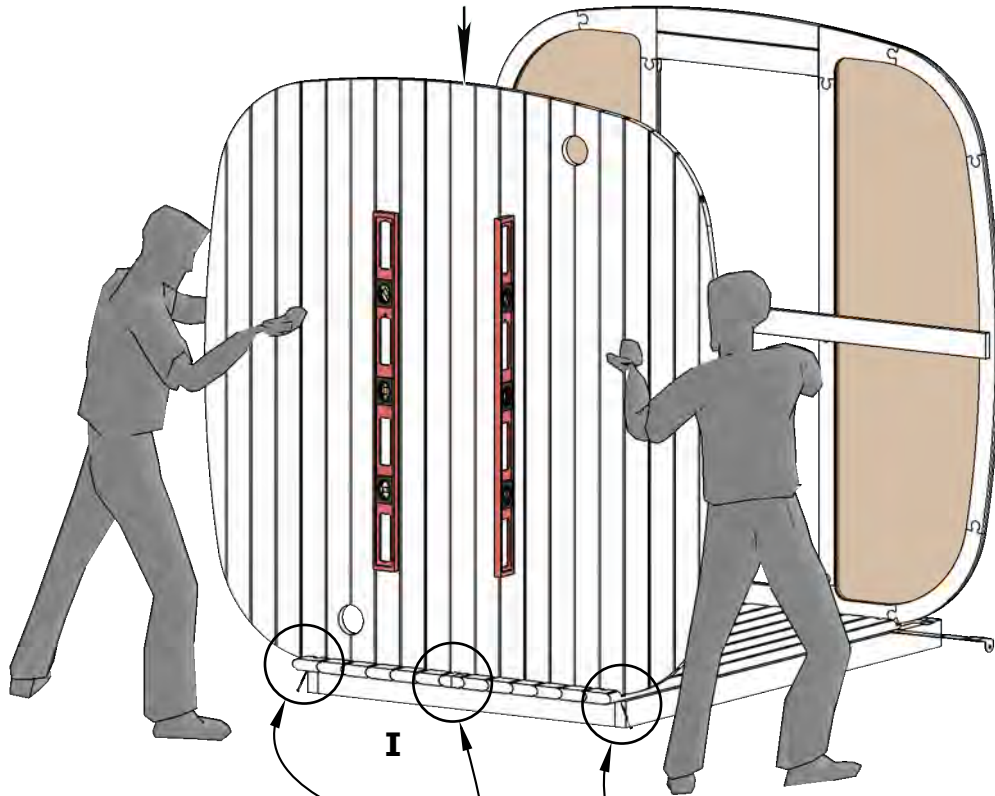
## Wooden back wall assembly



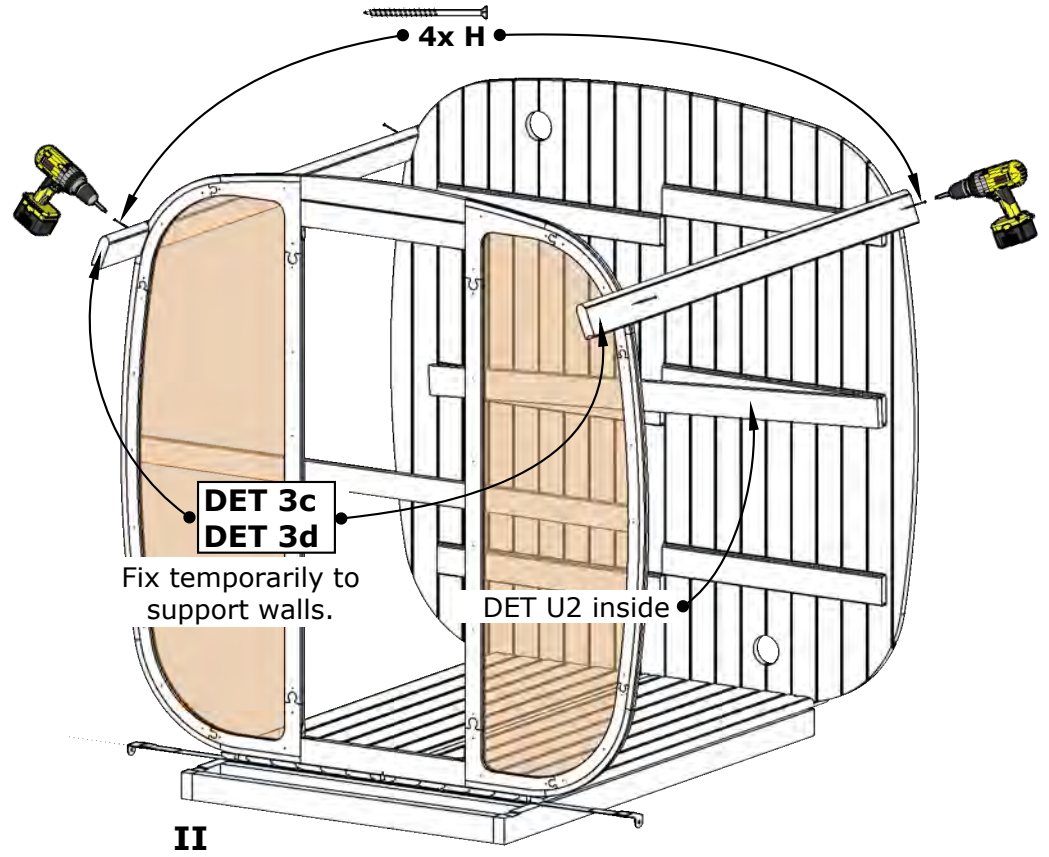
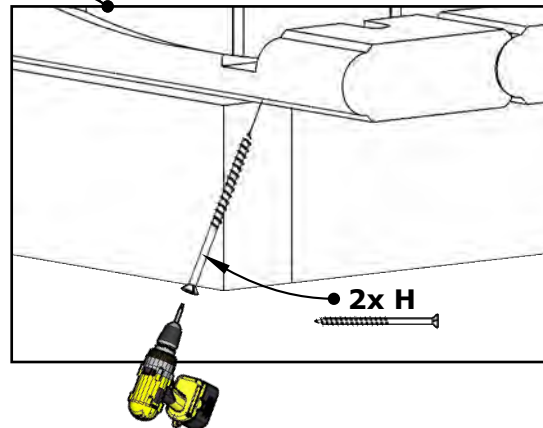
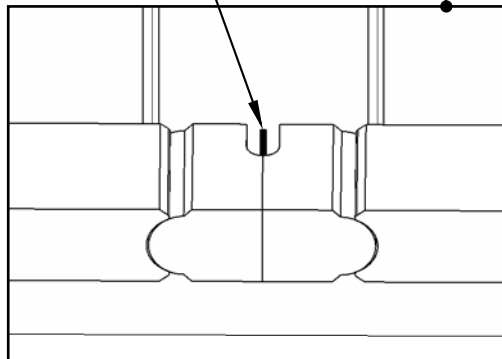
# CL7G Outdoor Sauna 87D" x 91W" x 93H"



# CL7G Outdoor Sauna 87D" x 91W" x 93H"



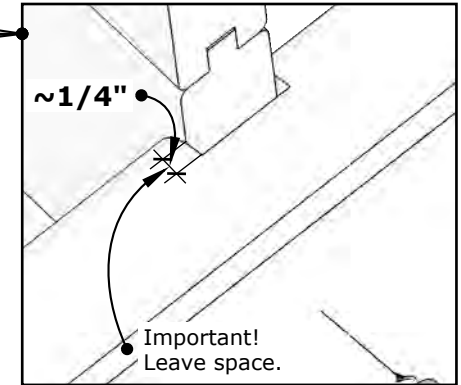
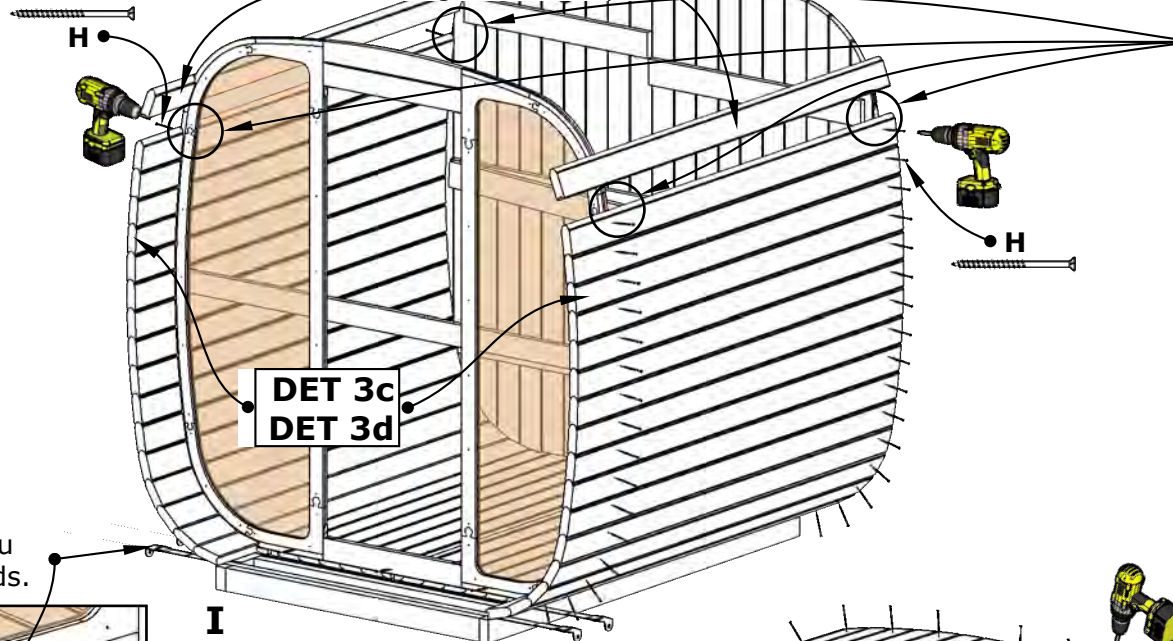
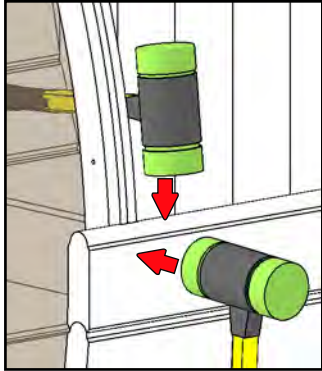
Make sure the marking on the wall is centered in the notch.



# CL7G Outdoor Sauna 87D" x 91W" x 93H"

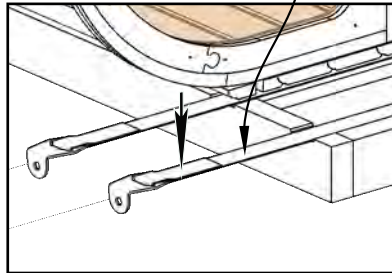
Remove DET 3c/d from their temporary positions and use during the next step.

Use rubber mallet!

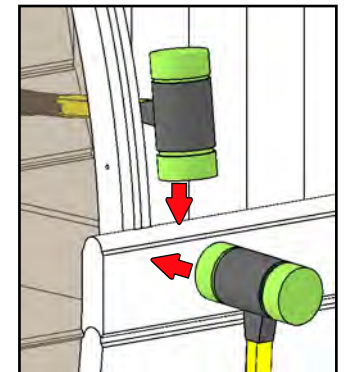
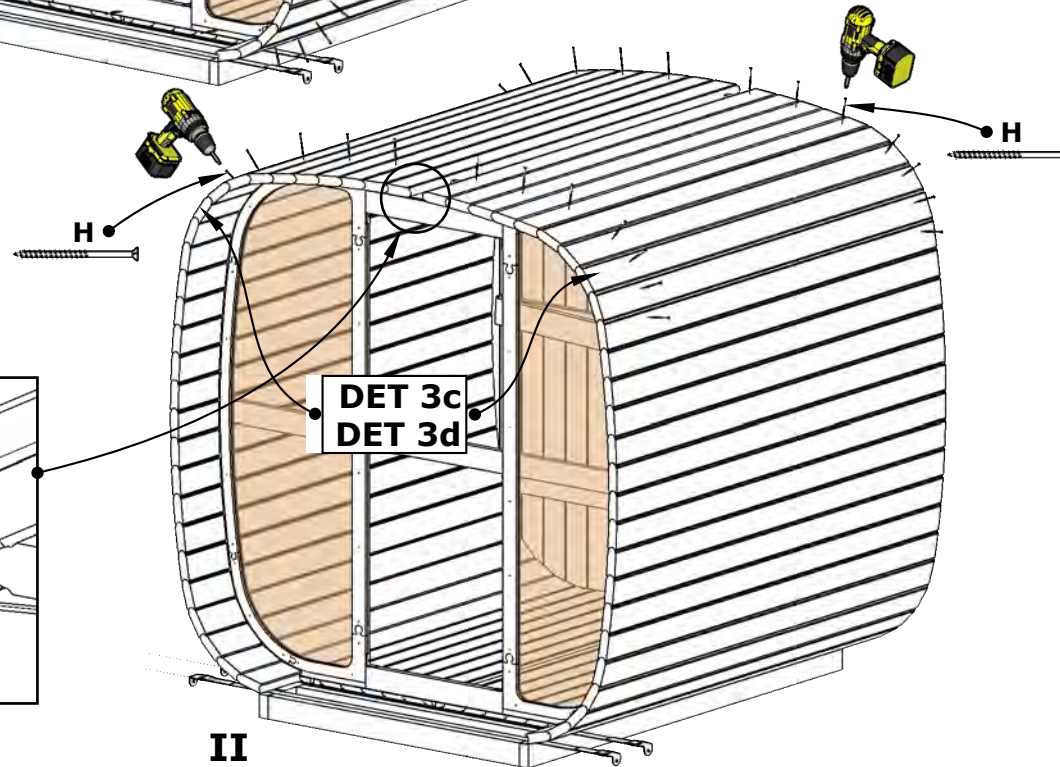
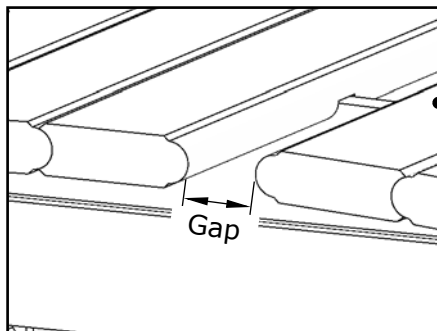


IMPORTANT! Be sure to leave a 1/4" gap when tightening screws to leave room for adjustment when the outer bands (A2) are installed.

Place DET A1 before you start installing wallboards.



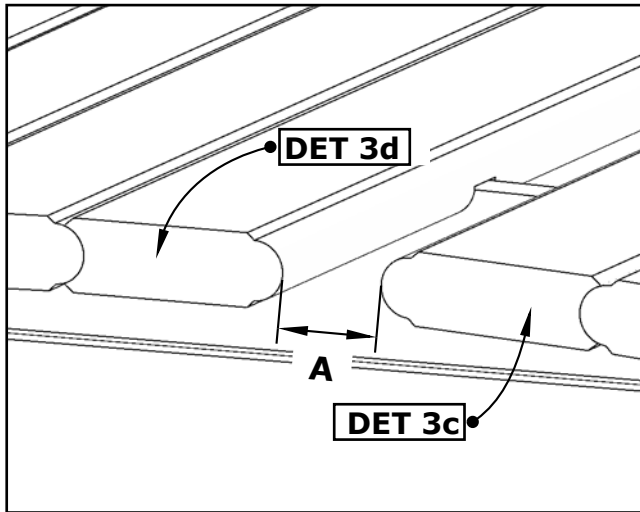
See the next page.



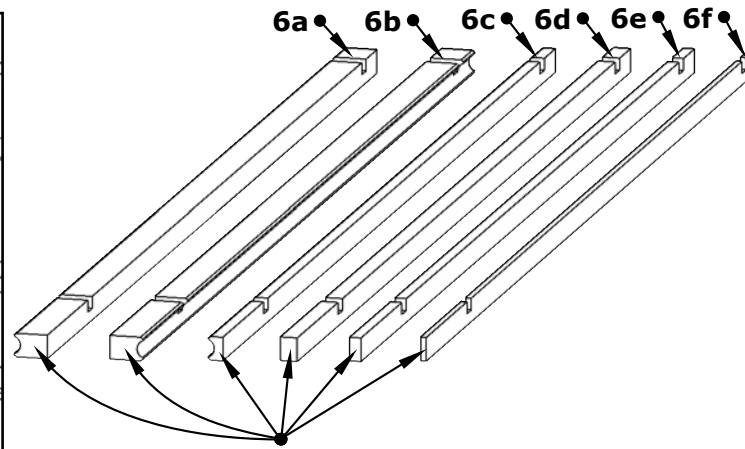
Use rubber mallet!



CL7G Outdoor Sauna 87D" x 91W" x 93H"

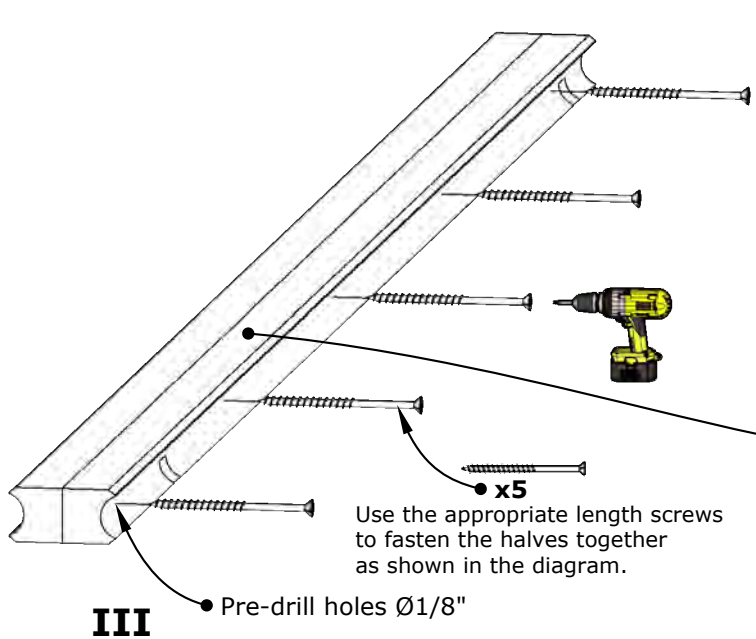
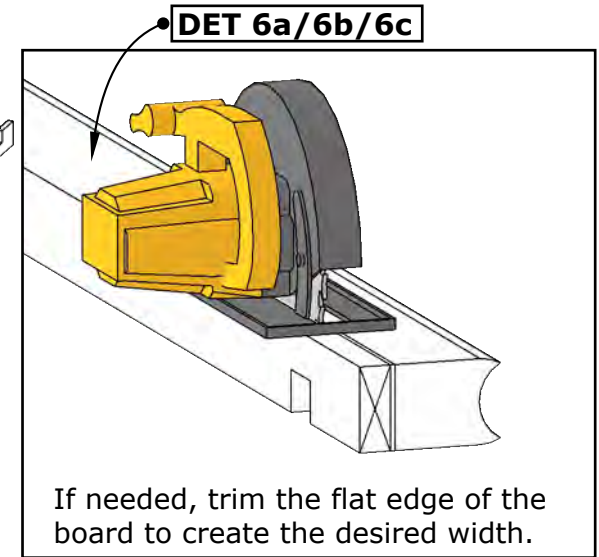


**I**



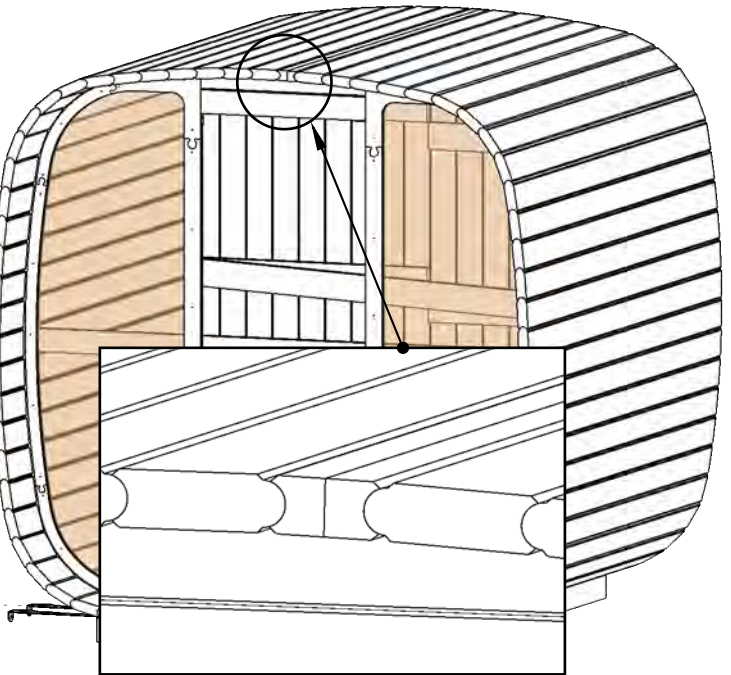
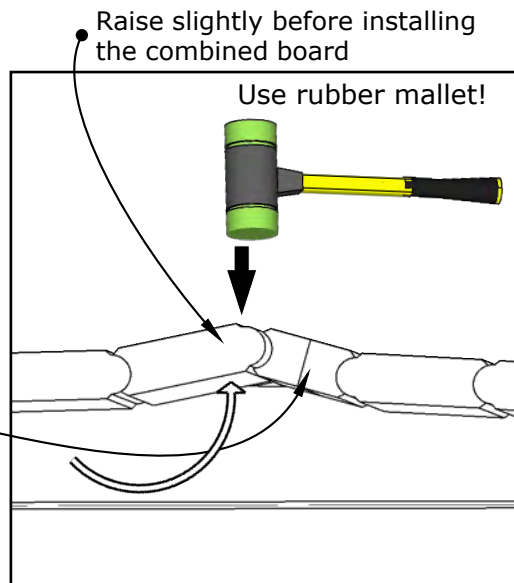
Join boards together (as shown in diagram III) that will bridge the width of the "A" gap. It is recommended that the combined boards are approximately 1/4" wider than the gap.

**II**



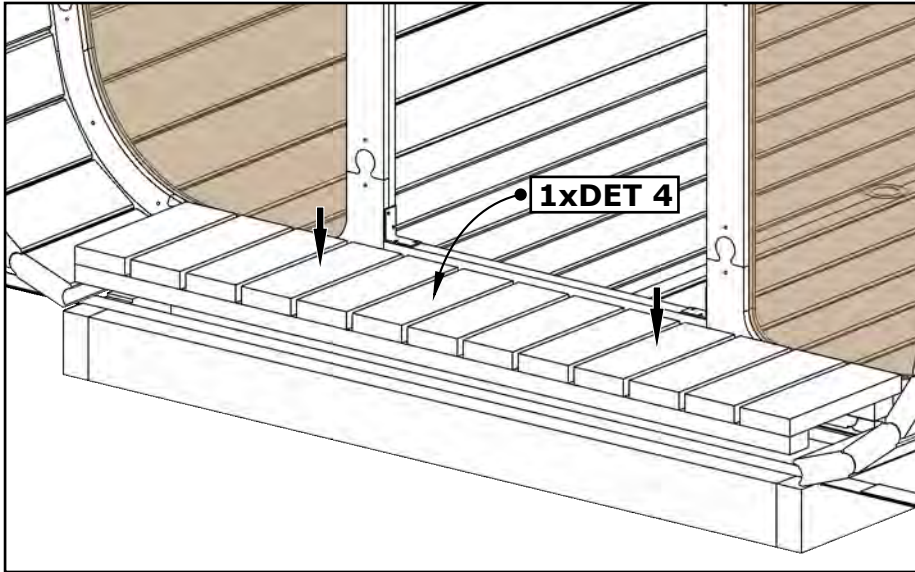
**III**

• Pre-drill holes Ø1/8"

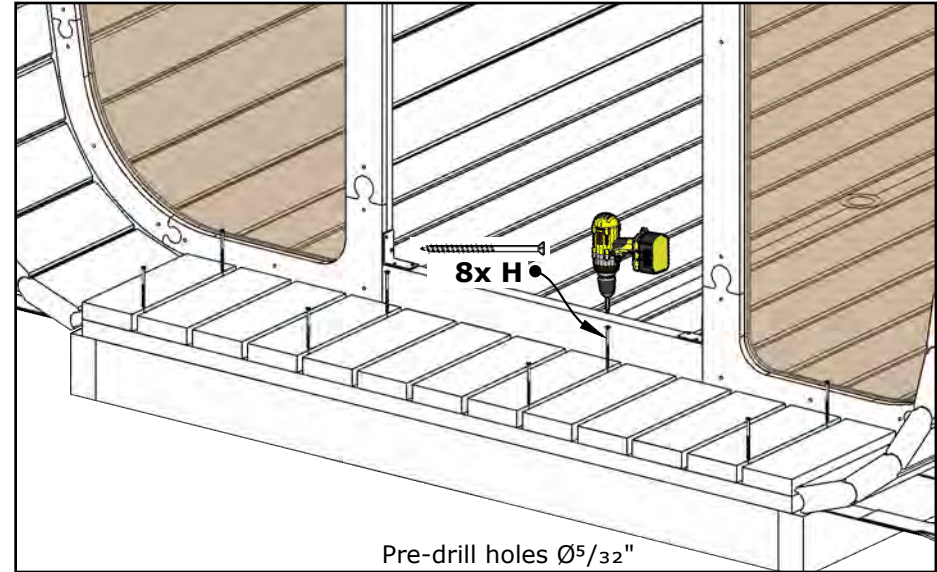


**IV**

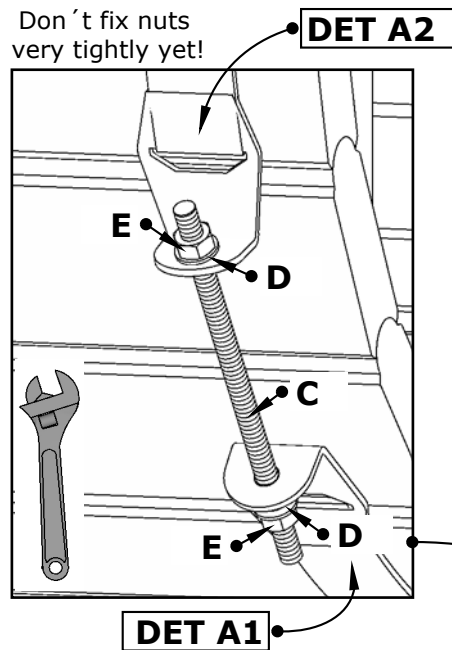
# CL7G Outdoor Sauna 87D" x 91W" x 93H"



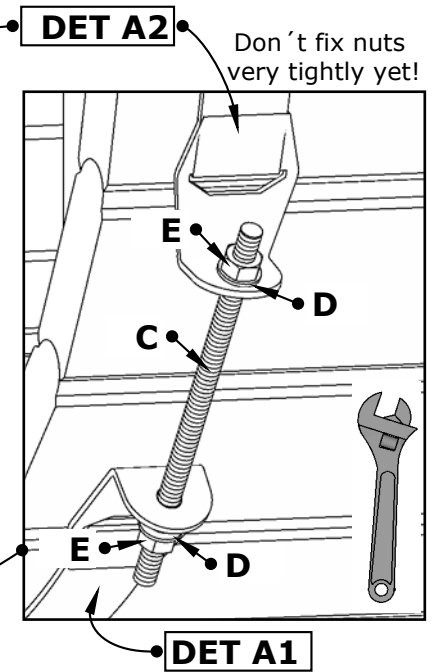
I



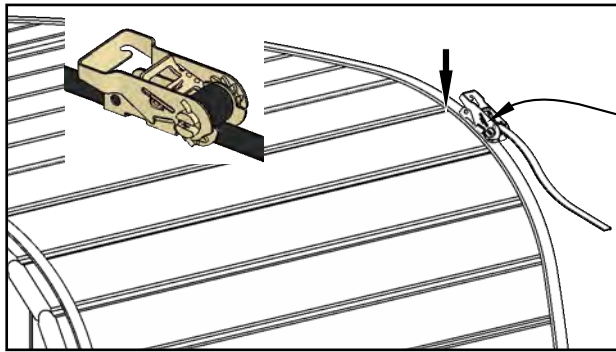
II



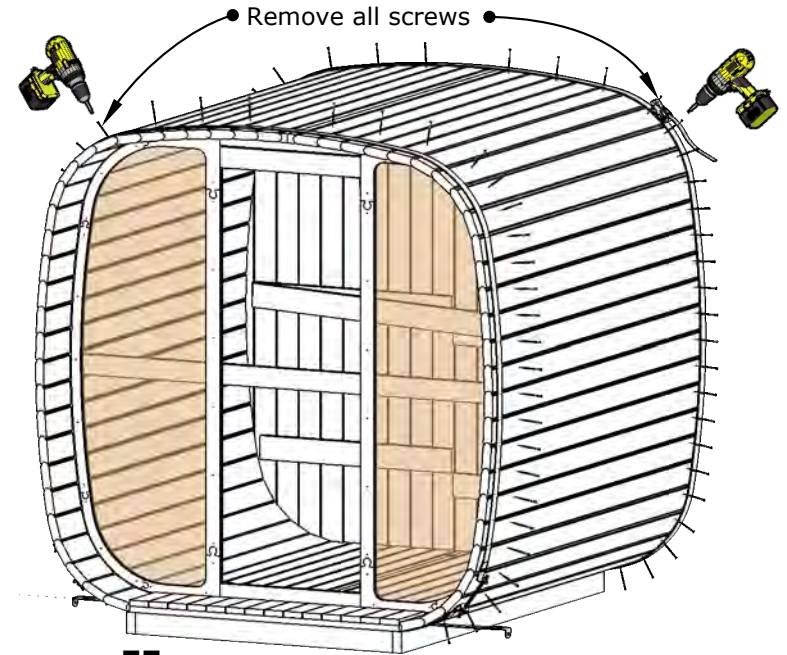
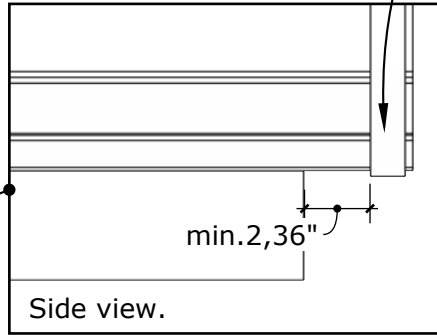
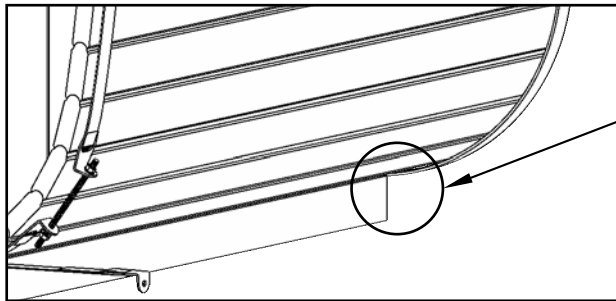
III



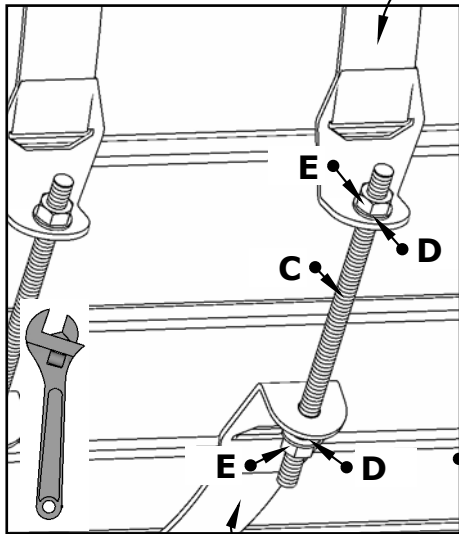
# CL7G Outdoor Sauna 87D" x 91W" x 93H"



Place ratchet strap near the ends of the boards. Pay attention to measurement.

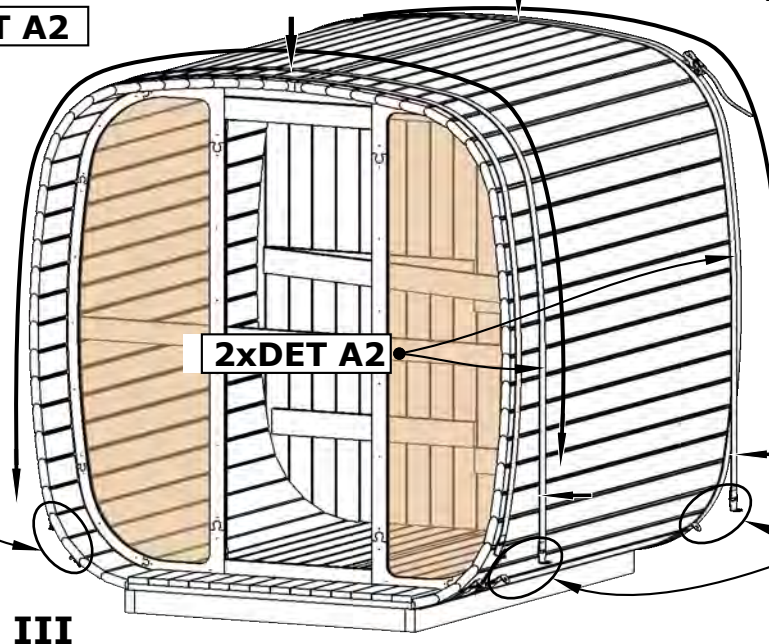


**I** Now fix all nuts tightly!

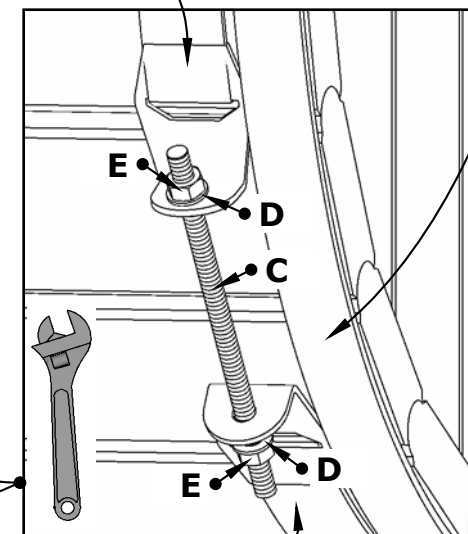


Attention! Tighten all nuts securely!

**DET A1**



**II** Now fix all nuts tightly! Remove ratchet strap!

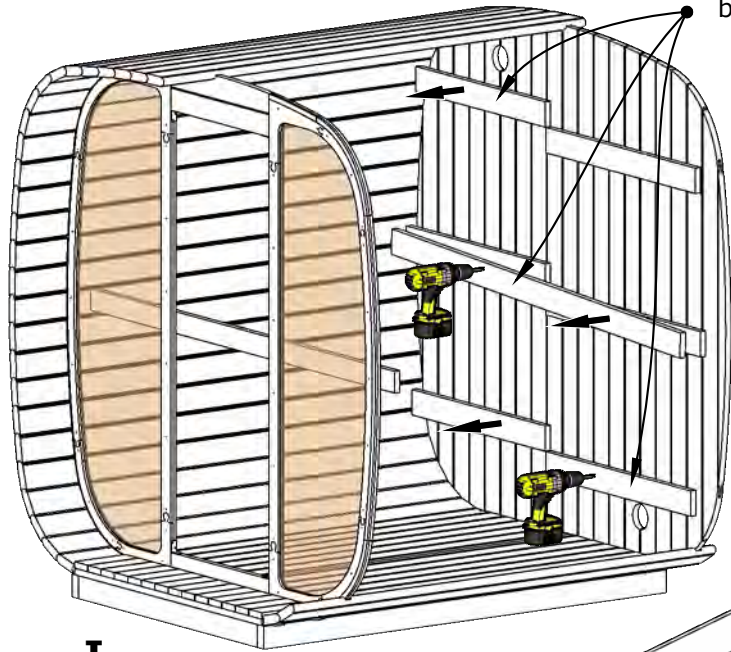


**DET A1**

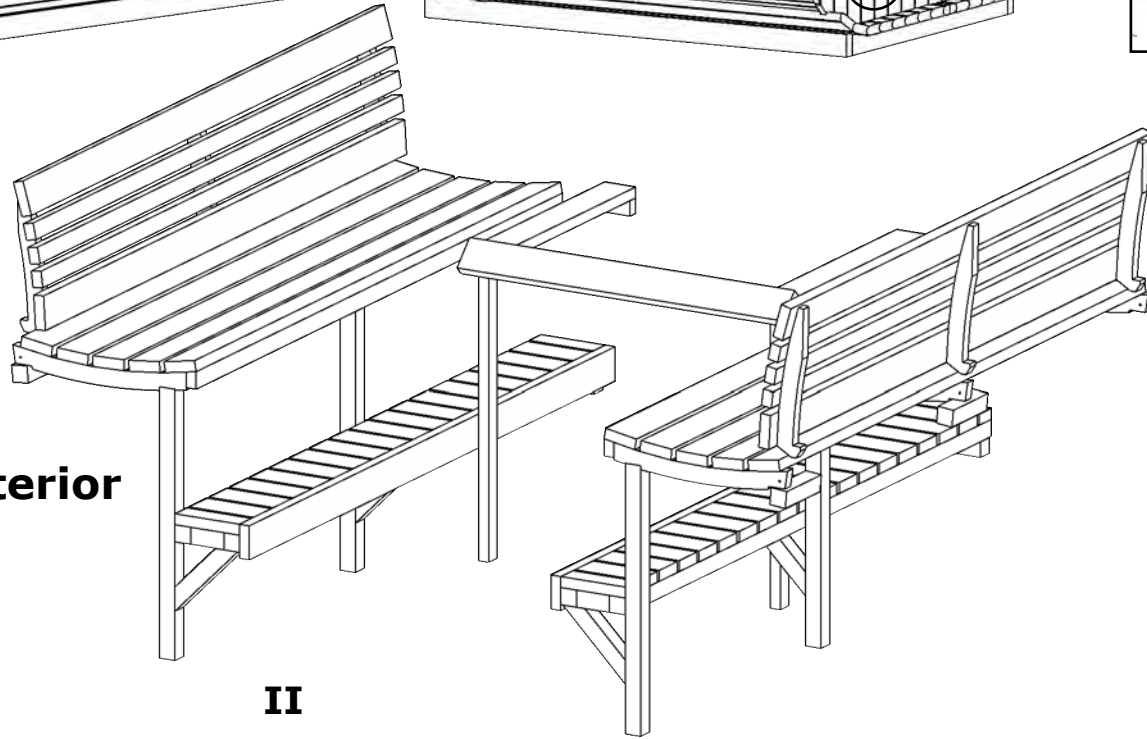
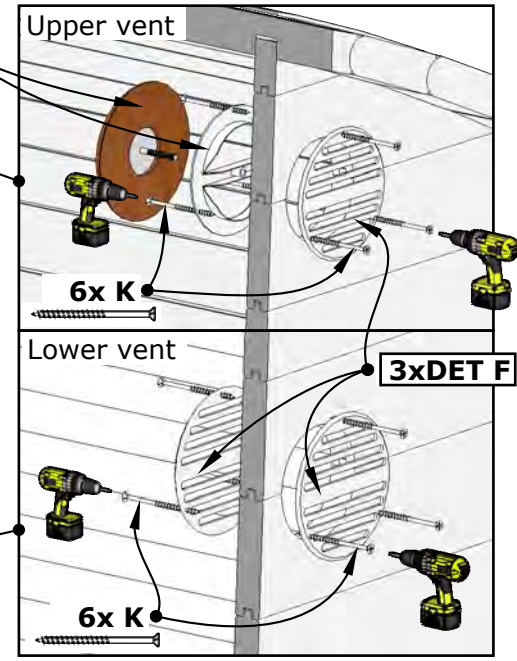
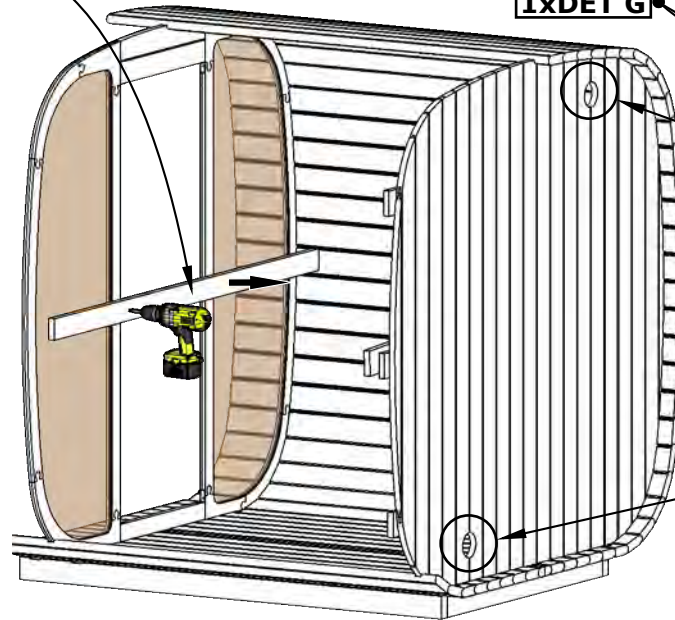
Attention! Tighten all nuts securely!

# CL7G Outdoor Sauna 87D" x 91W" x 93H"

Remove all temporary braces



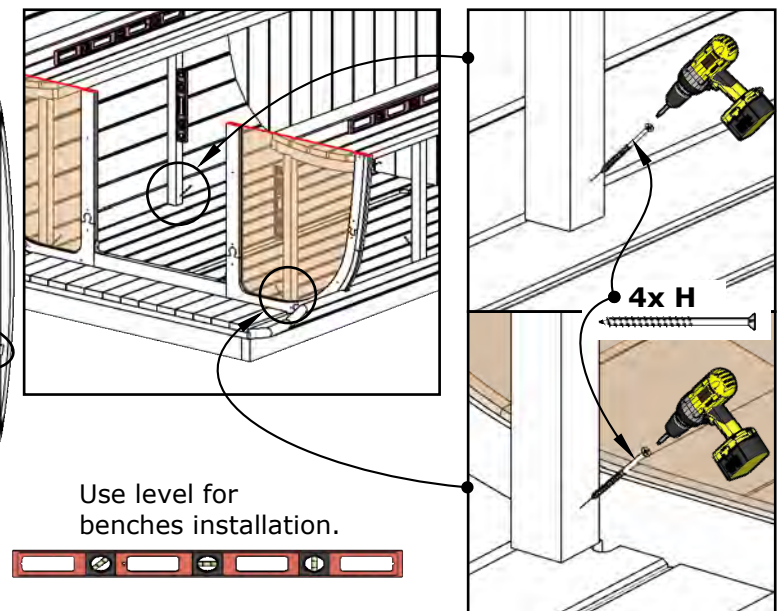
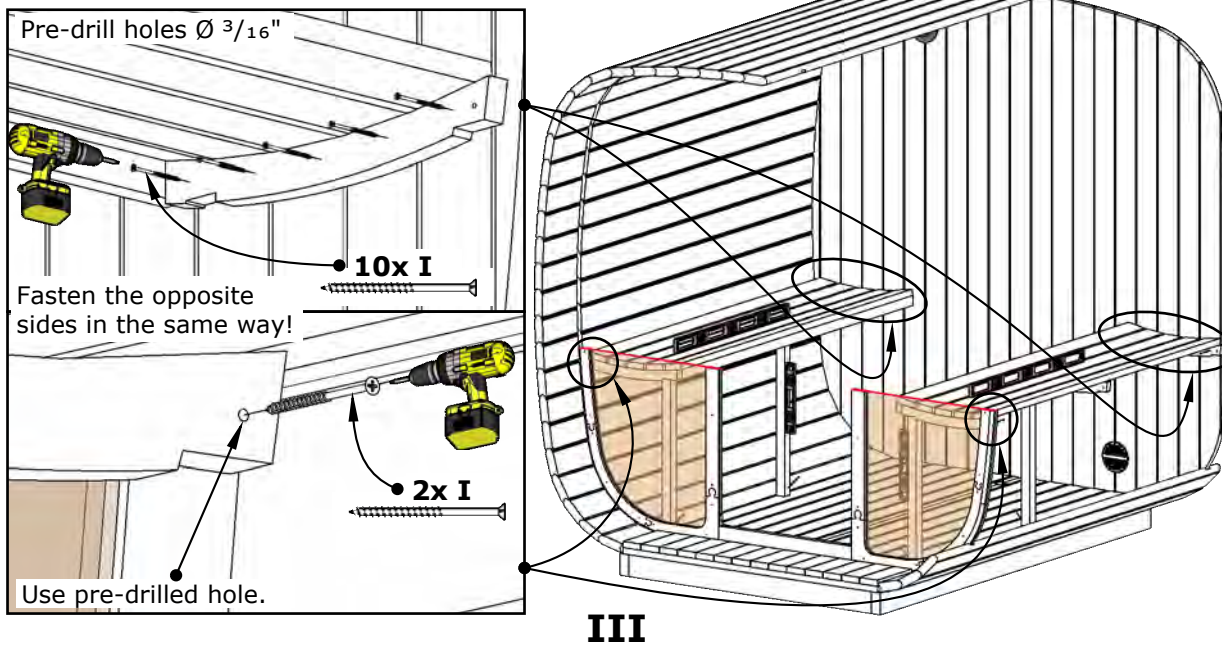
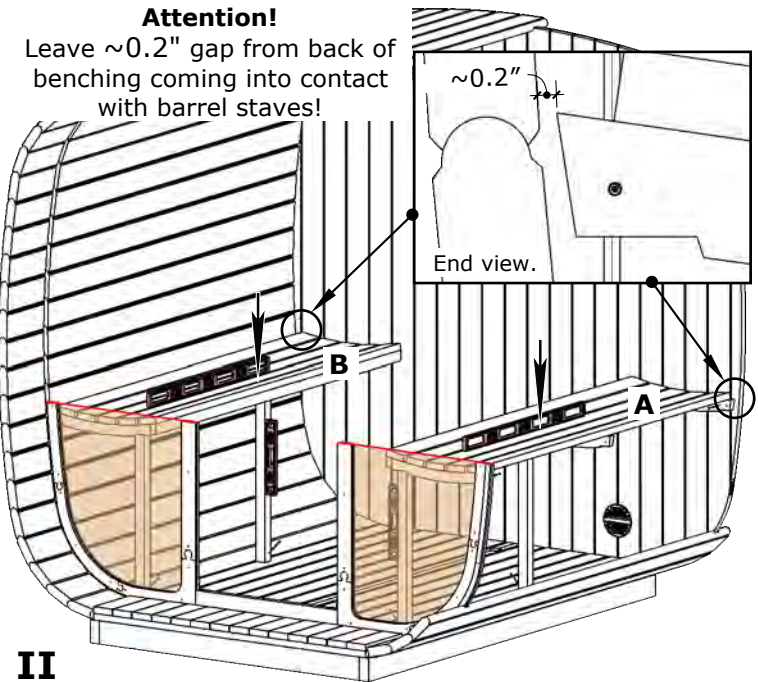
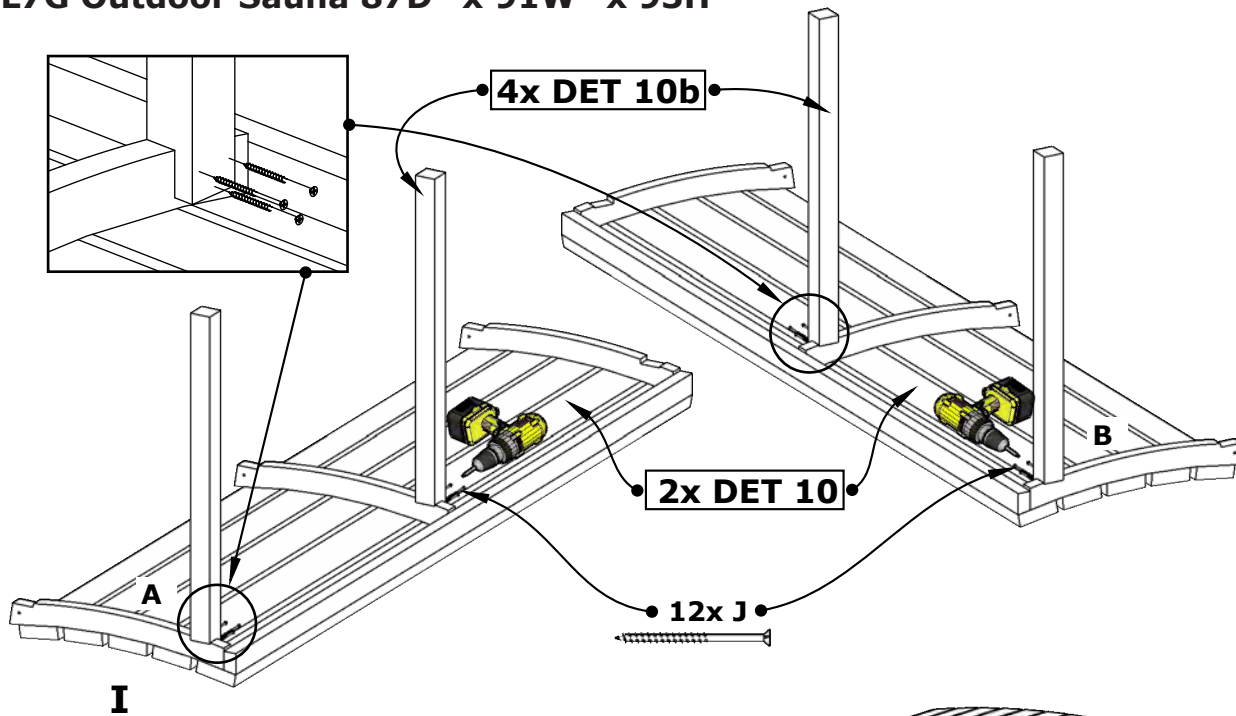
**I**



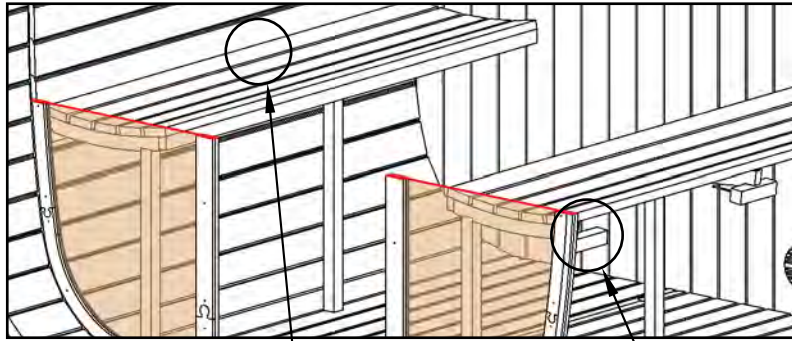
**Interior**

**II**

# CL7G Outdoor Sauna 87D" x 91W" x 93H"

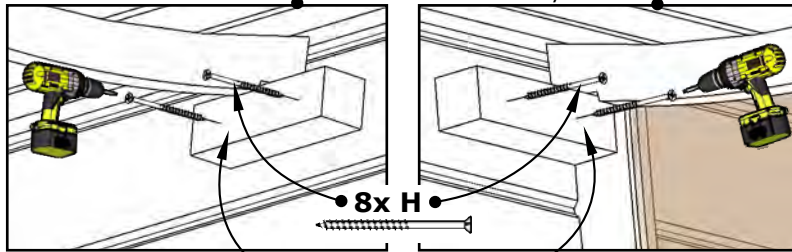


# CL7G Outdoor Sauna 87D" x 91W" x 93H"



Under the benches

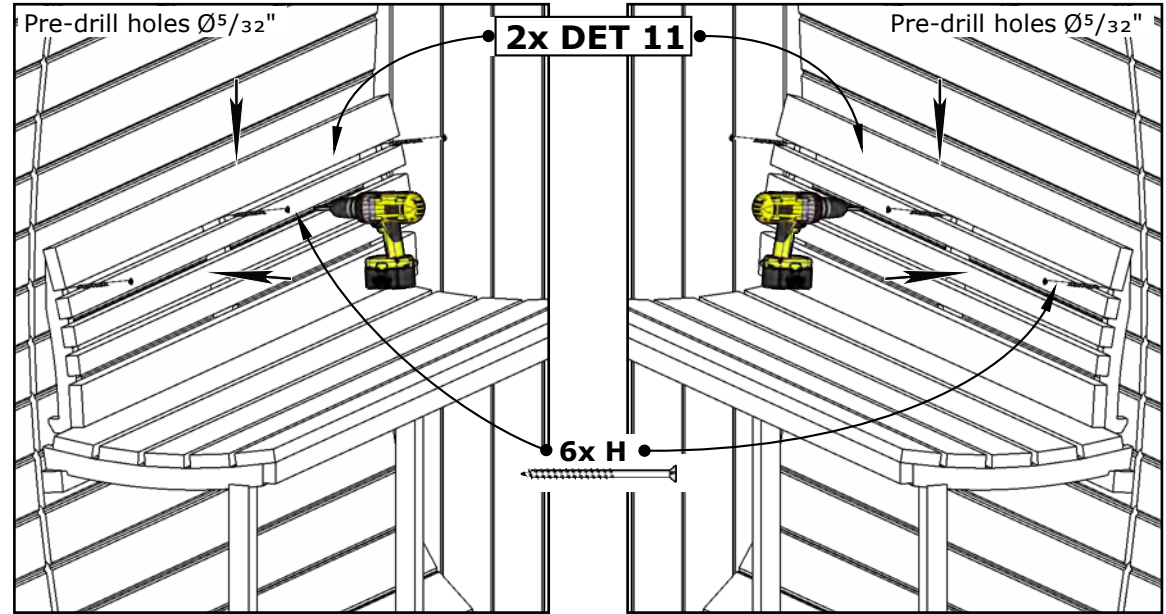
Fasten the opposite sides in the same way!



• 8x H •

• 4x DET 10c •

I



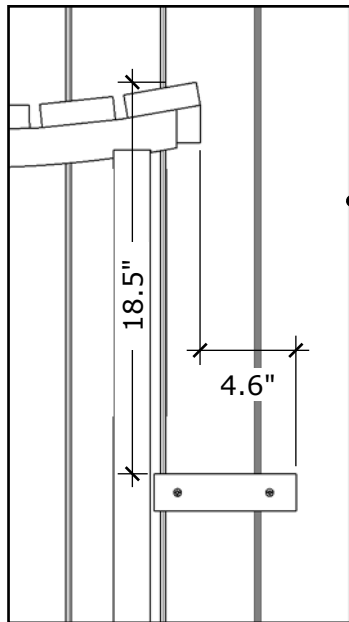
Pre-drill holes  $\text{Ø}^{5/32}$ "

• 2x DET 11 •

Pre-drill holes  $\text{Ø}^{5/32}$ "

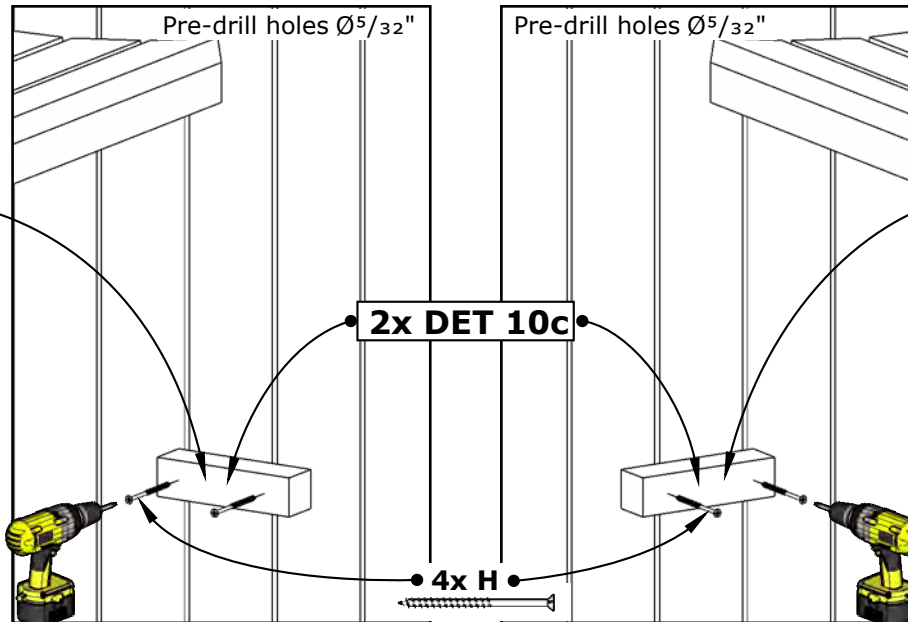
• 6x H •

II



18.5"

4.6"



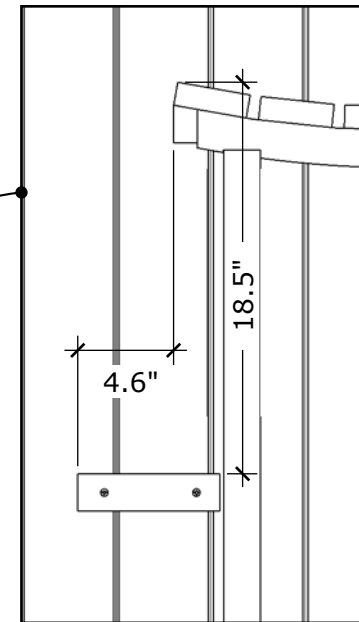
Pre-drill holes  $\text{Ø}^{5/32}$ "

Pre-drill holes  $\text{Ø}^{5/32}$ "

• 2x DET 10c •

• 4x H •

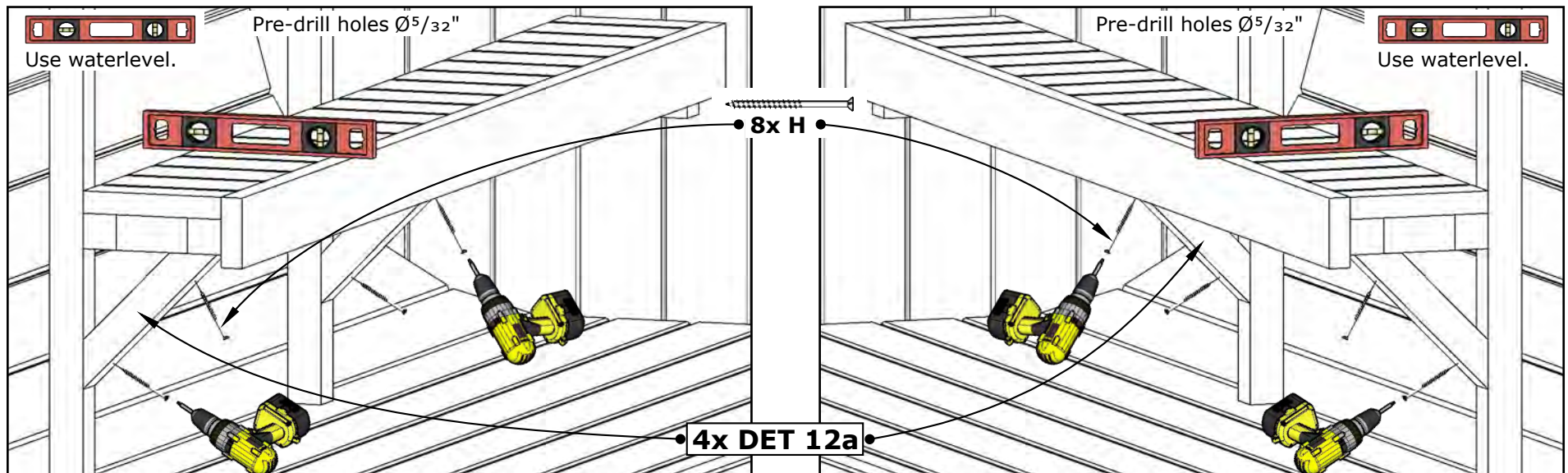
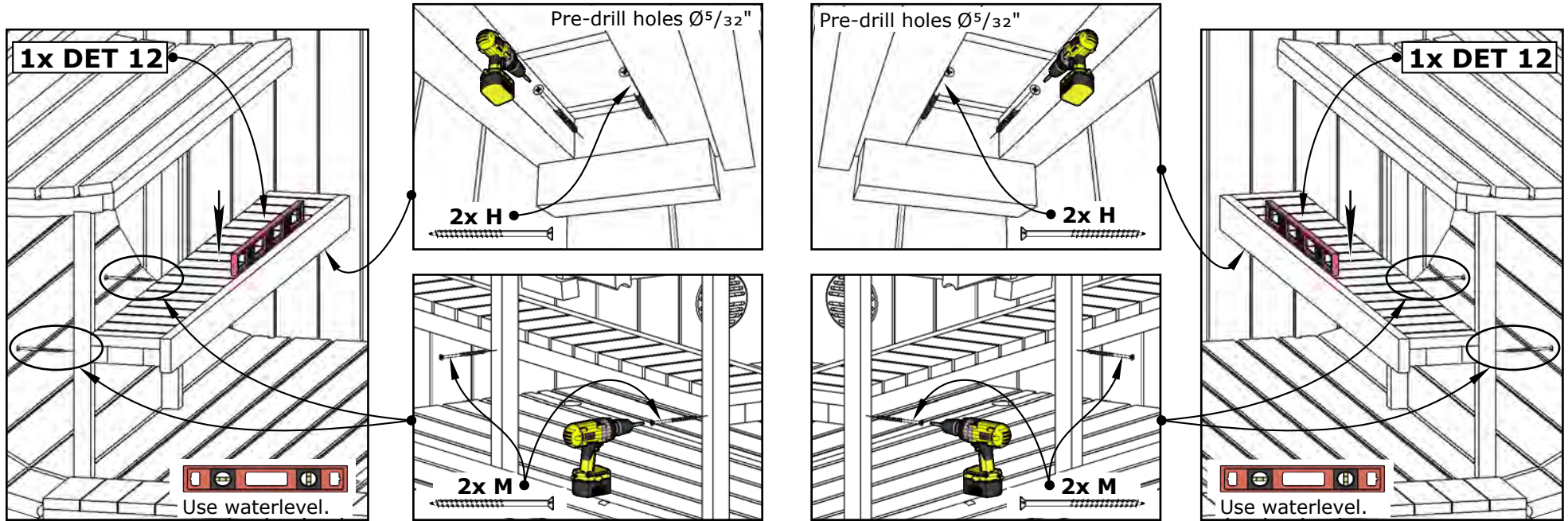
III



18.5"

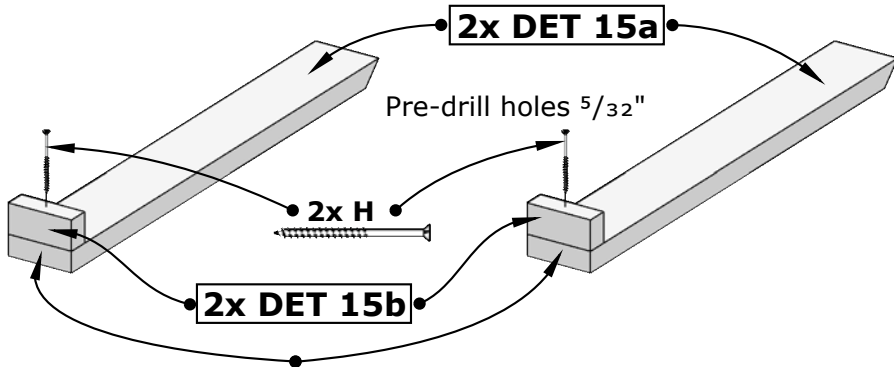
4.6"

# CL7G Outdoor Sauna 87D" x 91W" x 93H"



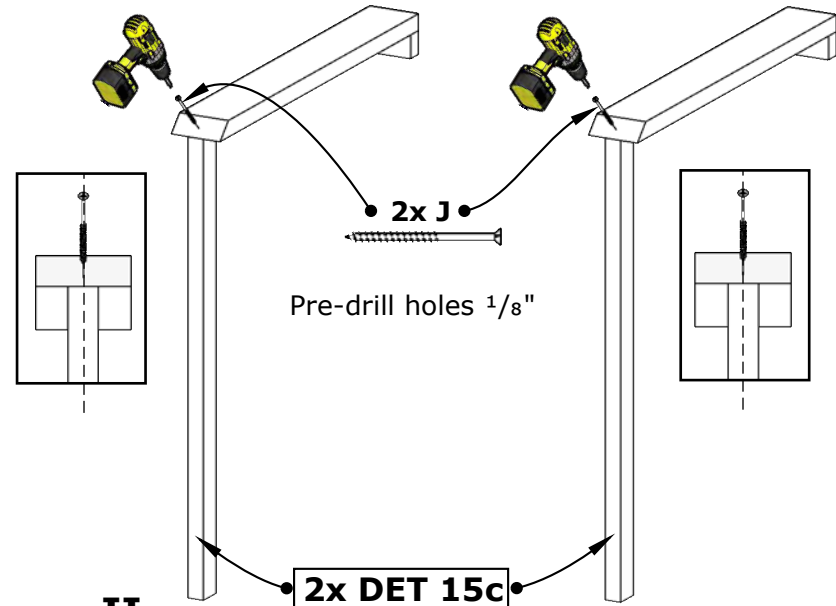
# CL7G Outdoor Sauna 87D" x 91W" x 93H"

**ATTENTION!**  
**HEATER GUARD MAY NOT MEET THE SAFETY**  
**DISTANCES OF ALL HEATERS AND SHOULD**  
**NOT BE USED IF THE HEATER DOES NOT FIT!**

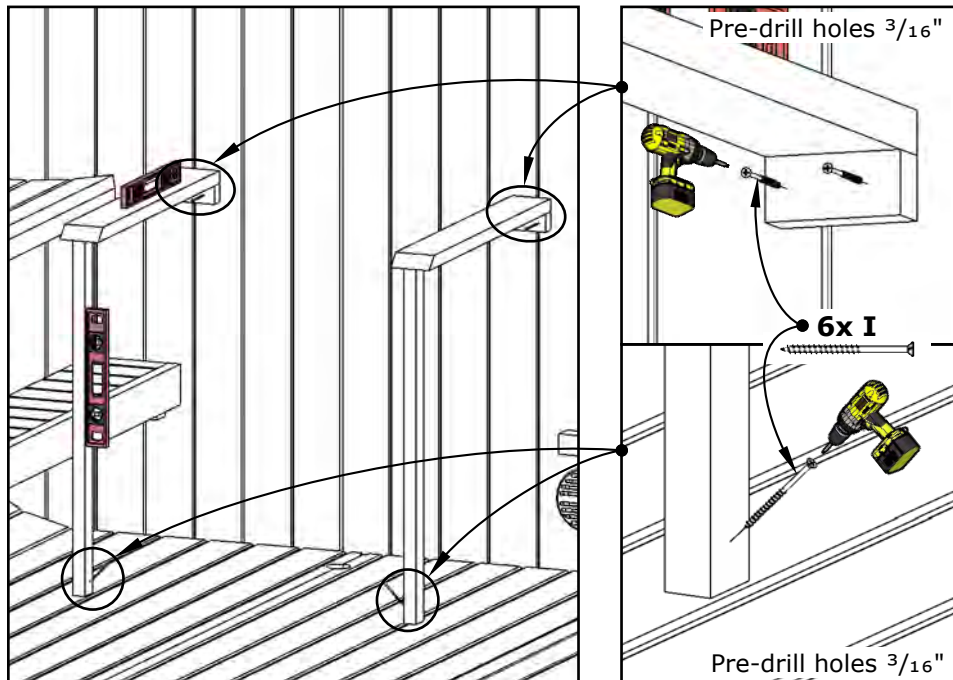


If Your sauna heater is smaller, You can cut DET 15a to length from the non-tapered end to better fit your heater.

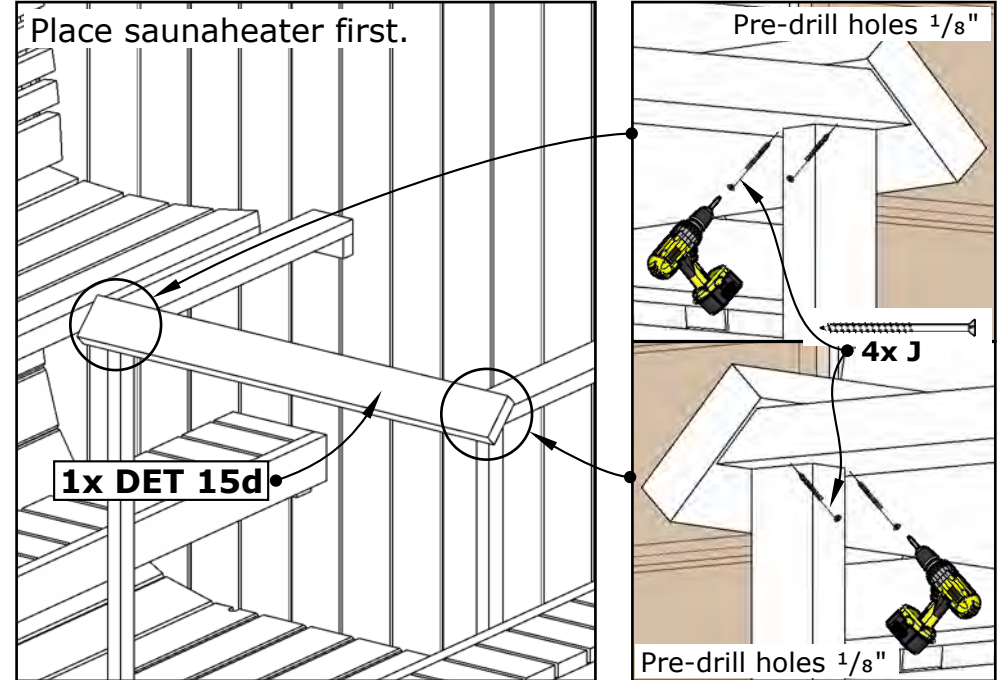
**I**



**II**



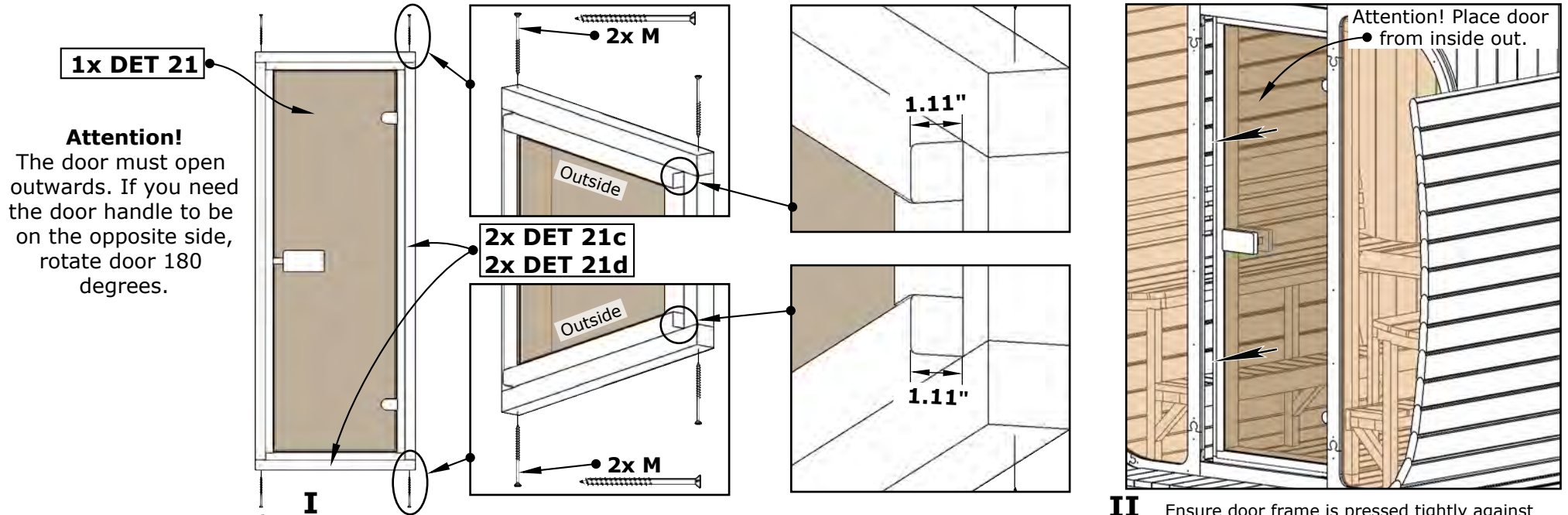
**III**



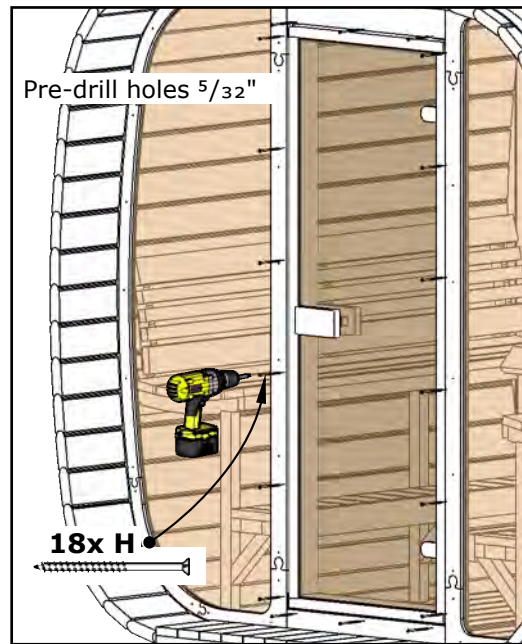
**IV**



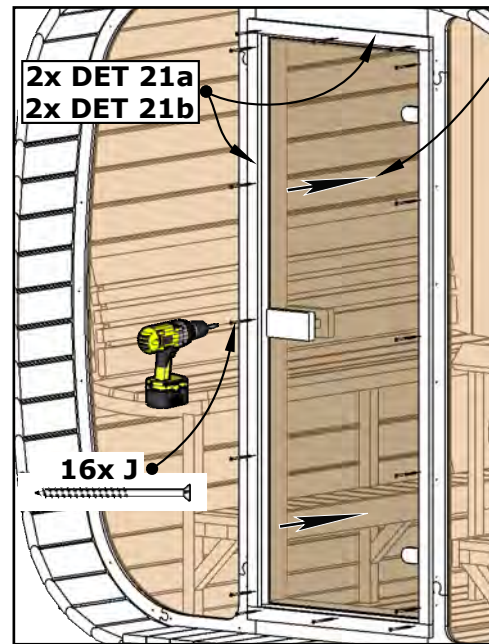
# CL7G Outdoor Sauna 87D" x 91W" x 93H"



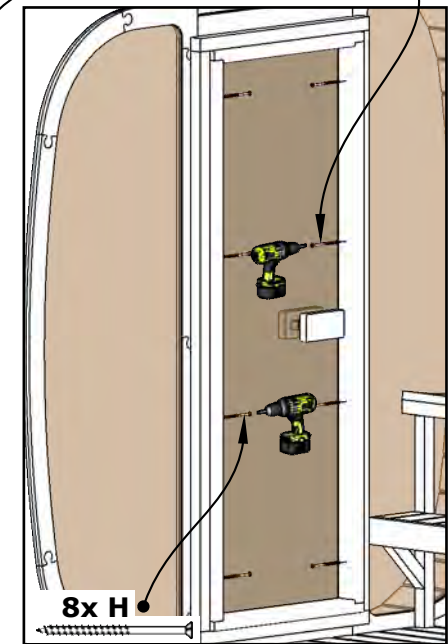
Use waterlevel.



**III**

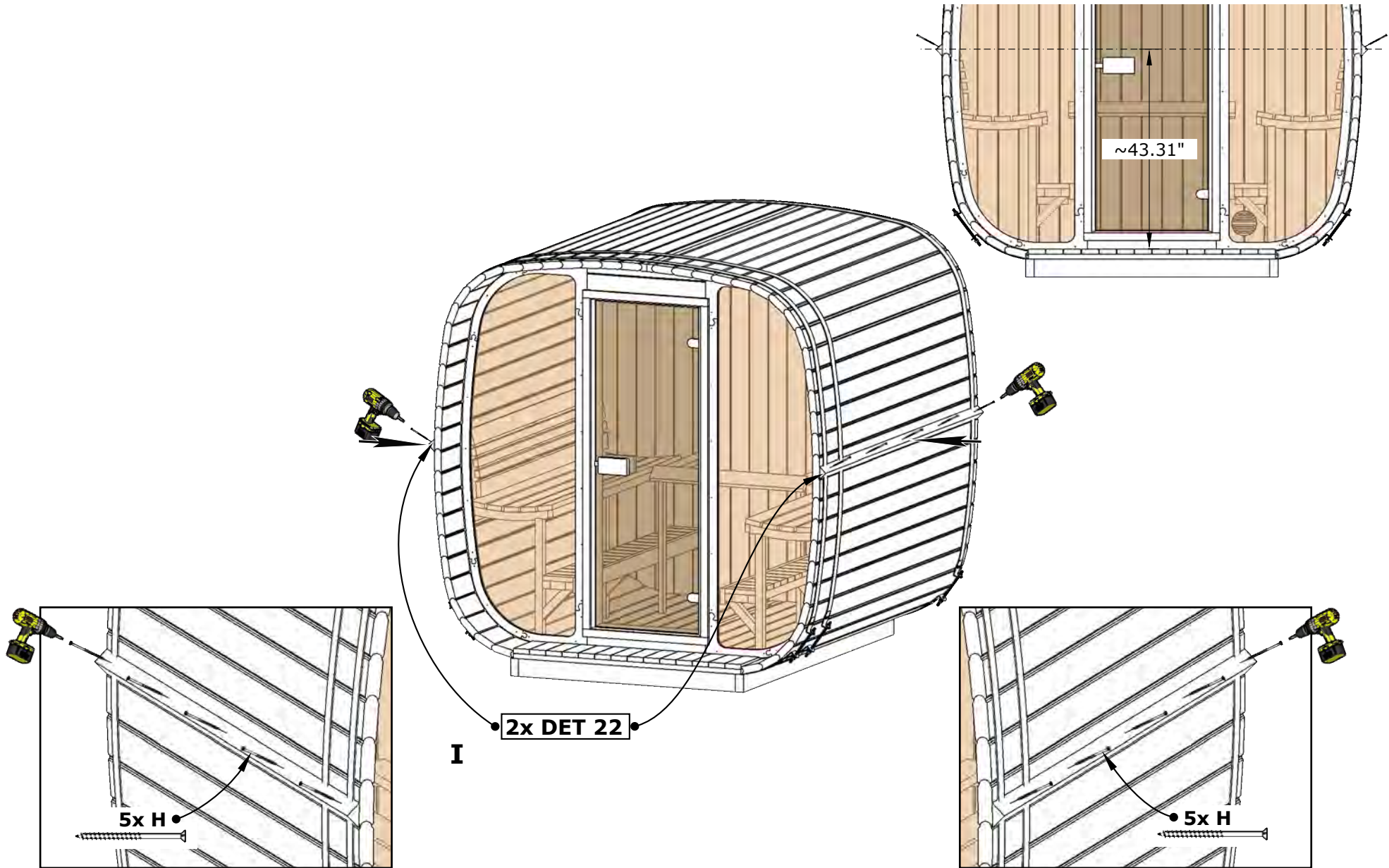


**IV**



**V**

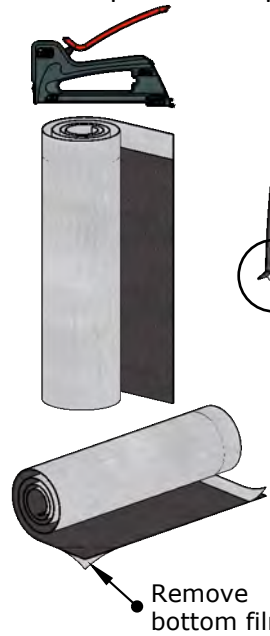
CL7G Outdoor Sauna 87D" x 91W" x 93H"



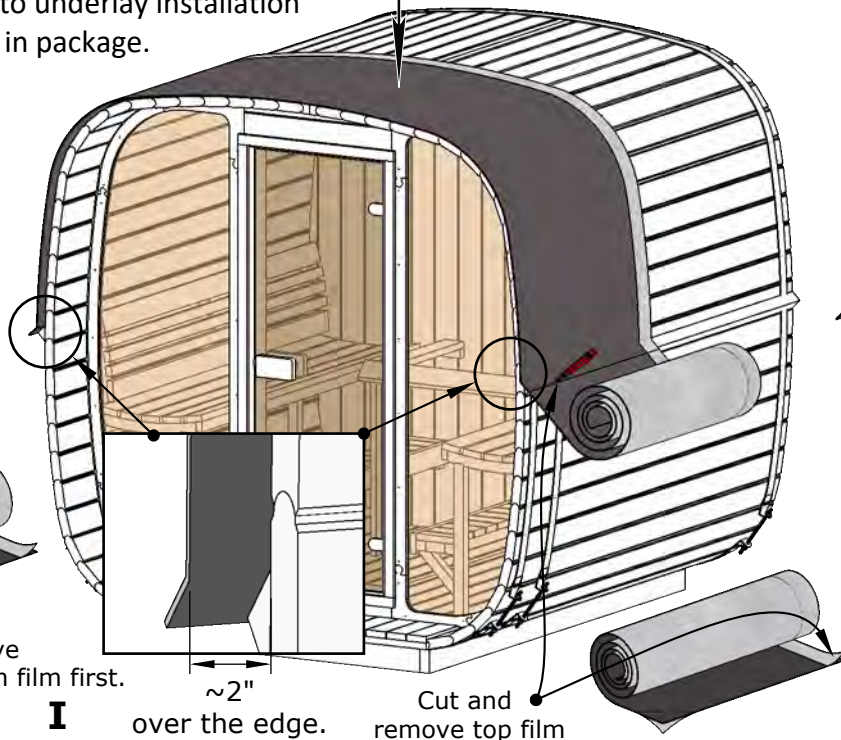
# CL7G Outdoor Sauna 87D" x 91W" x 93H"

Underlay felt installation manual.

**Attention!** Refer to underlay installation manual provided in package.



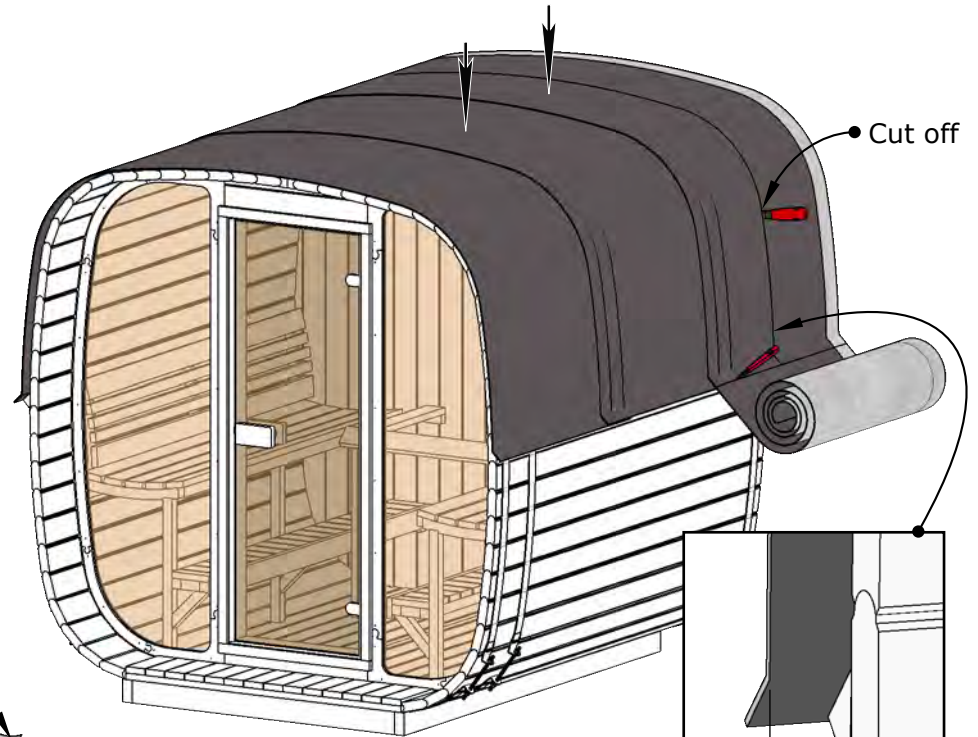
Remove bottom film first.



**I**

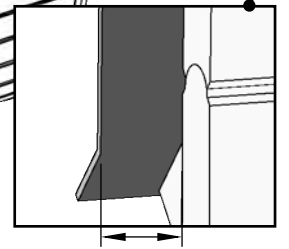
over the edge.

Cut and remove top film

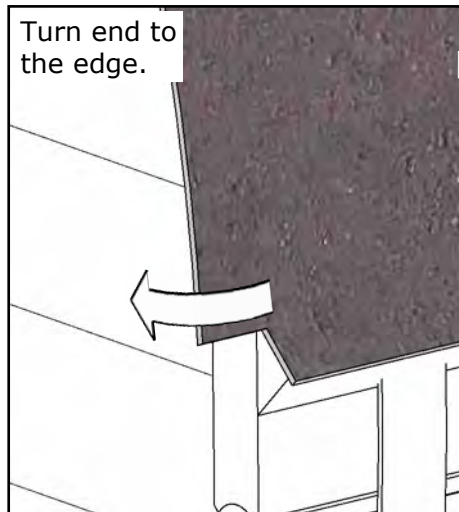


**II**

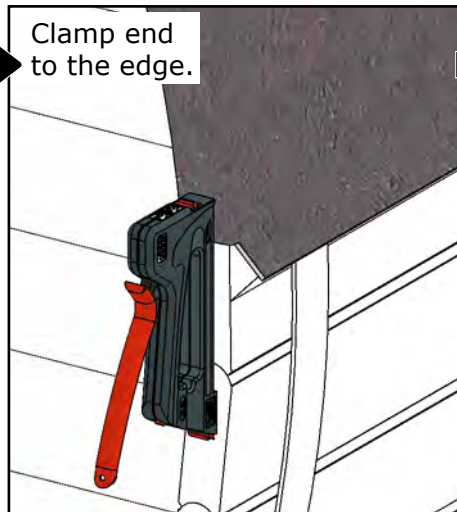
Proceed same way as shown in diagram I



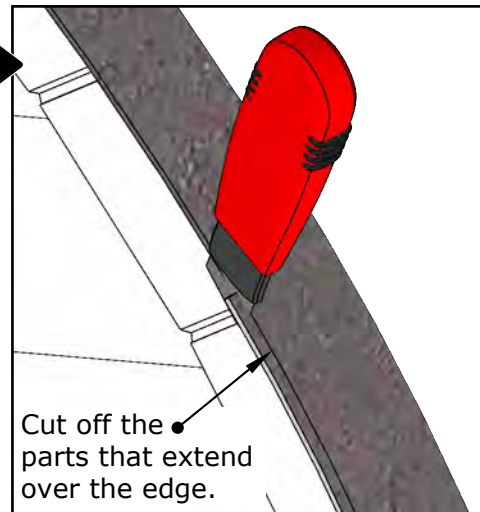
over the edge.



Turn end to the edge.



Clamp end to the edge.

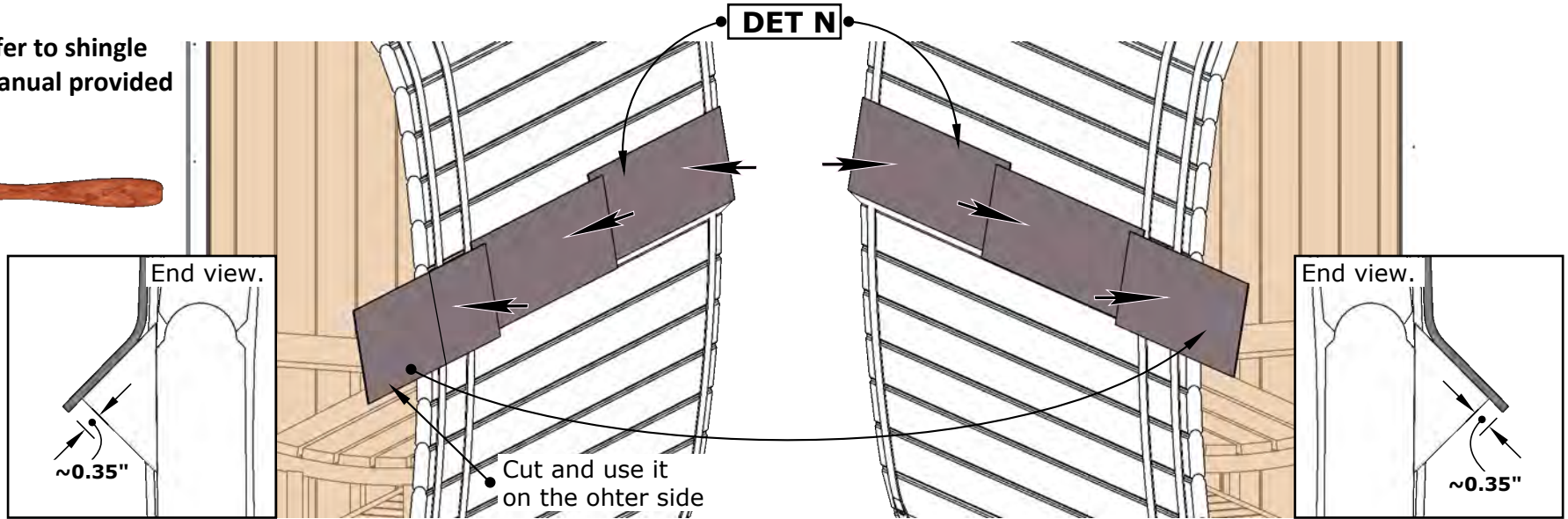


Cut off the parts that extend over the edge.

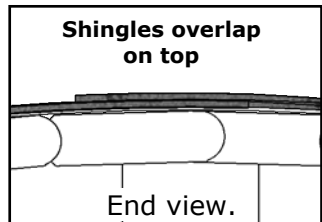
**III**

# CL7G Outdoor Sauna 87D" x 91W" x 93H"

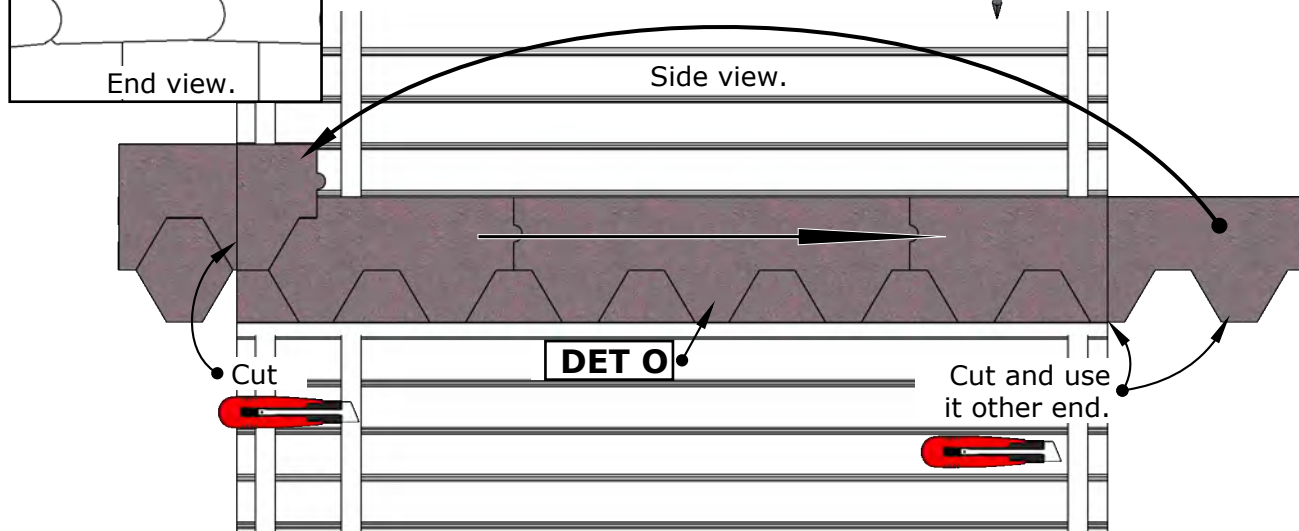
Attention! Refer to shingle installation manual provided in package.



I

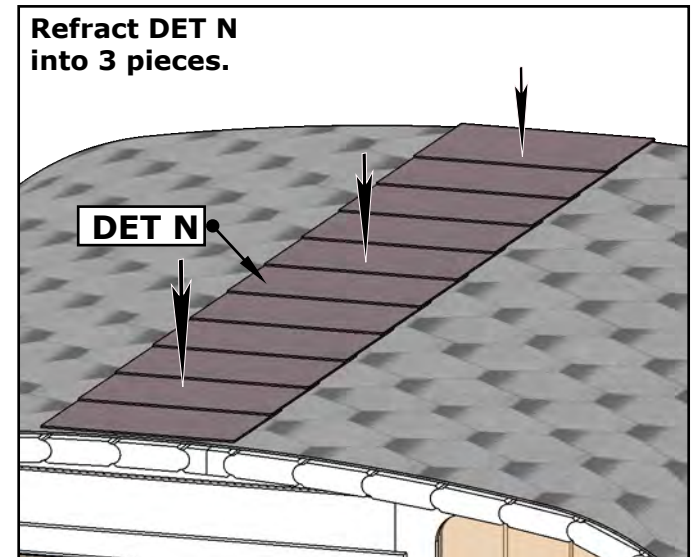


Attention! Refer to shingle installation manual provided in package.



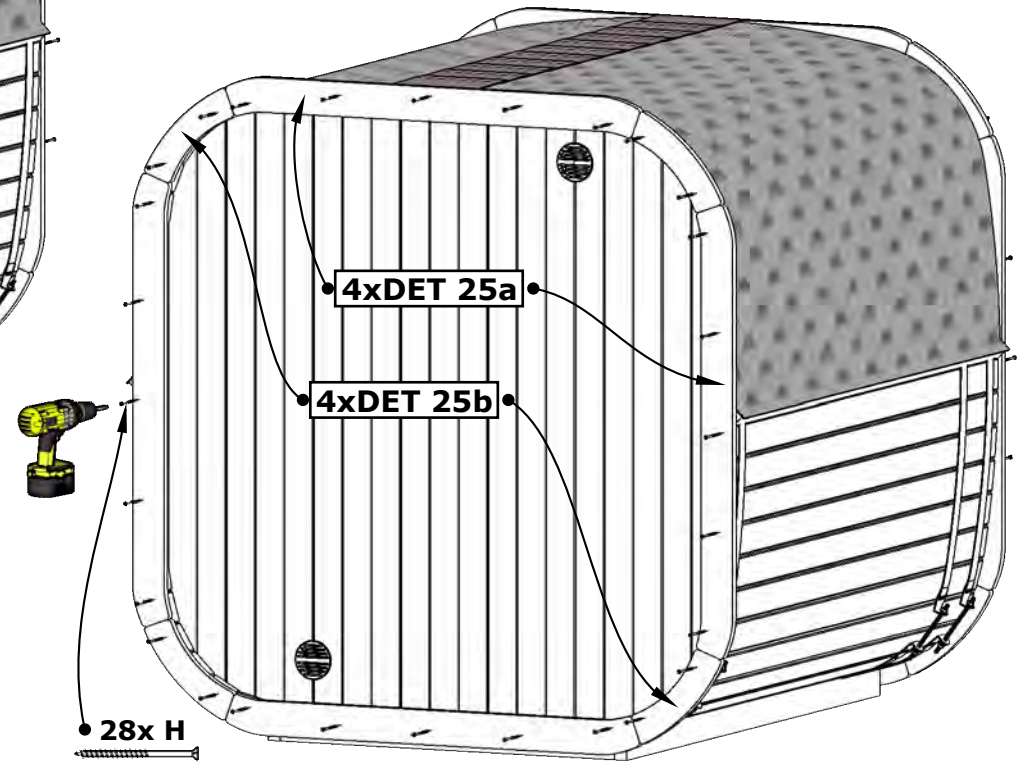
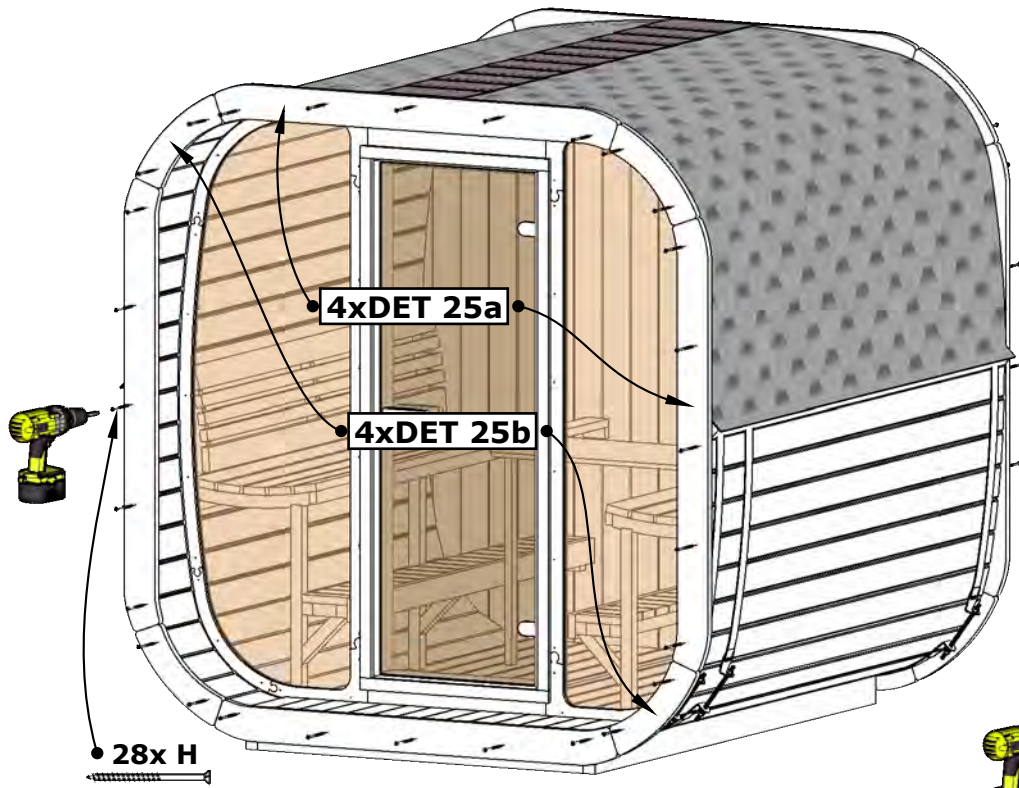
II

Attention! Refer to shingle installation manual provided in package.



III

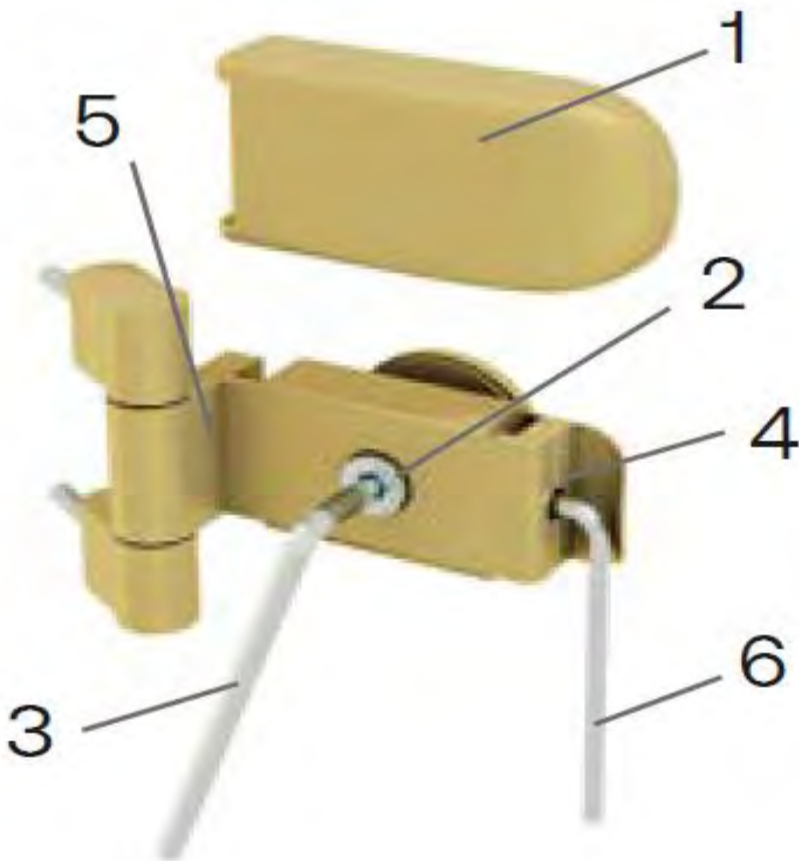
CL7G Outdoor Sauna 87D" x 91W" x 93H"



## Door and Window Maintenance

- **Regular checks:** Regularly inspect window and door hinges and locks. Tighten loose components and lubricate as needed.

### • DOOR ADJUSTMENT INSTRUCTIONS



- You will need 3-mm (6) and 5-mm (3) hexagon keys for adjusting the hinges. Remove the plastic covers from the hinges (1). Loosen the fixing screws (2) one turn (do not remove the glass). If needed, the door can be shimmed up a bit from here vertically. If it needs to be adjusted left or right, turn the screws (4 & 5) as required. If one screw is turned counterclockwise, the other must be turned clockwise. Make sure both screws are tight when you have completed this step. Then tighten the fixing screws (2) when adjusted.

## **Installation Instructions**

When building a wooden product, it is important to follow all installation instructions to ensure the quality and durability is guaranteed.

### **Important!**

Identification number of the Product / Serial Number: **123456789**

**Must be accompanied by the serial number to identify the product.**

#### **General Installation**

- **Careful handling:** Treat all wooden parts with care during assembly to avoid scratches or friction.
- **Level foundation:** Ensure the sauna sits on a stable, level foundation for proper door and window operation. Ensure the base has enough stability to support the sauna.
- **Proper drainage:** Avoid constant water exposure to wooden materials.
- **Electrical and plumbing:** Hire qualified professionals for electrical work, including heater and lighting installation.
- **Wood treatment:** To ensure optimal performance and longevity of your Sauna, proper wood treatment is crucial. We strongly recommend treating all wooden components with a wood preservative. This includes unfinished skirting boards, if applicable, which should be treated immediately upon assembly.

# CL7G Outdoor Sauna 87D" x 91W" x 93H"

## Wood Protection and Maintenance

- **Protective coating:** Apply a wood preservative at least once a year (or more often) to improve resistance to dirt and moisture, make cleaning easier, and extend the lifespan of the product.
- **Adjusting wick condition:** Check and adjust the condition of the sauna's wicks (if applicable) a few times a year.

## Sauna Heater and Stones

- **Heater and chimney installation:** Follow the manufacturer's instructions for heater and chimney installation.
- **Cleaning heater stones:** Wash new stones before placement to remove dust and chemicals.
- **Stone placement:** Arrange stones according to the manufacturer's instructions, ensuring heating elements are not exposed.
- **First heating:** The first heating must take place under supervision for two-hours to a temperature of about 210°F. The sauna must be well ventilated both during and after heating. This allows the wood to absorb finishing materials and form a protective layer.

## Sauna Use

- **Firewood:** Use dry firewood up to 12" long for wood-burning heaters.
- **Water Throwing:** Throw water only on the heater, not on walls or benches.
- **Swimwear:** Avoid wearing swimwear in the sauna to prevent damage to the benches from dripping water.
- **Seating comfort:** Consider using seating pads for increased comfort on hot benches.
- **Cracked stones:** Check the heater stones regularly, as they can crack over time. Replace or add stones as needed.

## Sauna Cleaning After Each Use

- **Wipe down benches:** Use a clean, damp cloth to wipe down the benches. Do not use running water to clean the bench or other wooden surfaces.
- **Cleaning products:** Use suitable cleaning products specifically designed for sauna benches and other wooden parts.
- **Drying and ventilation:** After cleaning, allow surfaces to dry completely and ensure proper ventilation. Run the heater for at least 30 minutes with the vent open and door/windows closed.

## Sauna Maintenance - Yearly

- **Wood treatment:** Re-treat wooden surfaces with a suitable product, especially for frequently used saunas.
- **Cleaning surfaces:** Clean all surfaces with a soft brush/cloth and a designated cleaning agent according to the product's instructions.
- **Heavy stains:** For stubborn stains, lightly sand the area before re-treating with wood preservative.



## CL7G Outdoor Sauna 87D" x 91W" x 93H"

- **Avoid unsuitable products:** Avoid paints, varnishes, harsh disinfectants, or pressure washers, as these can damage the wood.
- **Hardware checks:** Inspect bench and support mountings. Tighten loose screws if necessary, as wood can loosen due to heat and moisture fluctuations.

### What to Avoid in Your Sauna

- **Drying textiles:** Avoid drying textiles in the sauna due to fire hazards and potential wood damage from excessive moisture.
- **Excessive heat:** Don't exceed the maximum temperature specified by the heater manufacturer to prevent fire hazards and wood warping.
- **Cleaning methods:** Avoid using pressure washers or excessive running water, as this can permanently damage the wood structure.

### Wood Characteristics in Saunas

- **Natural changes:** Wood is a natural material that may crack or warp slightly due to temperature fluctuations. This is normal in saunas with extreme temperature and humidity changes.
- **Deformation factors:** The risk of wood deformation depends on the material, usage intensity, and is more noticeable with wider boards.
- **Darkening wood:** Wood in areas exposed to hot steam may darken over time.
- **Wood Smell:** Thermally treated wood has a characteristic smell that diminishes over time but does not completely disappear. In a sauna, the smell weakens faster if it is heated for a long time and aired at the same time. The smell is softened by treating the wood with a suitable wood oil or wood care product. Do not wash untreated thermal wood with water, as this will make the smell stronger.