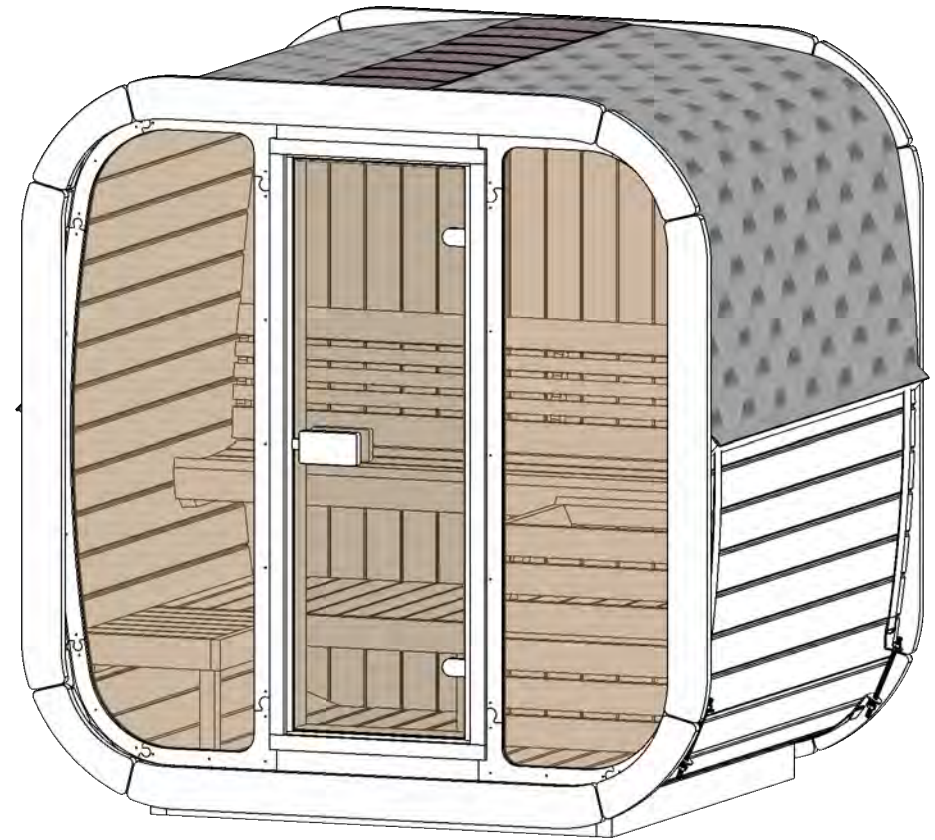
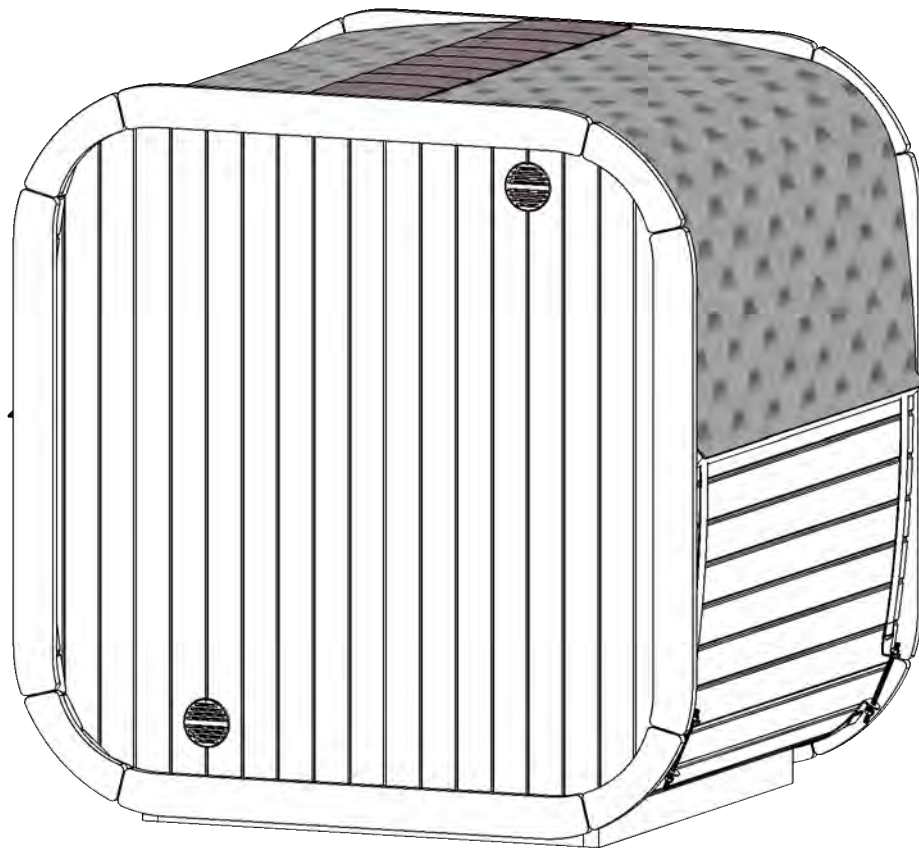


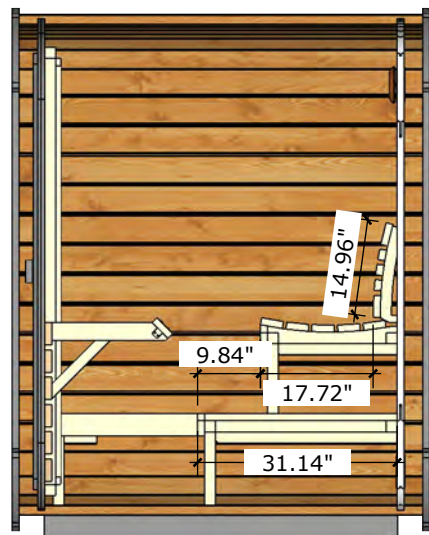
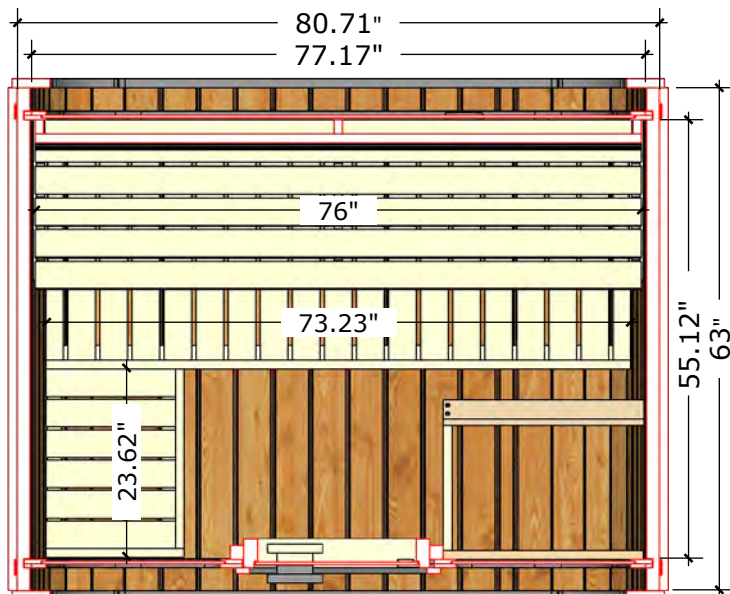
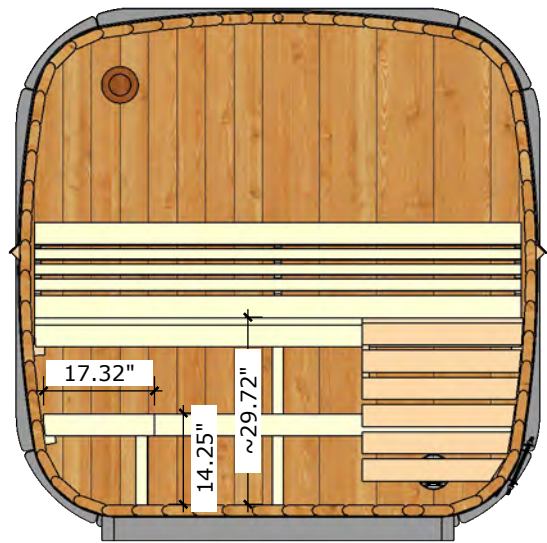
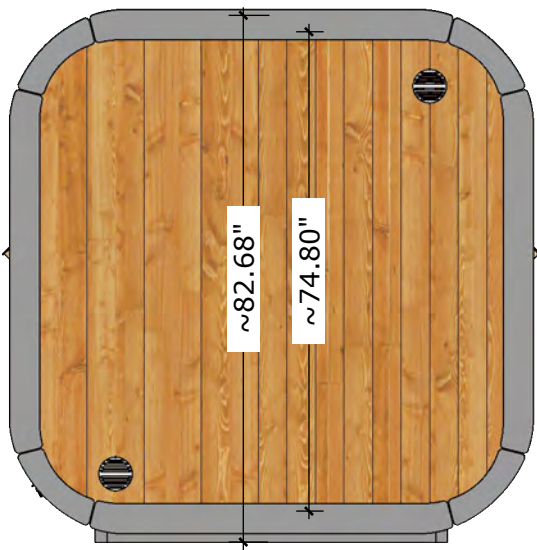
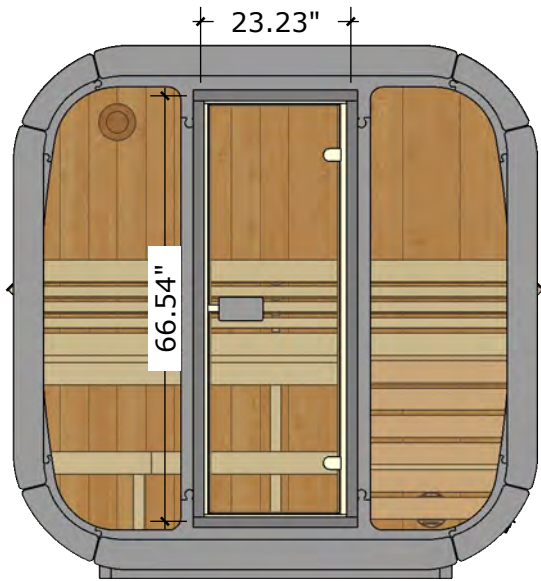


Cube Luxury Series CL5G Outdoor Sauna
63D" x 81W" x 83H"

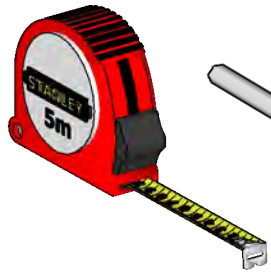


Note: Please read manual before construction

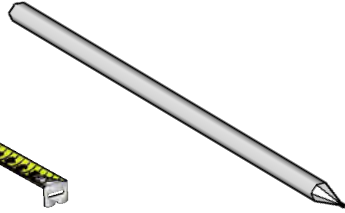
Rev: 1.1_7/2024



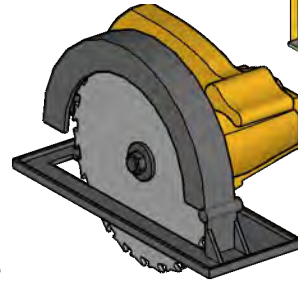
Tools needed



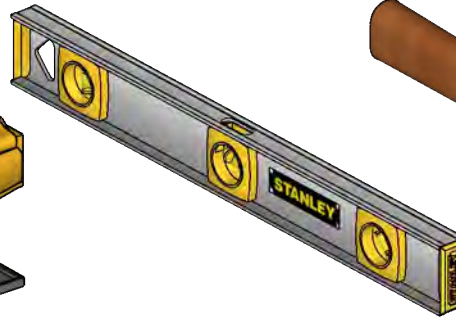
Measuring tape



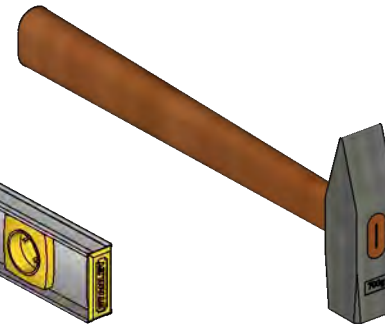
Marker pen



Circular saw



Water level



Hammer



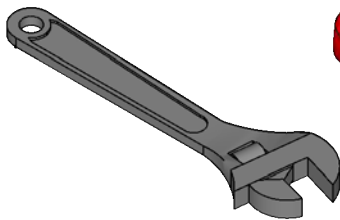
Extra hands



Screwdriver



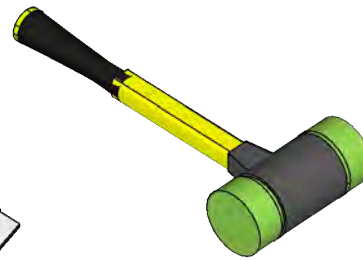
Drill



Crescent wrench



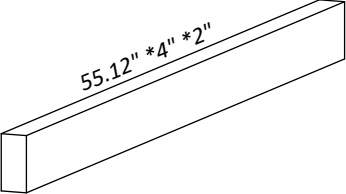
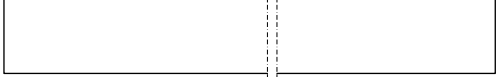
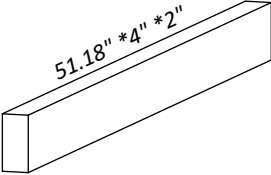

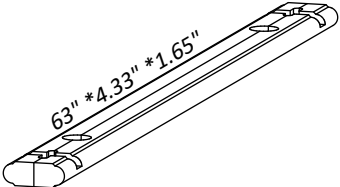
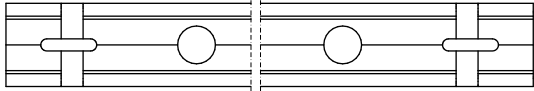
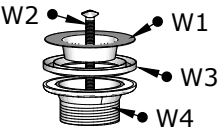
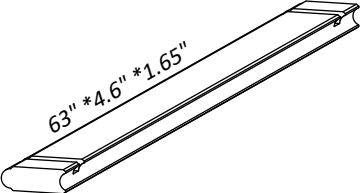

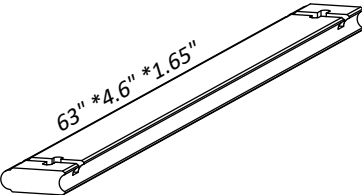

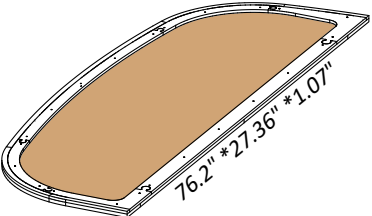
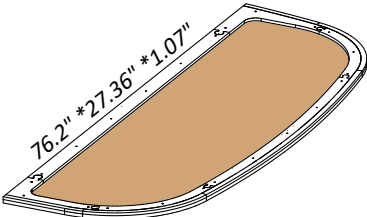
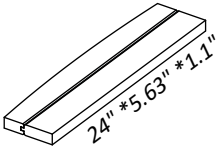
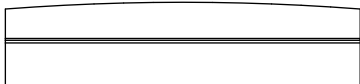
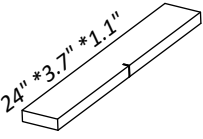
Utility knife

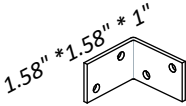
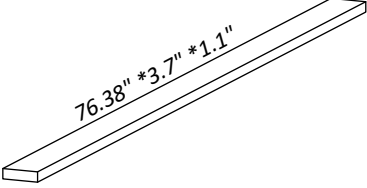
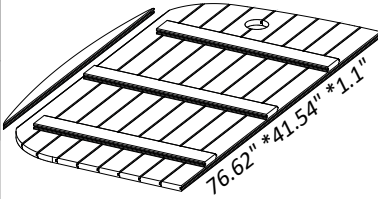
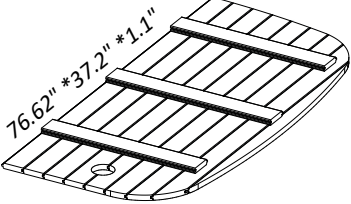
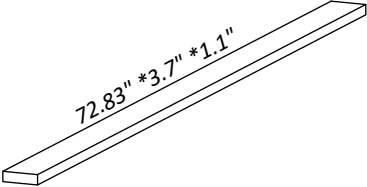
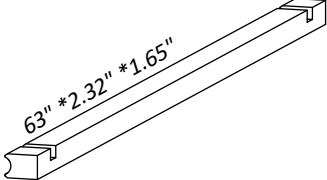
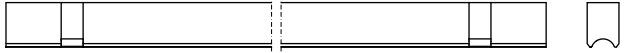
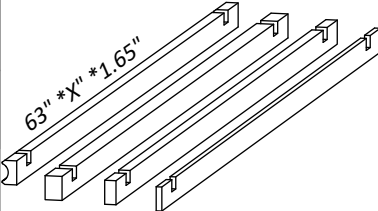
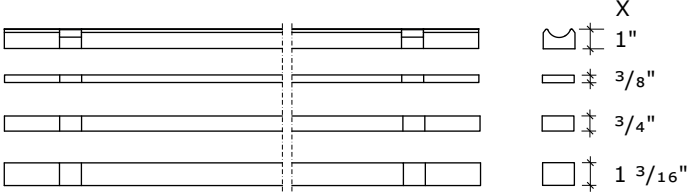
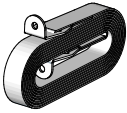
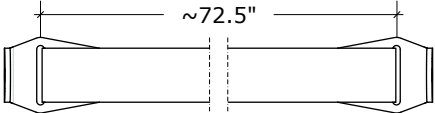
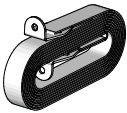
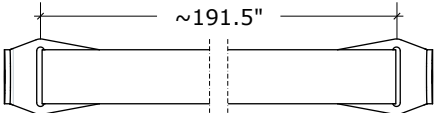




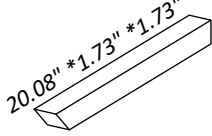
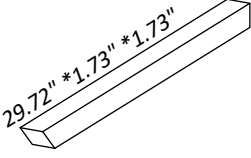
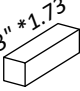
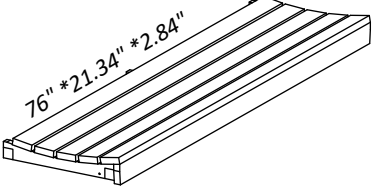
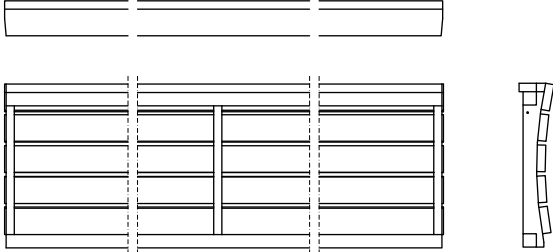
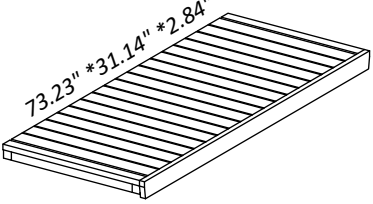
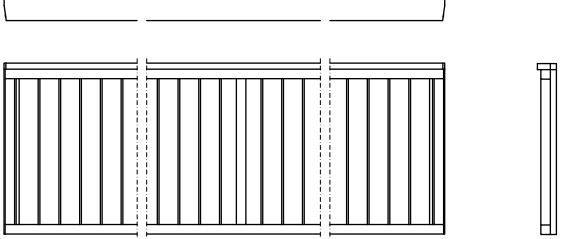
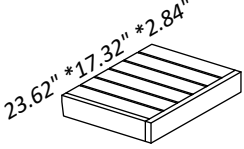
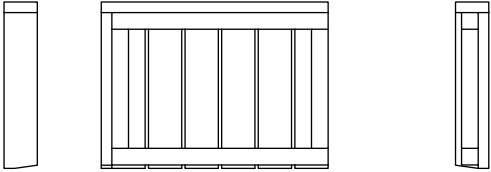
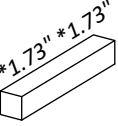
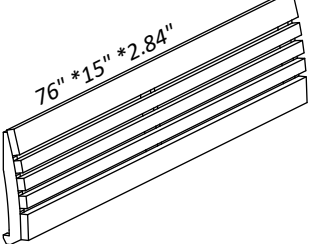
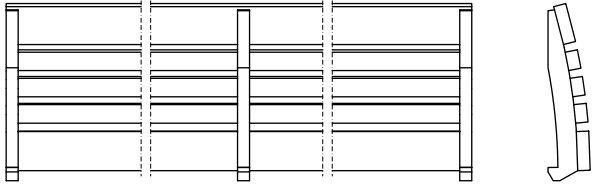
Rubber mallet

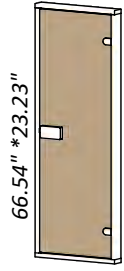
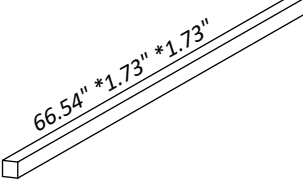
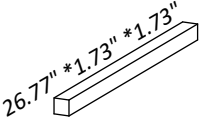
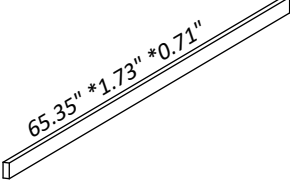
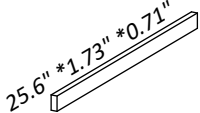
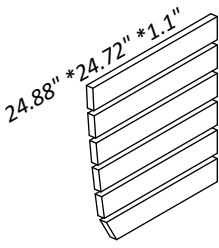
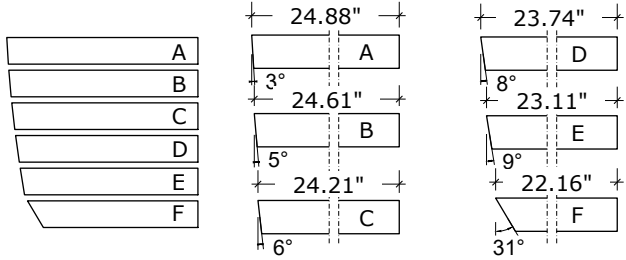
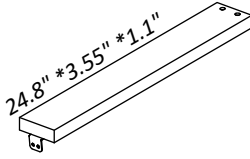

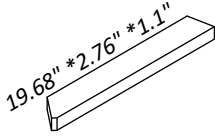

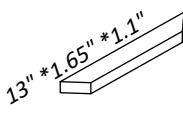
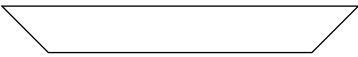



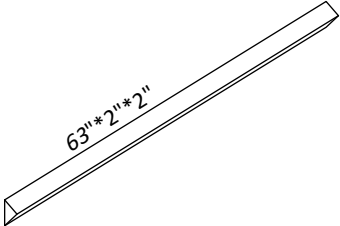
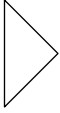
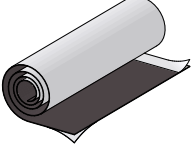
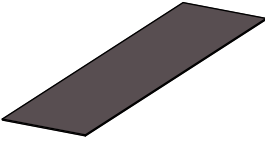
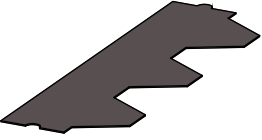
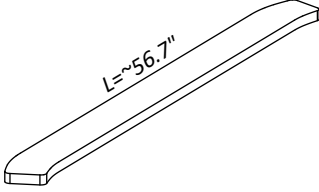
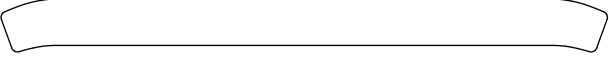
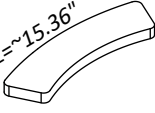

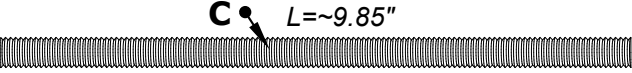

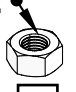
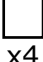


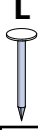


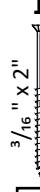
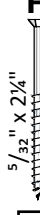

Ratchet strap

<p>DET 1</p> <p>Article. K-SM100/1400</p>	<p>x2</p>		
<p>DET 2</p> <p>Article. K-SM100/1300</p>	<p>x4</p>		
<p>DET 3</p> <p>Article. T-STL117/1600XLM01</p>	<p>x1</p>		
<p>DET W</p> <p>Article. MU-TRAPP</p>	<p>x2 kmp1</p>		
<p>DET 3</p> <p>Article. T-STL117/1600-01</p>	<p>x64</p>		
<p>DET 3/H</p> <p>Article. T-STL117/1600-01X</p>	<p>x2</p>		
<p>DET Sb</p> <p>Article. IC20-TE-PR-12/15P</p>	<p>x1</p>		
<p>DET Sa</p> <p>Article. IC20-TE-PR-12/15V</p>	<p>x1</p>		
<p>DET Ta</p> <p>Article. T-SL117/610UK1</p>	<p>x1</p>		
<p>DET Tb</p> <p>Article. T-TL94/610J</p>	<p>x1</p>		

<p>DET V</p> <p>Article. KI-VIN-25/40/40-ZN</p>	<p>x4</p>		
<p>DET U1</p> <p>Article. K-TL94/1940</p>	<p>x1</p>		
<p>DET Y1</p> <p>Article. T-IC20-PTS/28-V</p>	<p>x1</p>		
<p>DET Y2</p> <p>Article. T-IC20-PTS/28-P</p>	<p>x1</p>		
<p>DET U2</p> <p>Article. K-TL94/1850</p>	<p>x1</p>		
<p>DET 6</p> <p>Article. T-STL117/1600XL-01</p>	<p>x2</p>		
<p>DET 6c/d/e/f</p> <p>Article. T-STL117/1600KO-01</p>	<p>x1</p>		
<p>DET A1</p> <p>Article. MU-VIT1840-KLZN</p>	<p>x2</p>		
<p>DET A2</p> <p>Article. MU-VIT4860-KLZN</p>	<p>x2</p>		
<p>DET G</p> <p>Article. MU-VENT-100-PU</p>	<p>x1</p>		

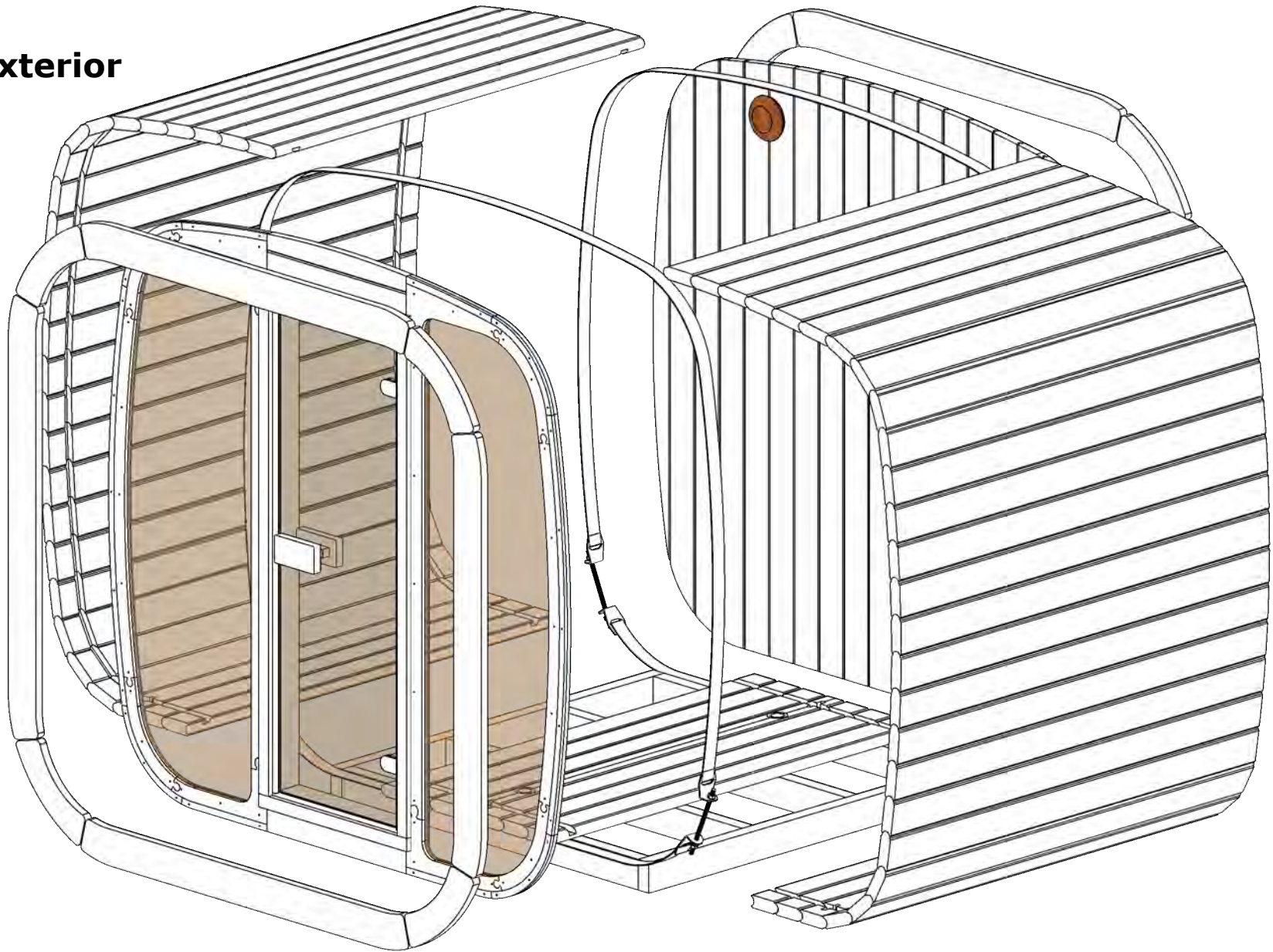
<p>DET F</p> <p>Article. MU-VENT-100-ZN</p>	<p>x3</p>		
<p>DET 10a</p> <p>Article. K-HP44/510XP</p>	<p>x2</p>		
<p>DET 11a</p> <p>Article. K-HP44/755XP</p>	<p>x2</p>		
<p>DET 10c</p> <p>Article. K-HP44/170</p>	<p>x1</p>		
<p>DET 10</p> <p>Article. TL-LAMOD-1930-KA01</p>	<p>x1</p>		
<p>DET 11</p> <p>Article. TL-LAMOD-1860-01</p>	<p>x1</p>		
<p>DET 12</p> <p>Article. TL-LAMOD-600-01</p>	<p>x1</p>		
<p>DET 10b</p> <p>Article. K-HP44/290</p>	<p>x3</p>		
<p>DET 14</p> <p>Article. TL-STMOD-1930-KA01</p>	<p>x1</p>		

<p>DET 21</p> <p>Article. U-KL-6/17-PR</p>	<p>x1</p>		
<p>DET 21c</p> <p>Article. K-HP44/1690</p>	<p>x2</p>		
<p>DET 21d</p> <p>Article. K-HP44/680</p>	<p>x2</p>		
<p>DET 21a</p> <p>Article. K-HL44/1660</p>	<p>x2</p>		
<p>DET 21b</p> <p>Article. K-HL44/650</p>	<p>x2</p>		
<p>DET 16</p> <p>Article. TL-PIMOD-632-01</p>	<p>x1</p>		
<p>DET 15a</p> <p>Article. TL-LAV90/630X</p>	<p>x1</p>		
<p>DET 15b</p> <p>Article. TL-LAV90/500XP-XL</p>	<p>x1</p>		
<p>DET 15d</p> <p>Article. TL-LAV42/330XP-XP</p>	<p>x1</p>		
<p>DET 15c</p> <p>Article. KI-LEK15</p>	<p>x2</p>		

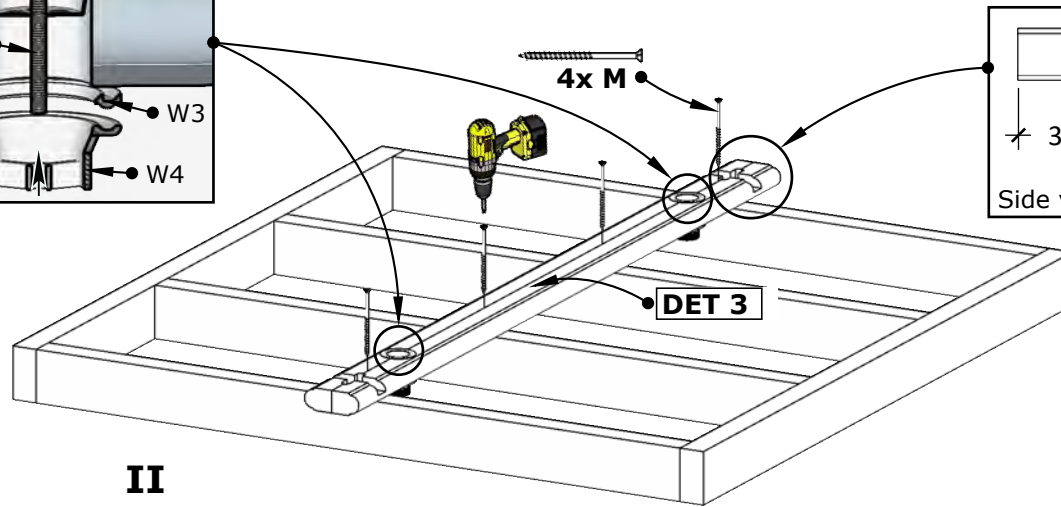
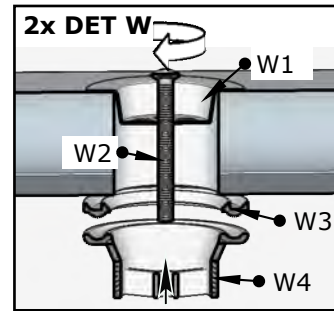
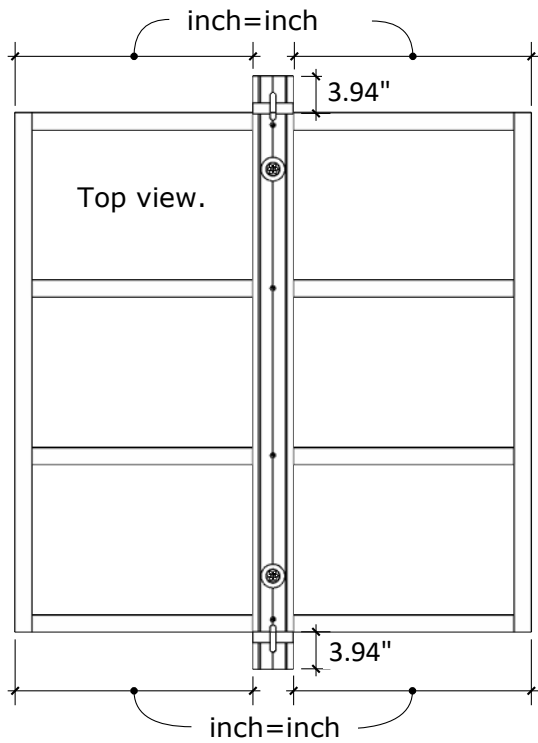
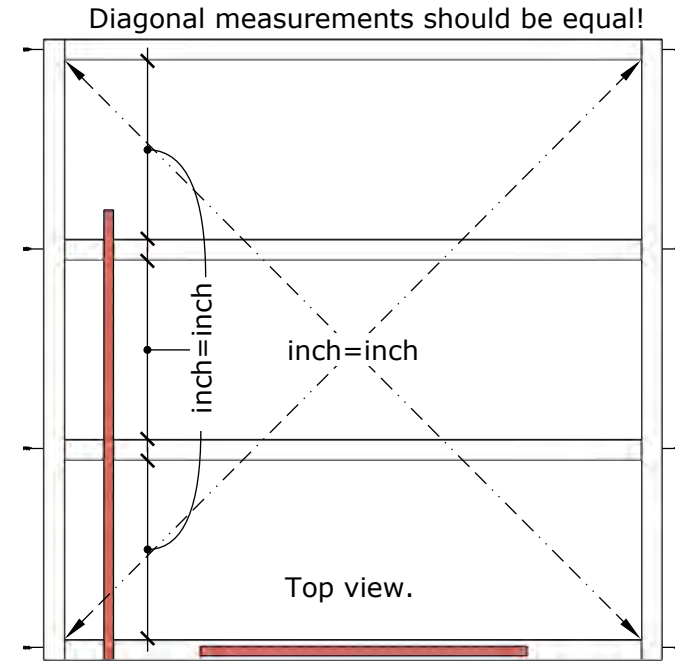
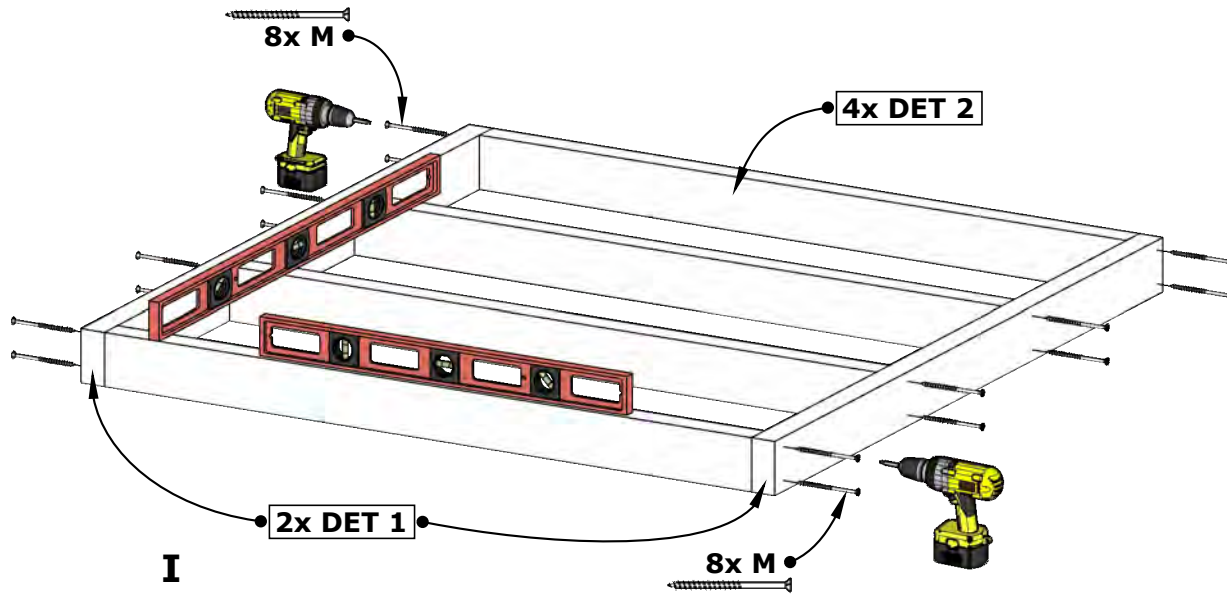
<p>DET 22</p> <p>Article. T-STL-1600-XX</p>	<p>x2</p>		
<p>Underlay felt</p> <p>Article. KAT-AL</p>	<p>26'</p>		
<p>DET N</p> <p>Article. KAT-HAR-MUST</p>	<p>x7</p>		
<p>DET O</p> <p>Article. KAT-SIN-MUST</p>	<p>x52</p>		
<p>DET 25a</p> <p>Article. MU-OL-IC-20-1</p>	<p>x8</p>		
<p>DET 25b</p> <p>Article. MU-OL-IC-20-2</p>	<p>x8</p>		
<p>Article. KI-KERL-12-RV4</p>  <p>C $L \sim 9.85''$</p> <p>D  x8</p> <p>E  x8</p> <p> x4</p>		<p>Article. KI-USA-ICO-226</p> <p>Bit PH2  </p> <p>Torx bits T10 T15 T20 T25</p> <p>L  ~ 320</p> <p>K $\frac{1}{8}'' \times 1\frac{1}{4}''$  x20</p> <p>J $\frac{1}{8}'' \times 1\frac{1}{2}''$  x45</p> <p>I $\frac{3}{16}'' \times 2''$  x40</p> <p>H $\frac{5}{32}'' \times 2\frac{1}{4}''$  x240</p> <p>M $\frac{3}{16}'' \times 3\frac{1}{2}''$  x70</p>	

CL5G Outdoor Sauna 63D" x 81W" x 83H"

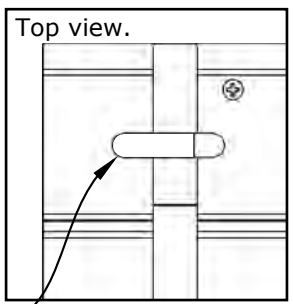
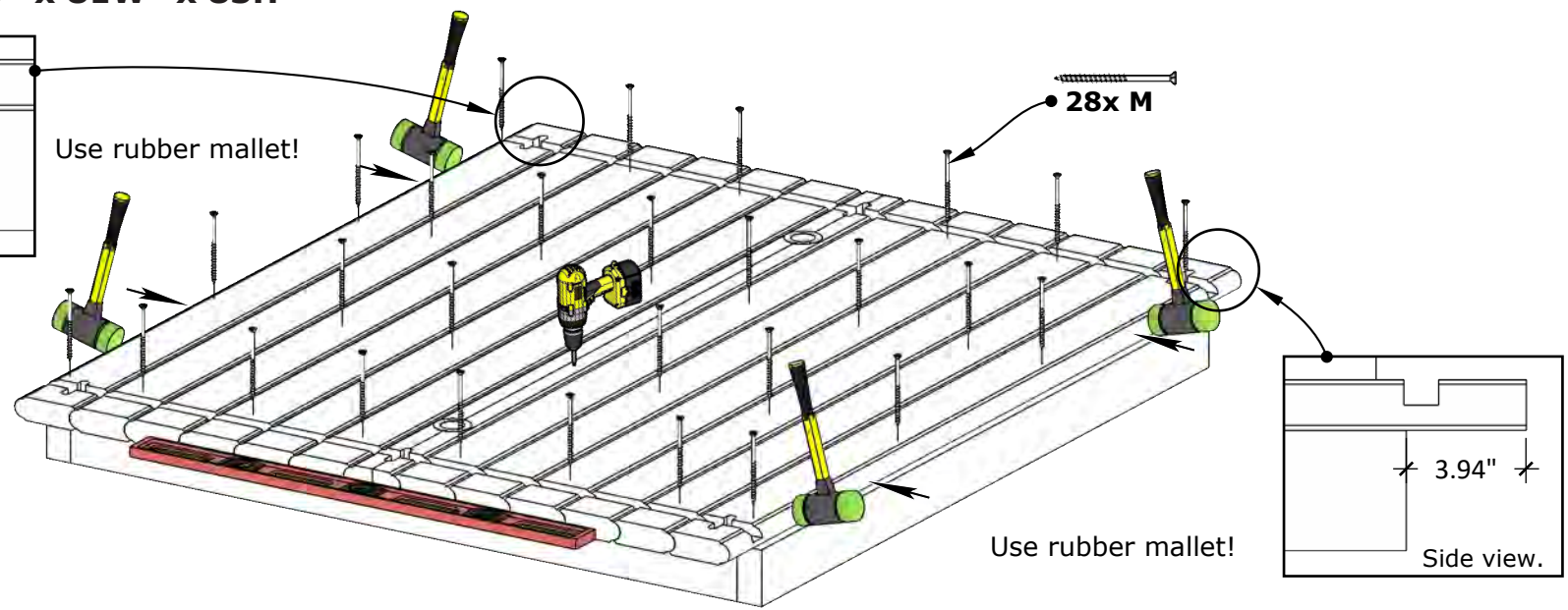
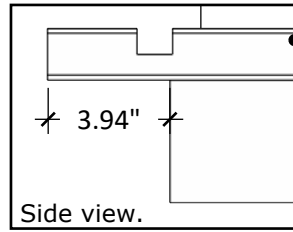
Exterior



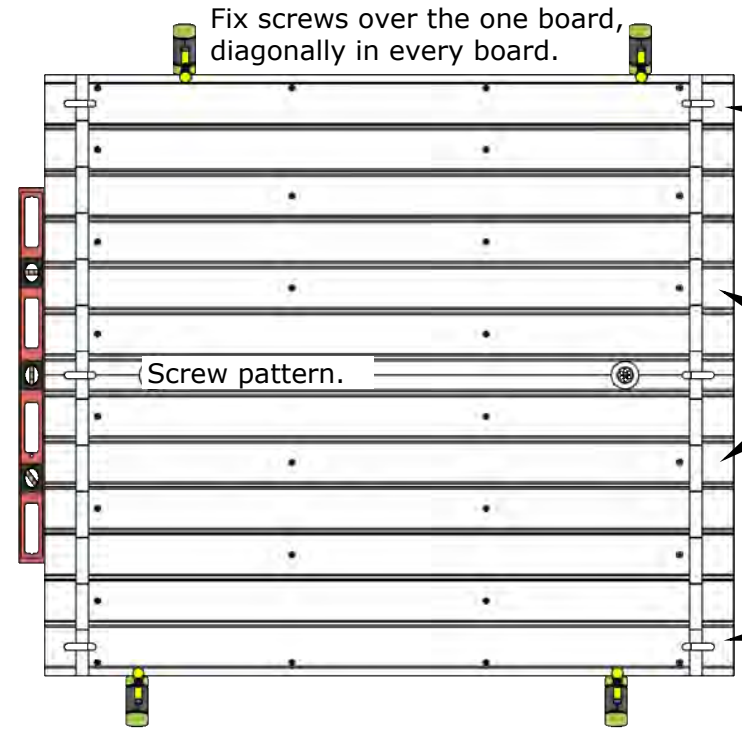
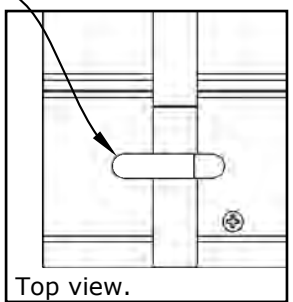
CL5G Outdoor Sauna 63D" x 81W" x 83H"



CL5G Outdoor Sauna 63D" x 81W" x 83H"



DET 3/H have slot at the end.

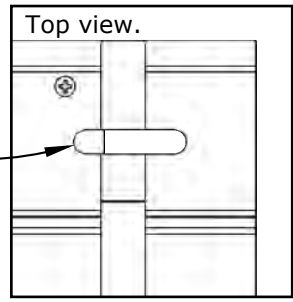


Fix DET 3/H with four screws.
1x DET 3/H

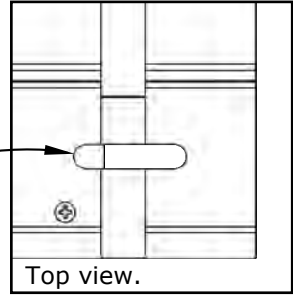
DET 3/H have slot at the end.

10x DET 3

1x DET 3/H
Fix DET 3/H with four screws.

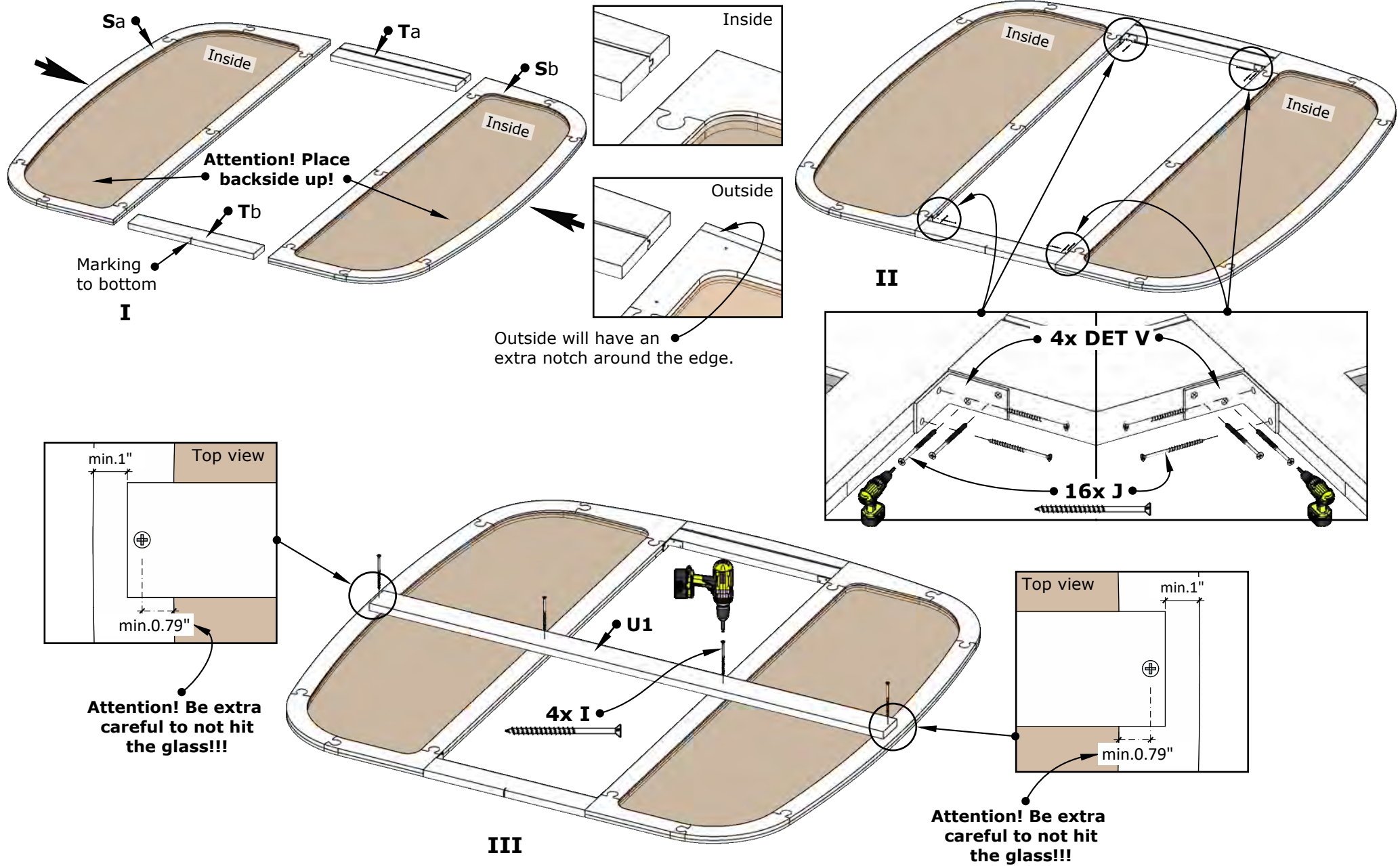


DET 3/H have slot at the end.



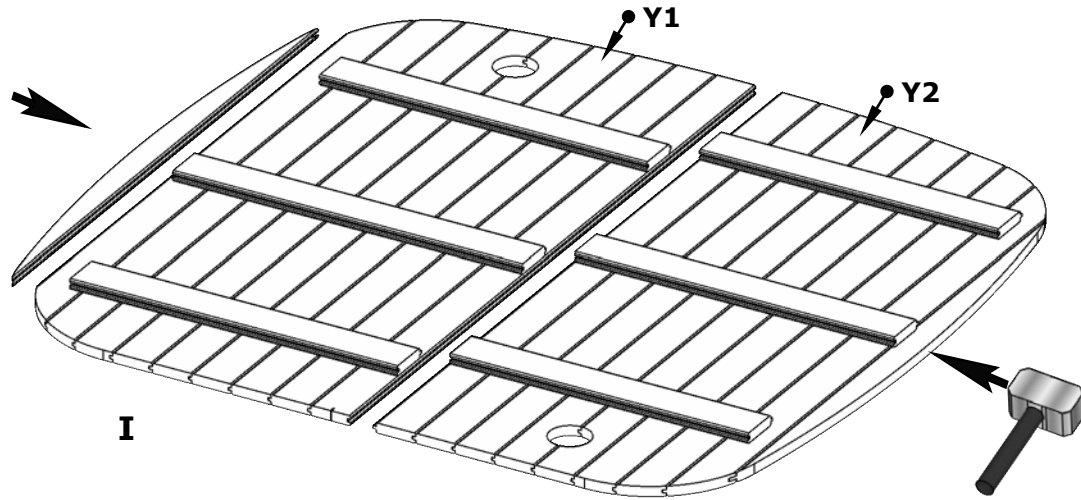
CL5G Outdoor Sauna 63D" x 81W" x 83H"

Front glass-wall assembly

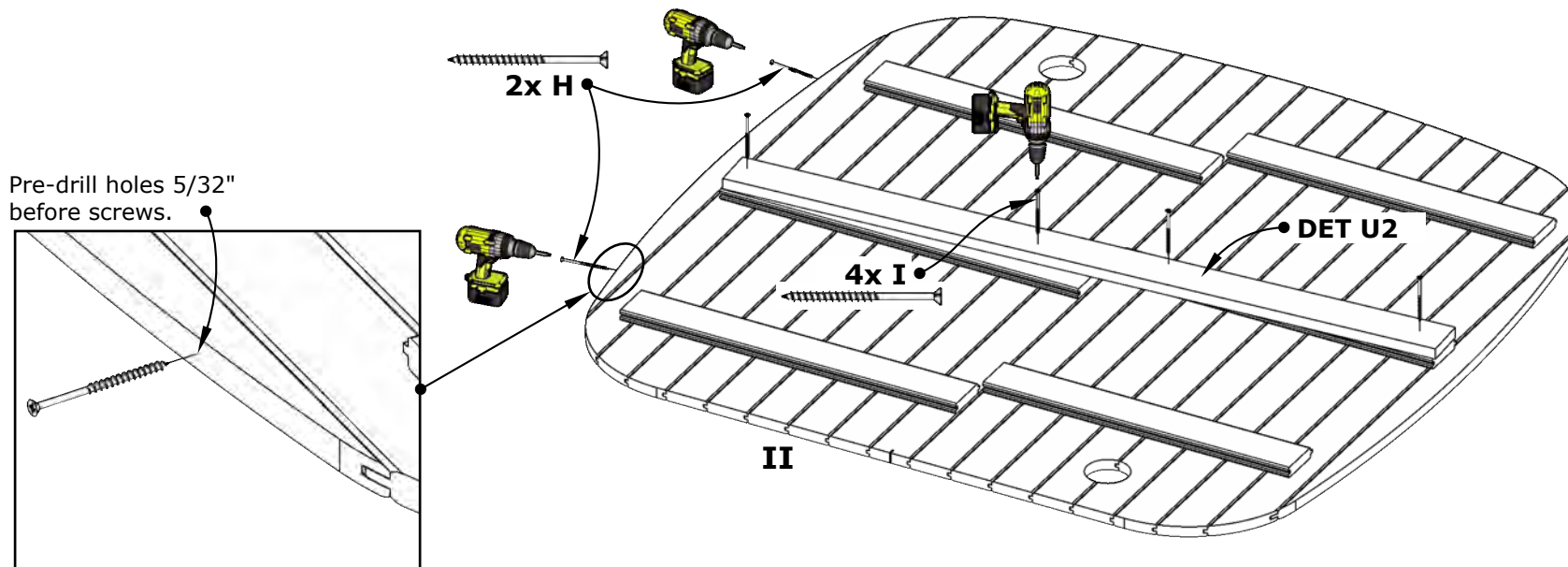


CL5G Outdoor Sauna 63D" x 81W" x 83H"

Wooden back wall assembly



I



Pre-drill holes 5/32"
before screws.

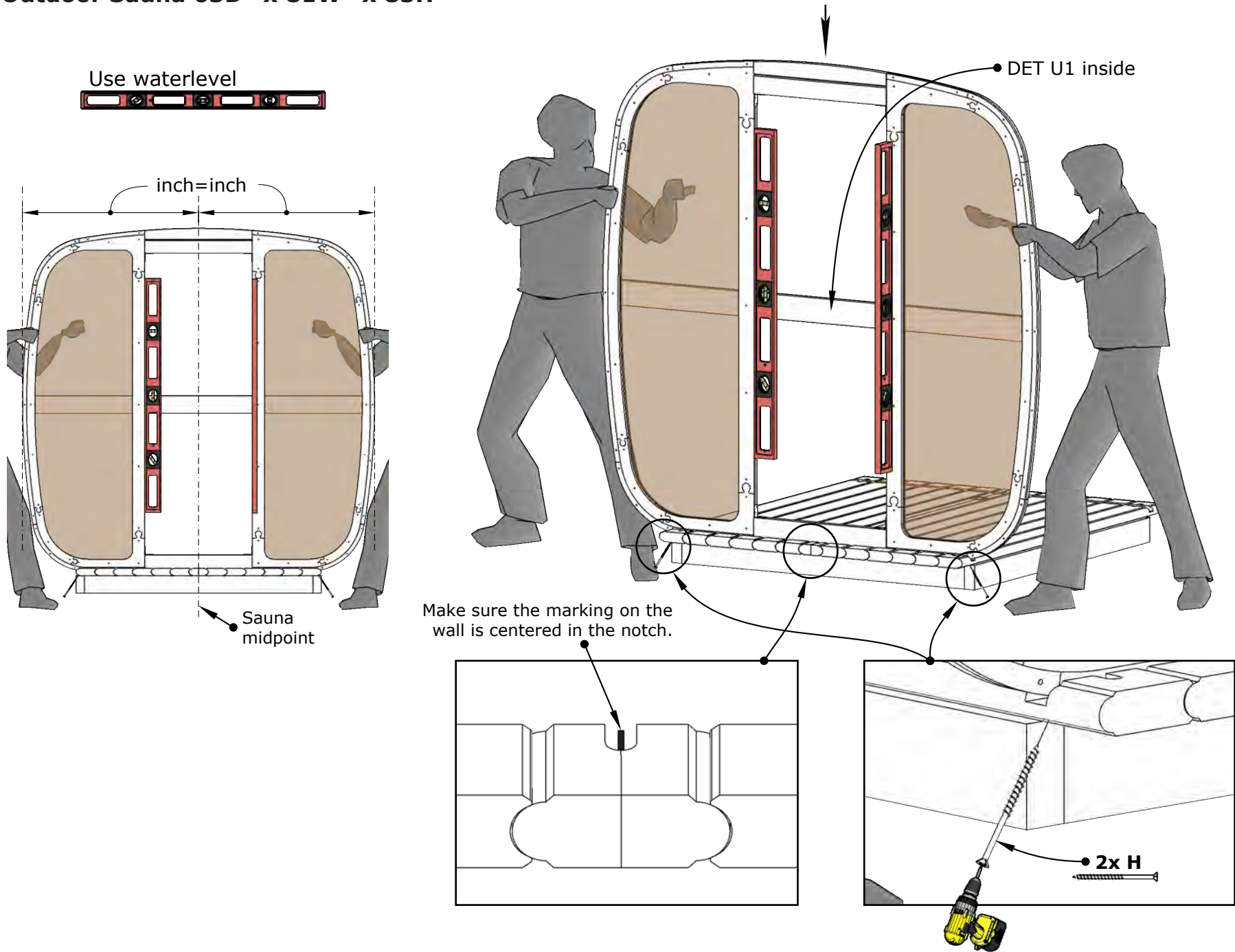
2x H

4x I

DET U2

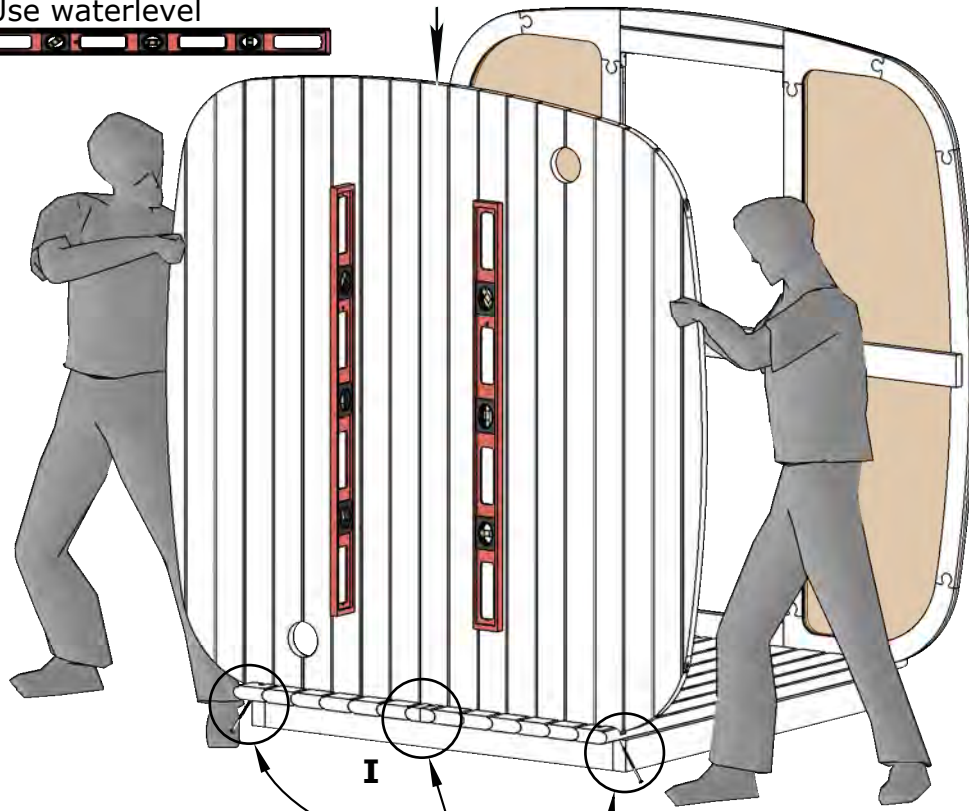
II

CL5G Outdoor Sauna 63D" x 81W" x 83H"



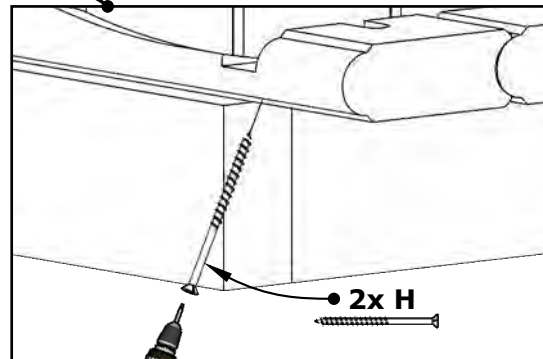
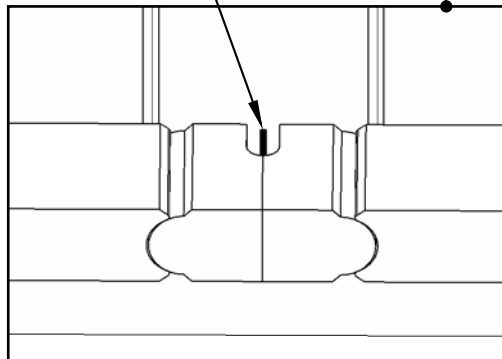
CL5G Outdoor Sauna 63D" x 81W" x 83H"

Use waterlevel

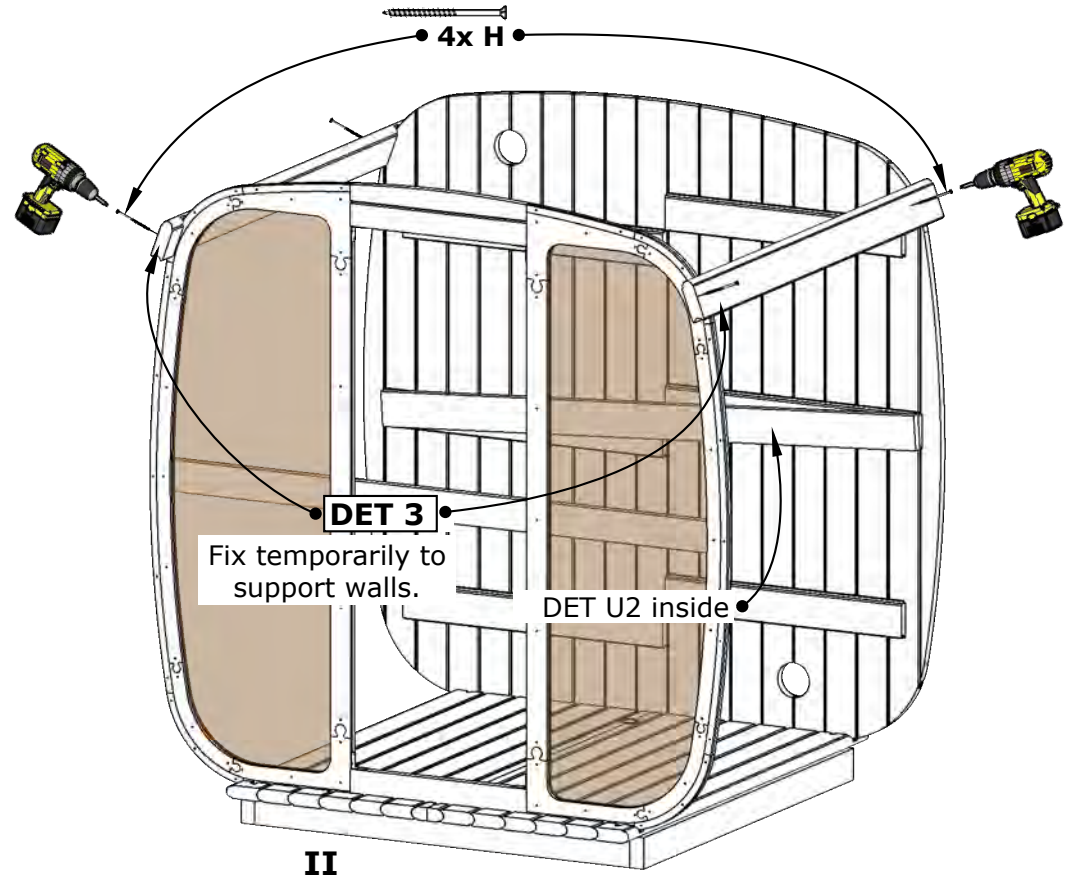


I

Make sure the marking on the wall is centered in the notch.



• 2x H



II

• 4x H

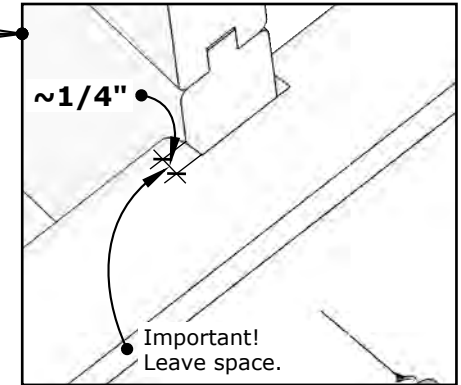
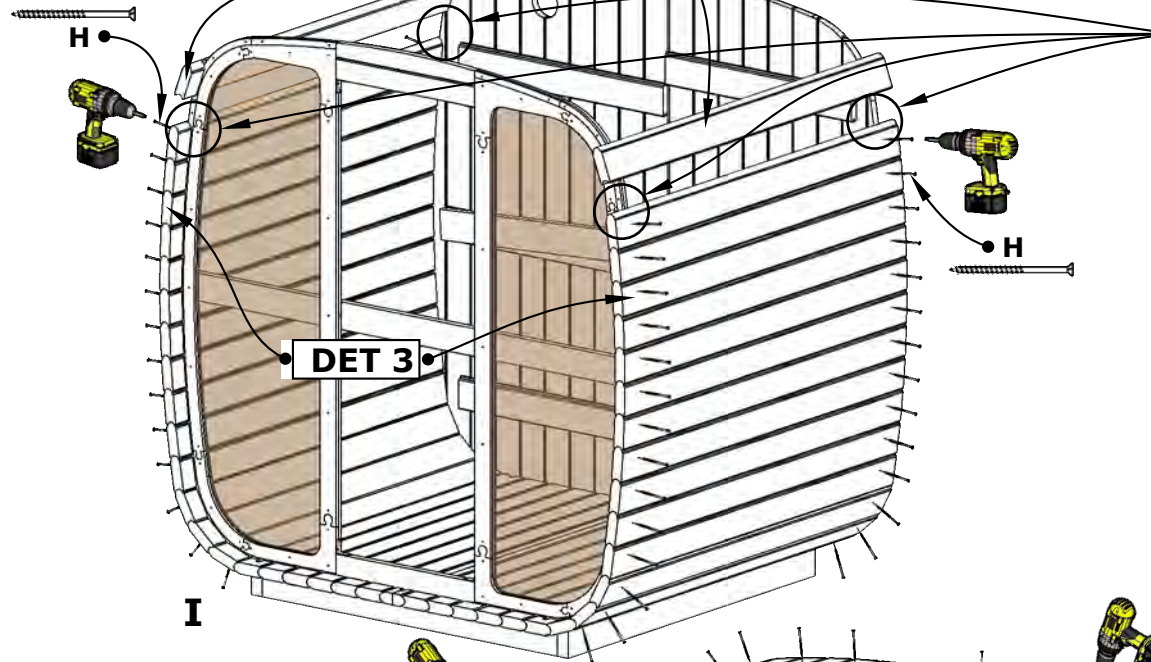
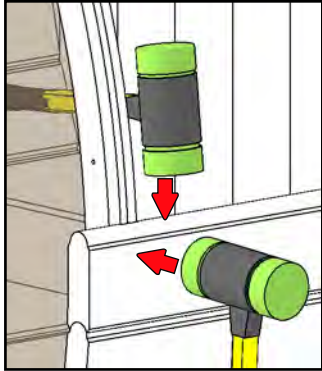
DET 3
Fix temporarily to support walls.

DET U2 inside

CL5G Outdoor Sauna 63D" x 81W" x 83H"

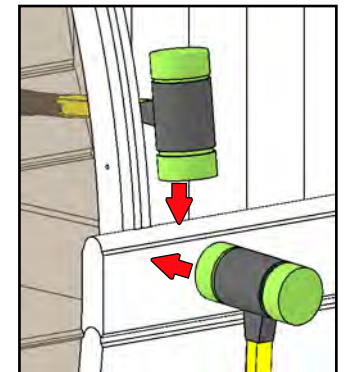
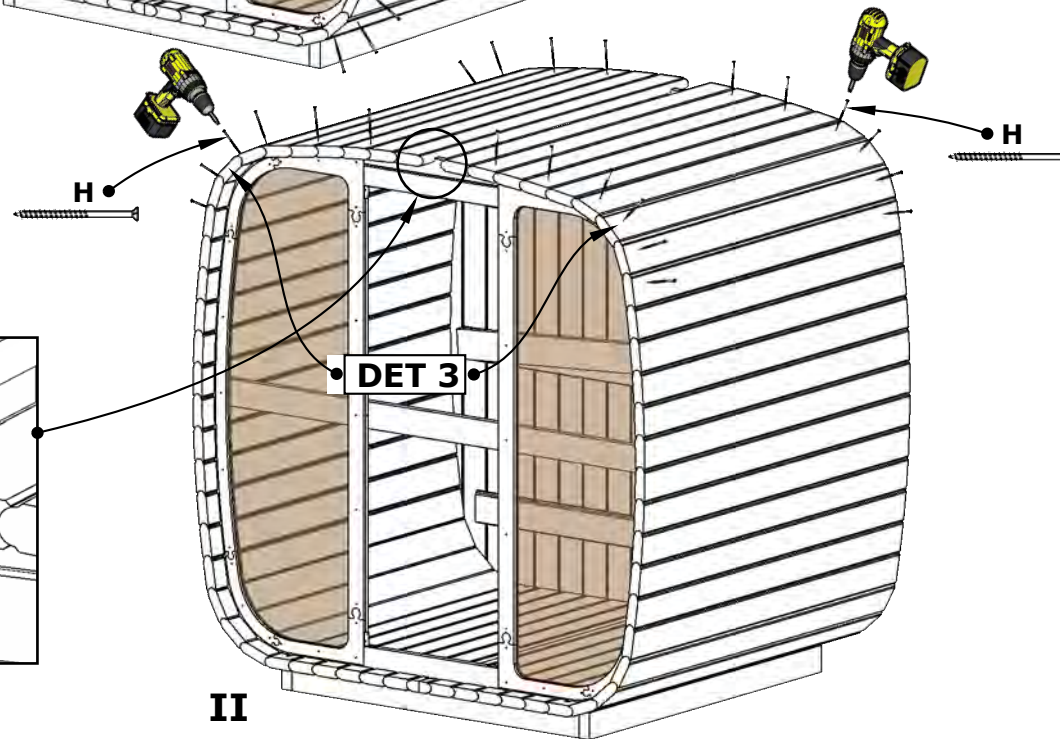
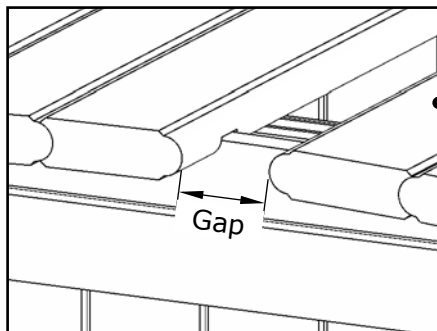
Remove DET 3 from their temporary positions and use during the next step.

Use rubber mallet!



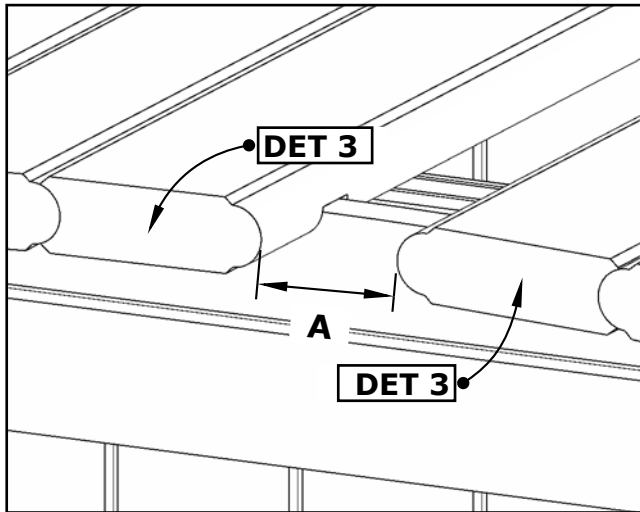
IMPORTANT! Be sure to leave a 1/4" gap when tightening screws to leave room for adjustment when the outer bands (A2) are installed.

See the next page.

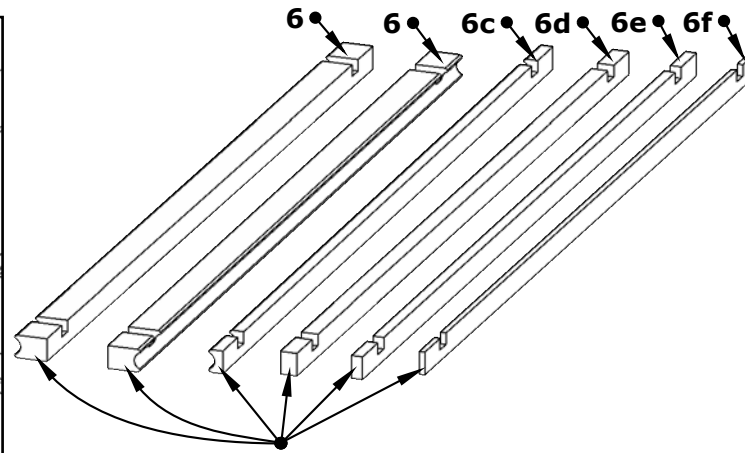


Use rubber mallet!

CL5G Outdoor Sauna 63D" x 81W" x 83H"

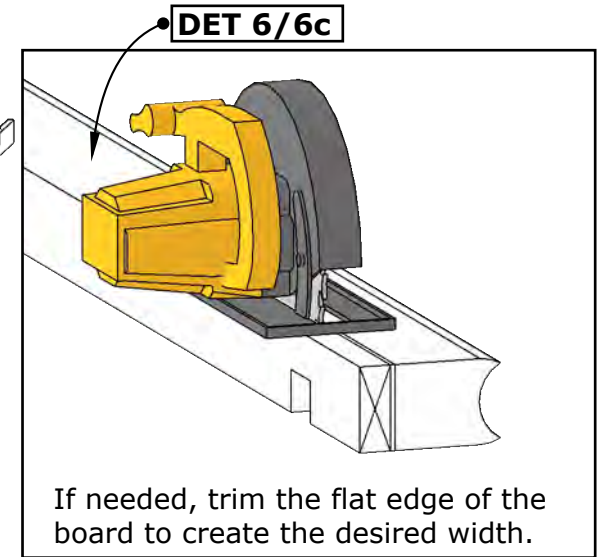


I

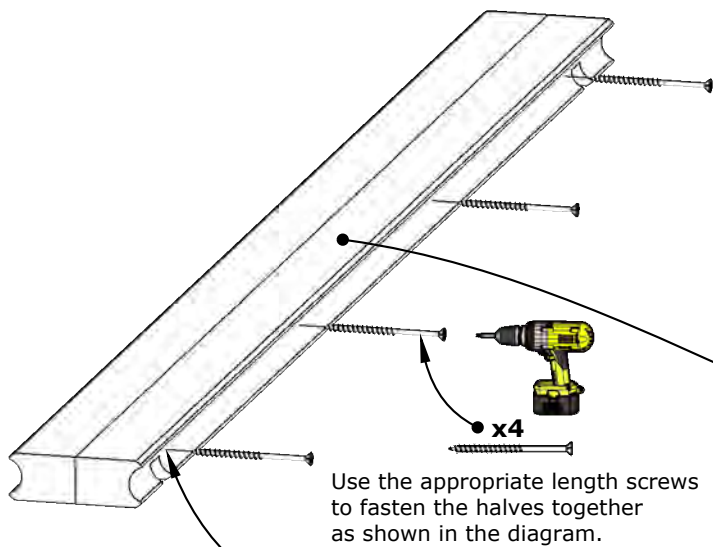


Join boards together (as shown in diagram III) that will bridge the width of the "A" gap. It is recommended that the combined boards are approximately 1/4" wider than the gap.

II



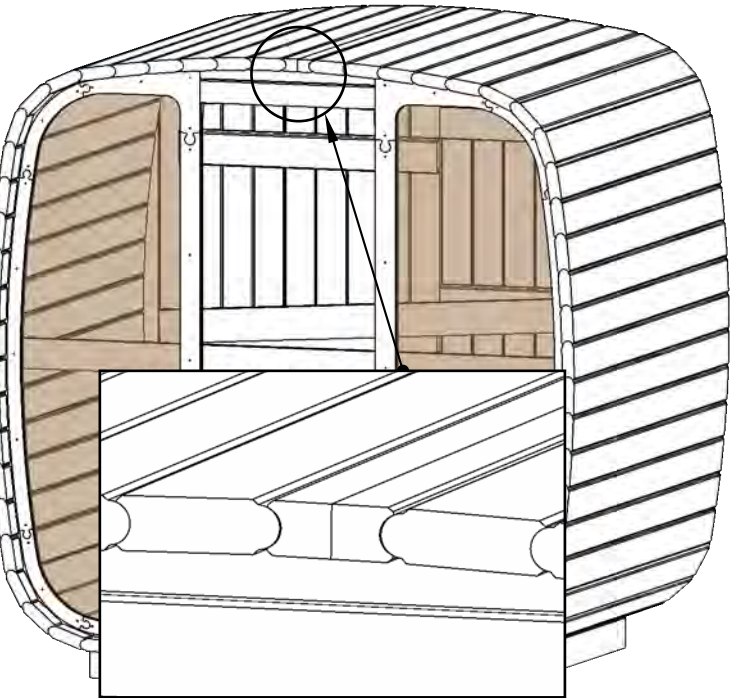
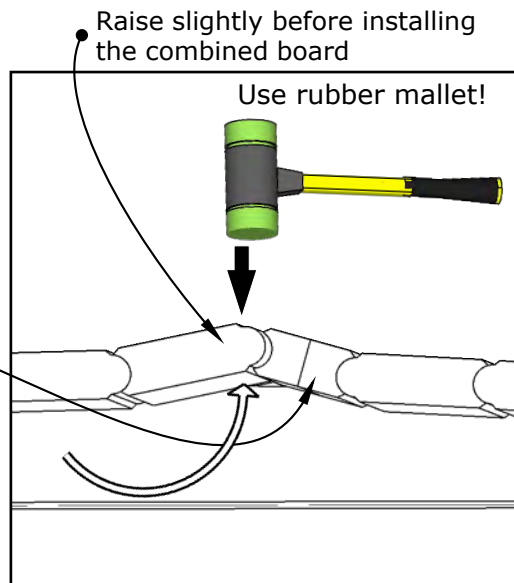
If needed, trim the flat edge of the board to create the desired width.



Use the appropriate length screws to fasten the halves together as shown in the diagram.

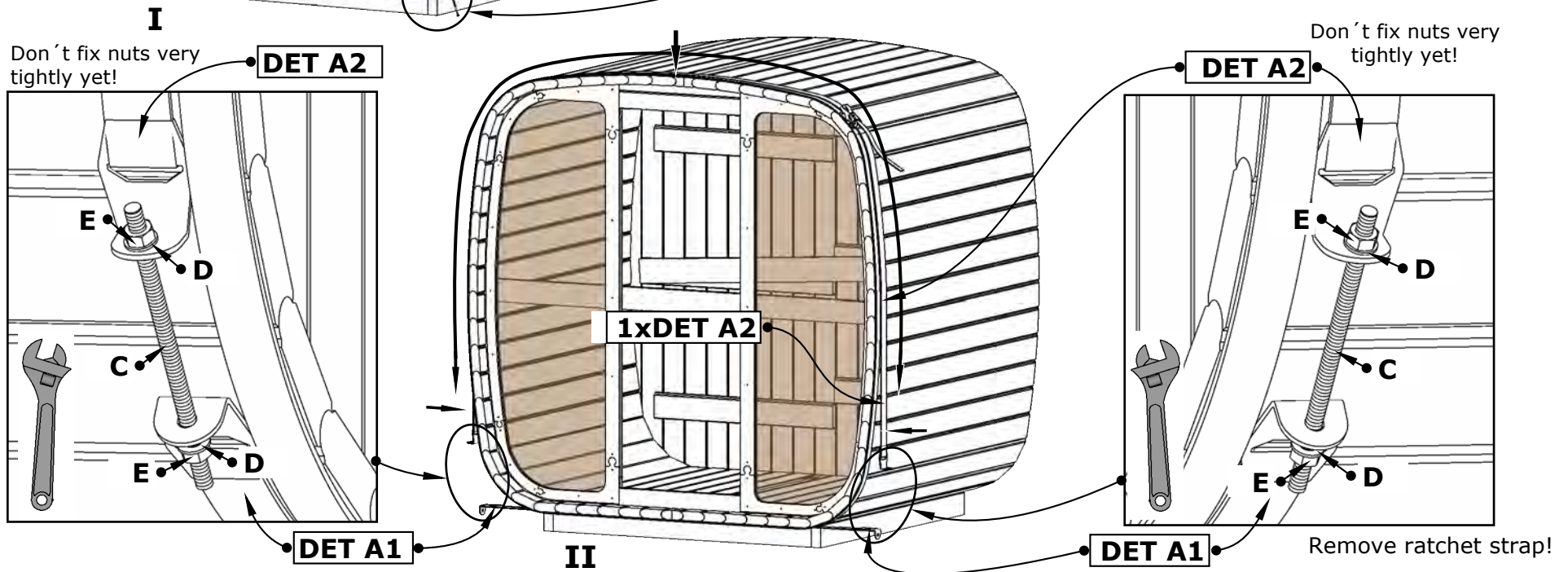
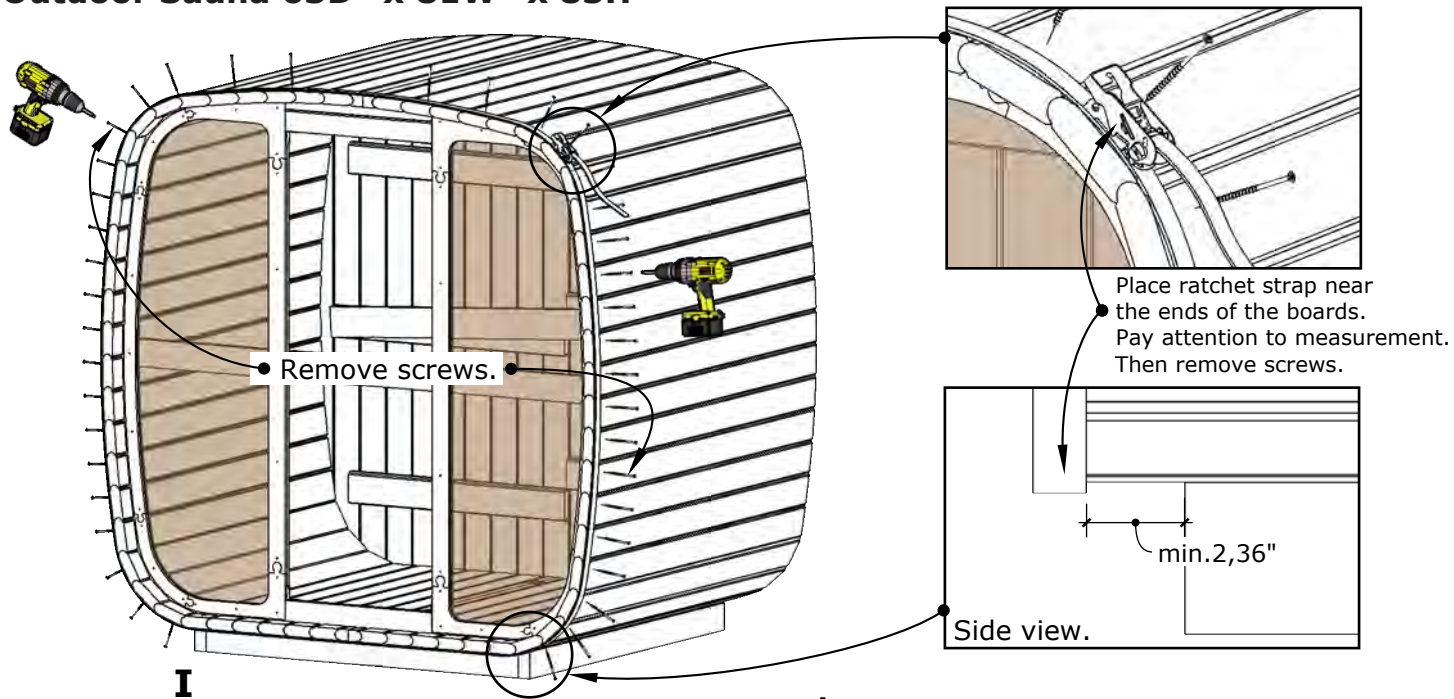
III

• Pre-drill holes \varnothing 5/32"

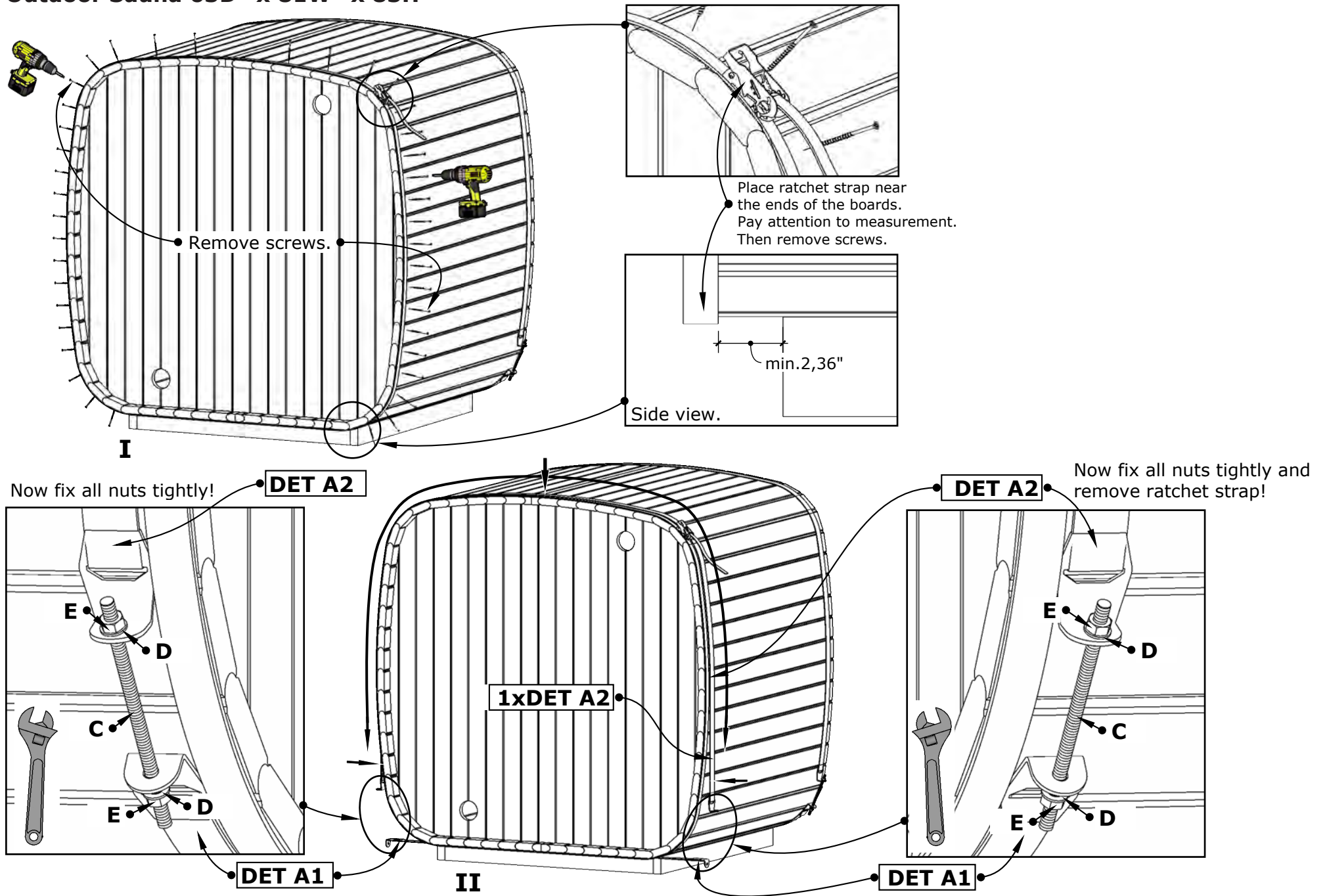


IV

CL5G Outdoor Sauna 63D" x 81W" x 83H"

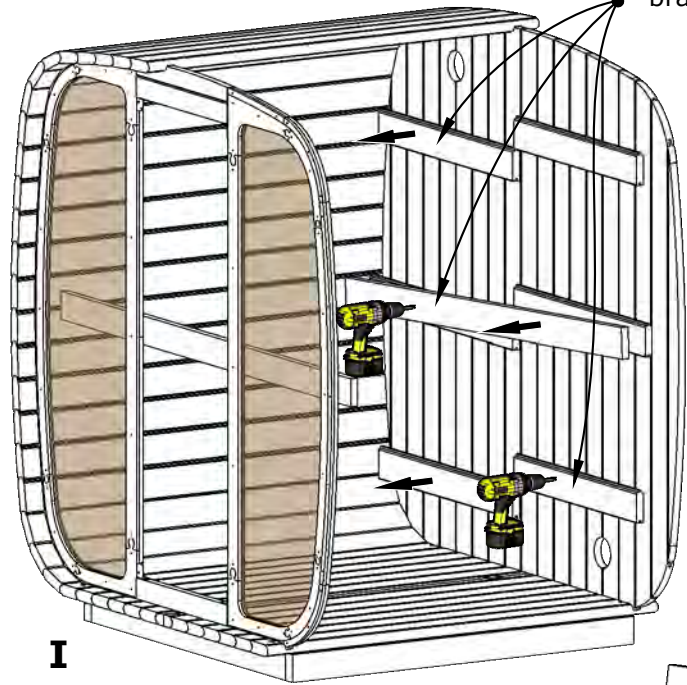


CL5G Outdoor Sauna 63D" x 81W" x 83H"

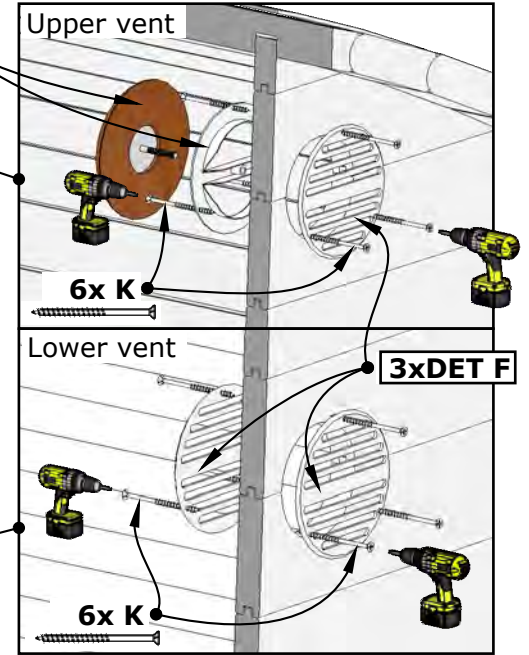
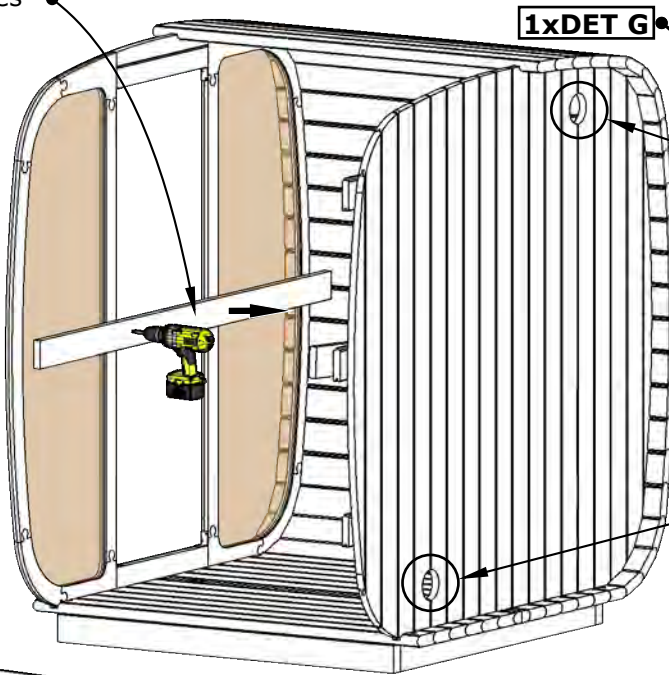


CL5G Outdoor Sauna 63D" x 81W" x 83H"

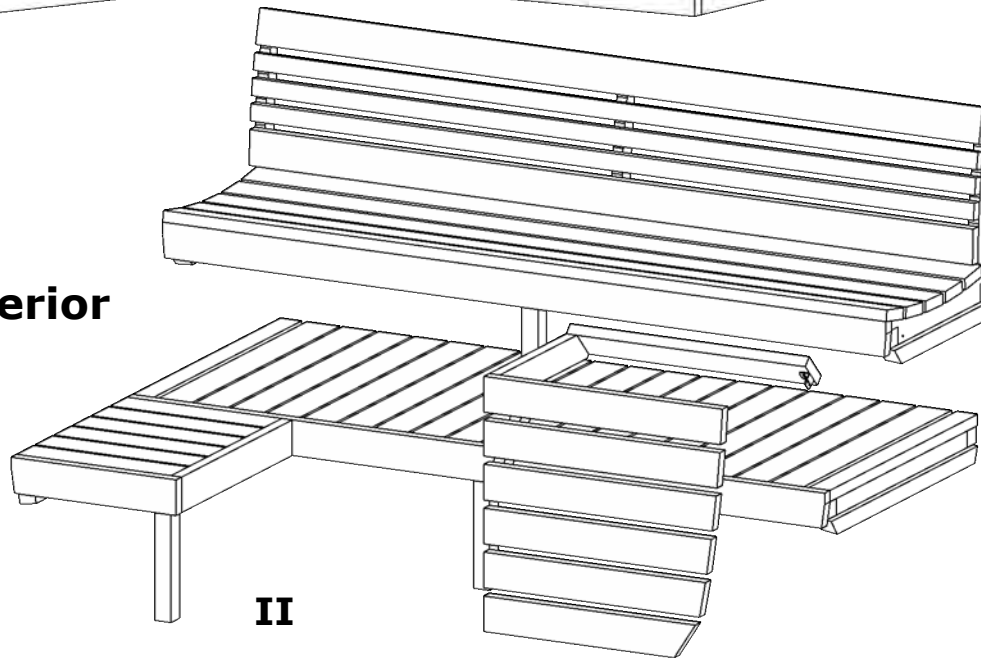
Remove all temporary braces



I



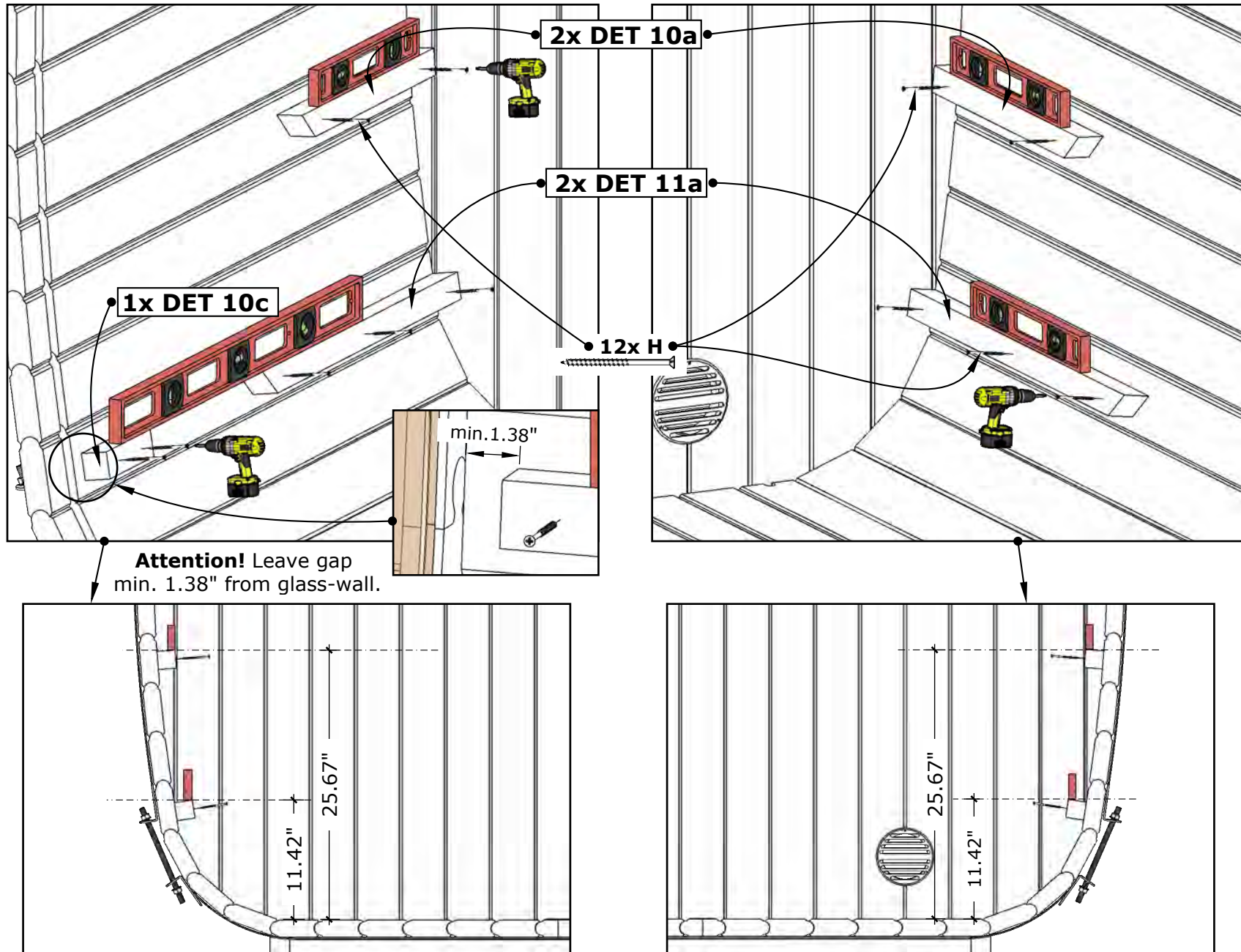
Interior



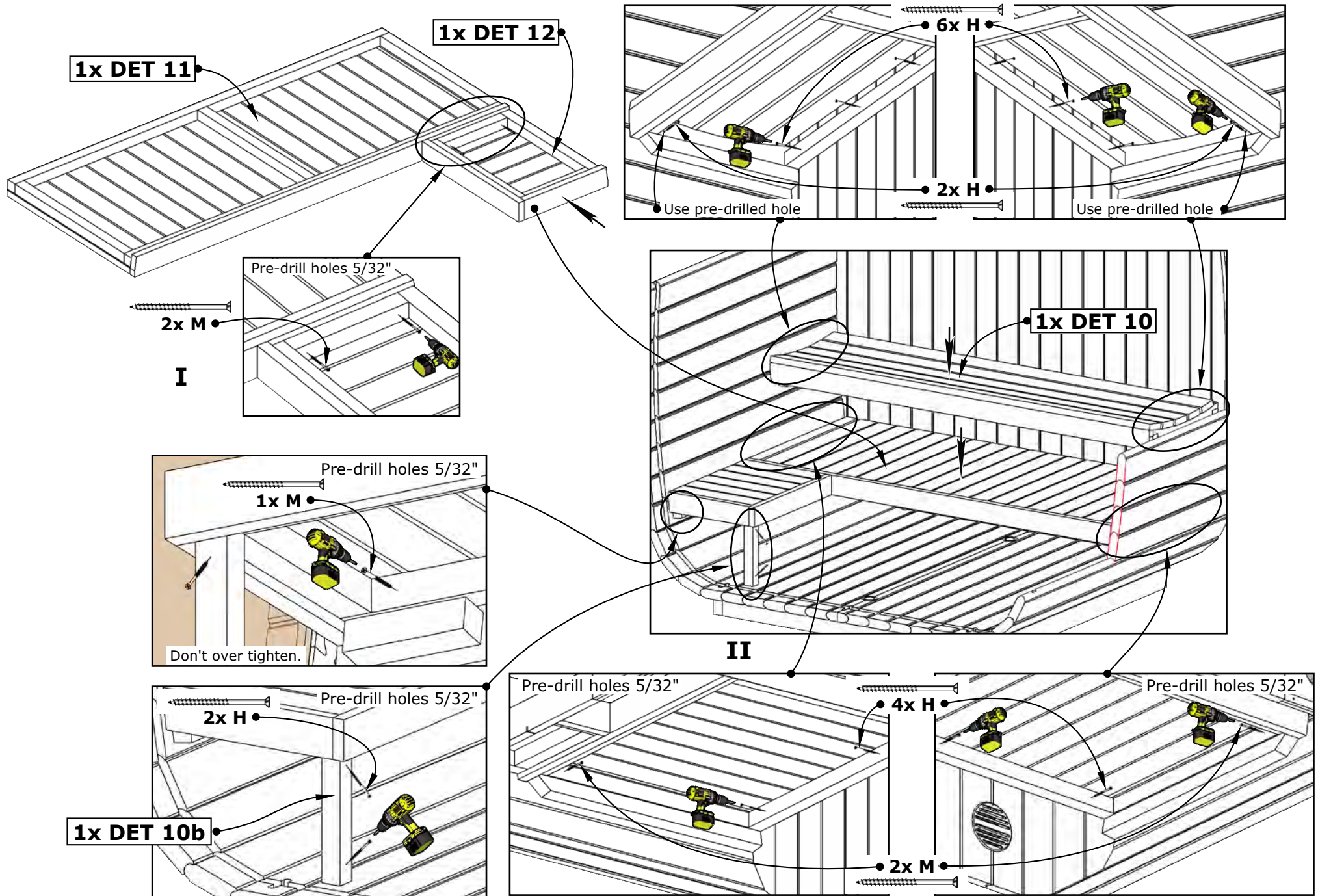
II

CL5G Outdoor Sauna 63D" x 81W" x 83H"

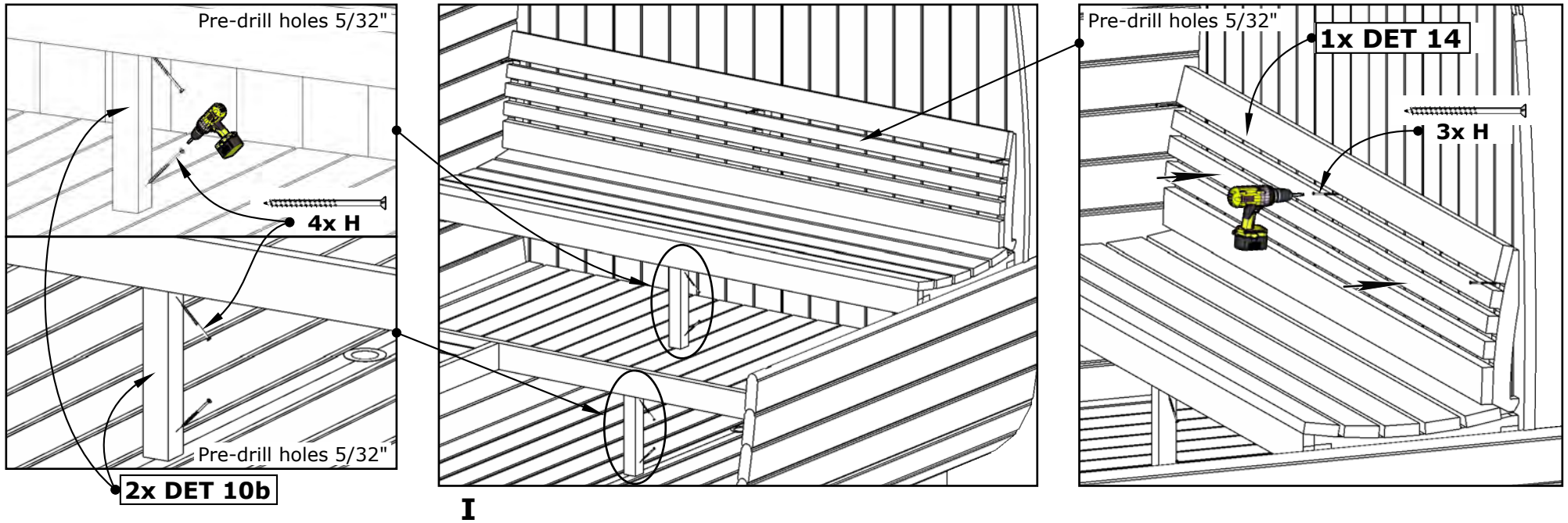
Use waterlevel for installation!



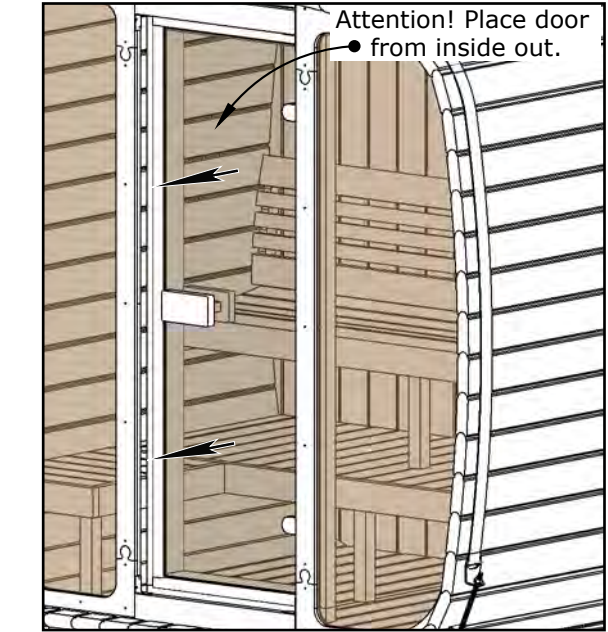
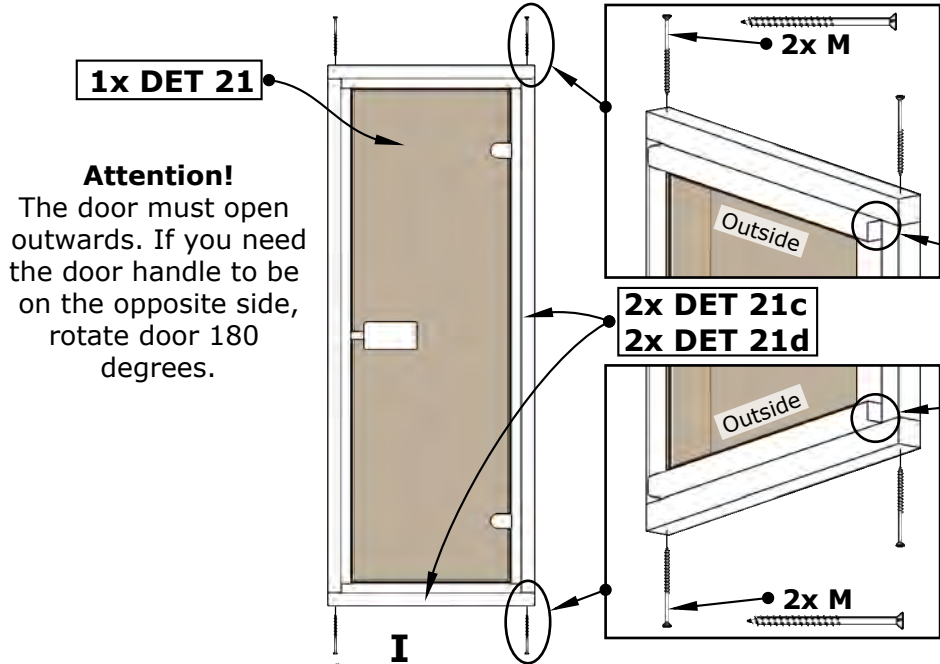
CL5G Outdoor Sauna 63D" x 81W" x 83H"



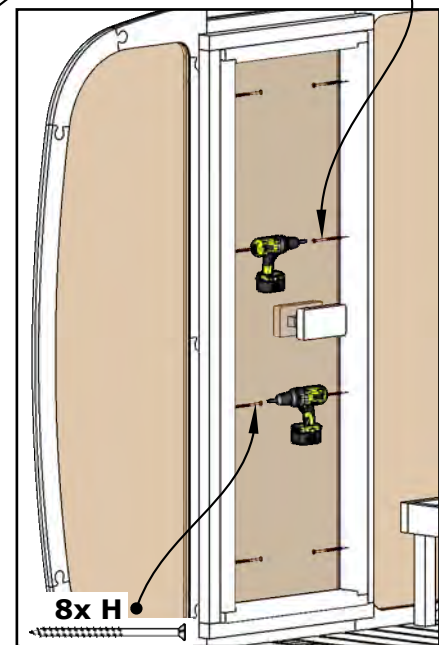
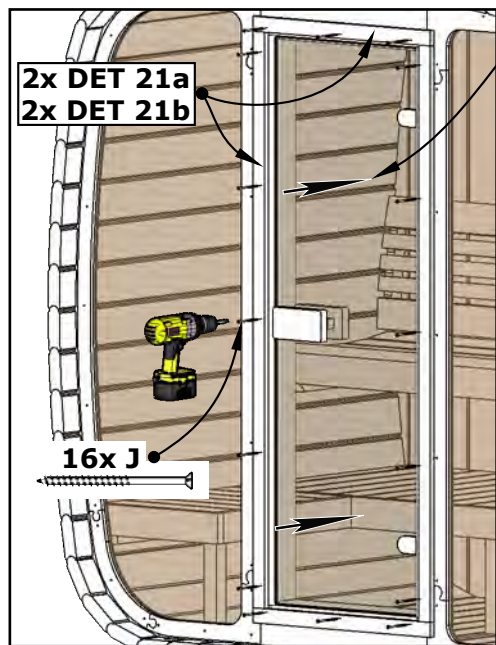
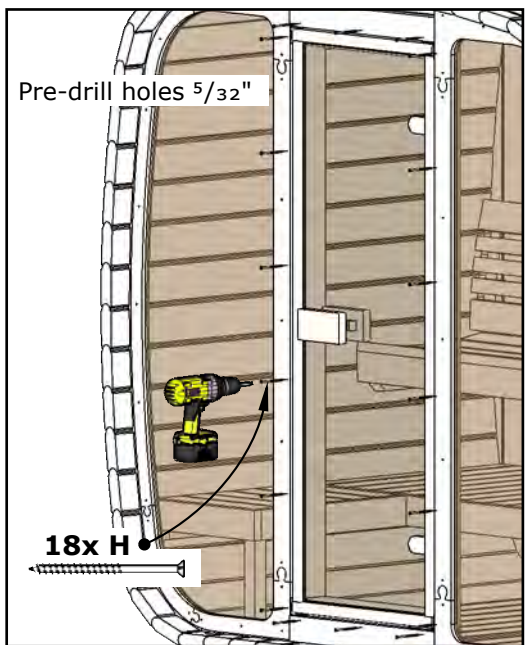
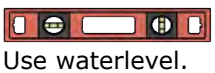
CL5G Outdoor Sauna 63D" x 81W" x 83H"



CL5G Outdoor Sauna 63D" x 81W" x 83H"

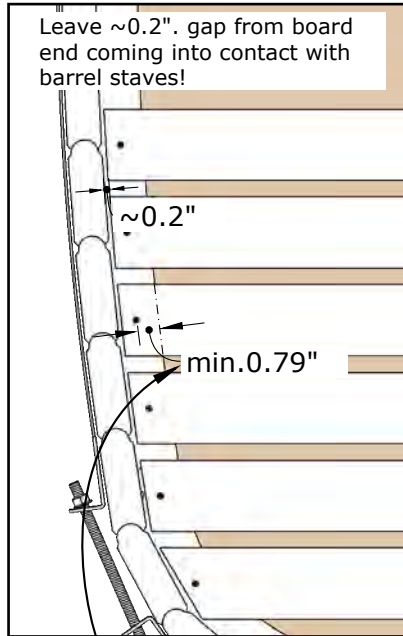


Ensure door frame is pressed tightly against the wall and fasten from inside.

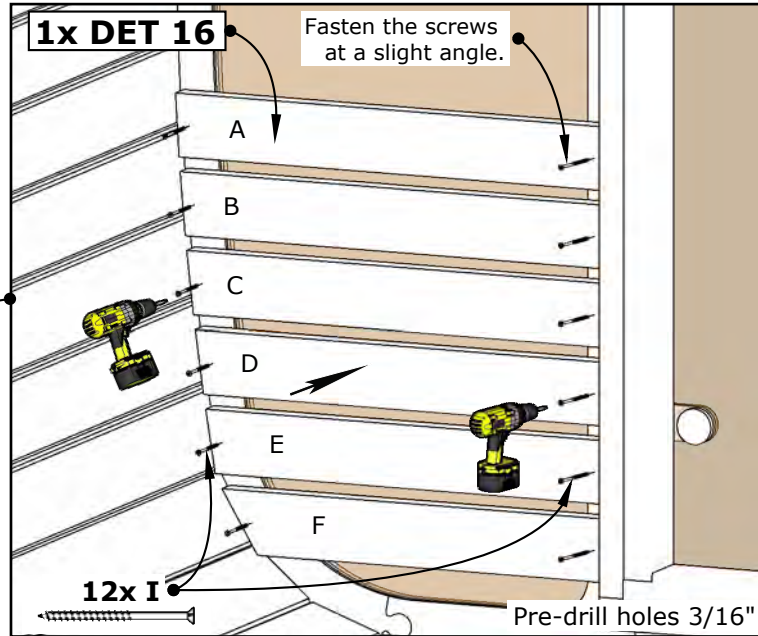


CL5G Outdoor Sauna 63D" x 81W" x 83H"

Please be careful!!! Do not hit the glass with the screw.

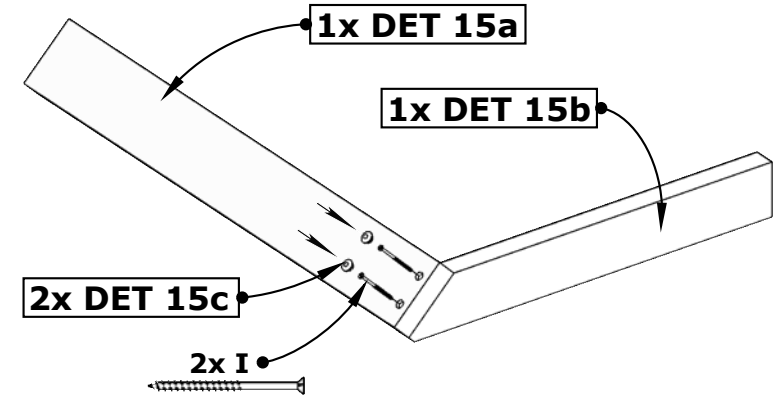


Please be careful!!! Do not hit the glass with the screw.



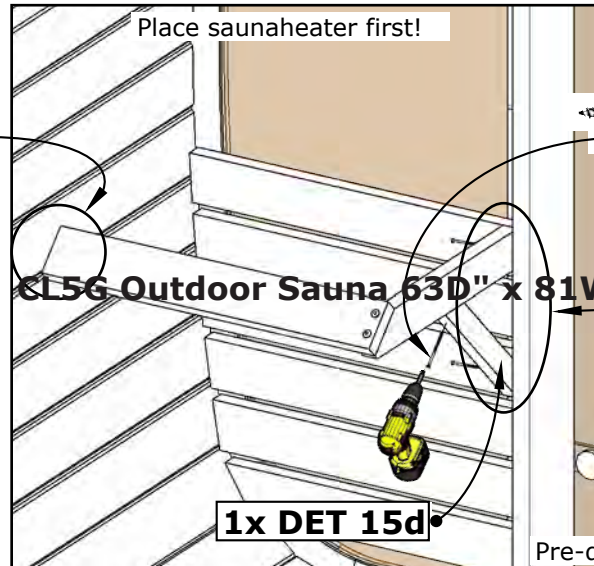
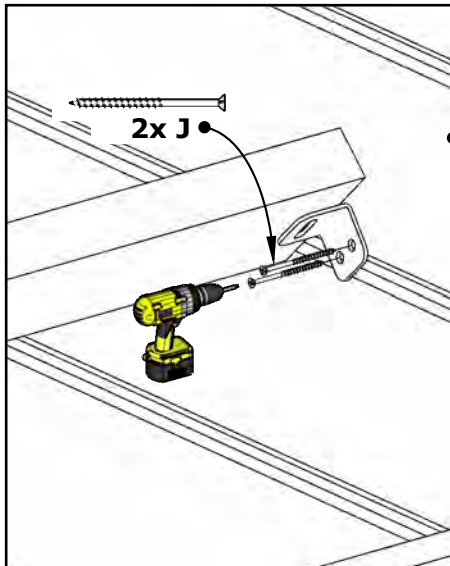
I

ATTENTION!
HEATER GUARD MAY NOT MEET THE SAFETY DISTANCES OF ALL HEATERS AND SHOULD NOT BE USED IF THE HEATER DOES NOT FIT!

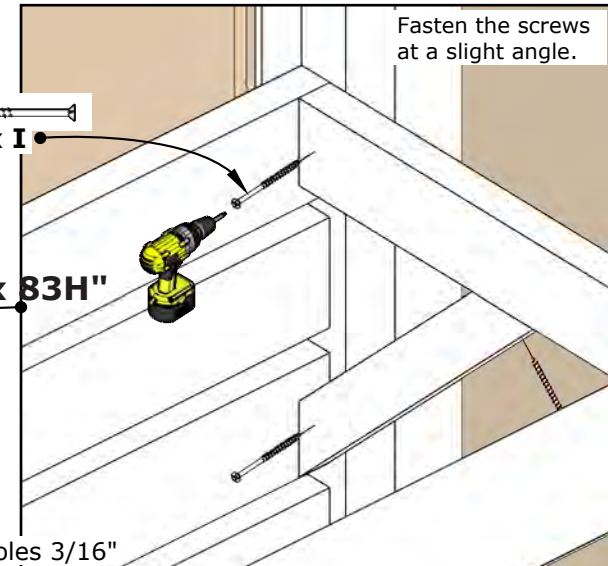


If Your sauna heater is smaller, You can cut DET 15b to length from the non-tapered end to better fit your heater.

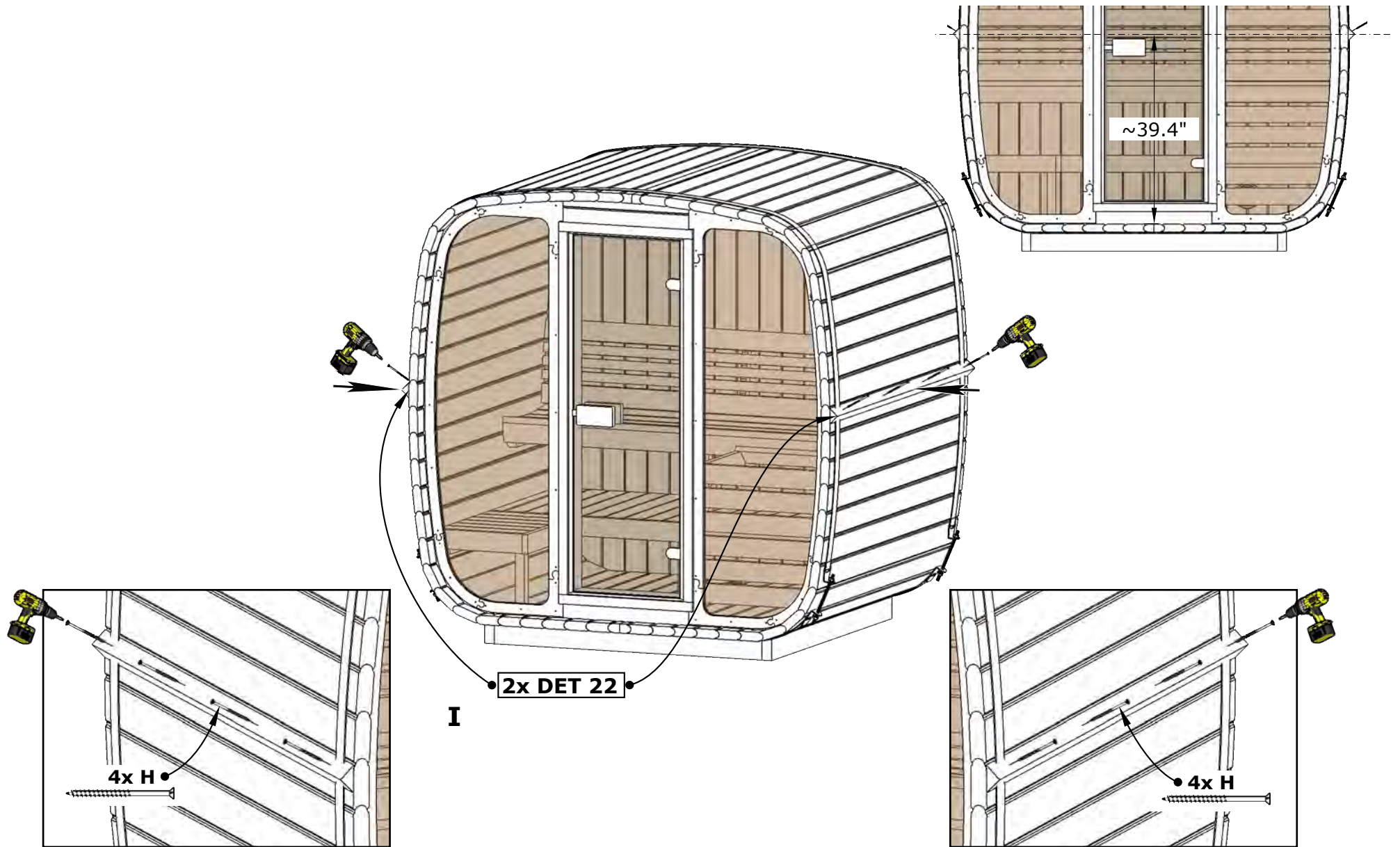
II



III

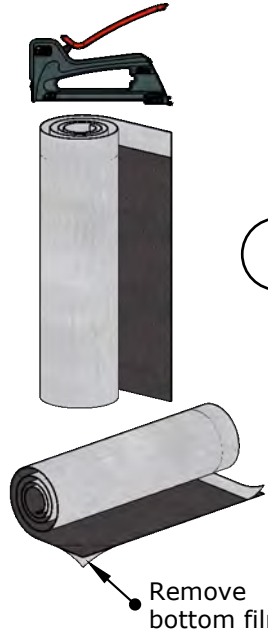


CL5G Outdoor Sauna 63D" x 81W" x 83H"

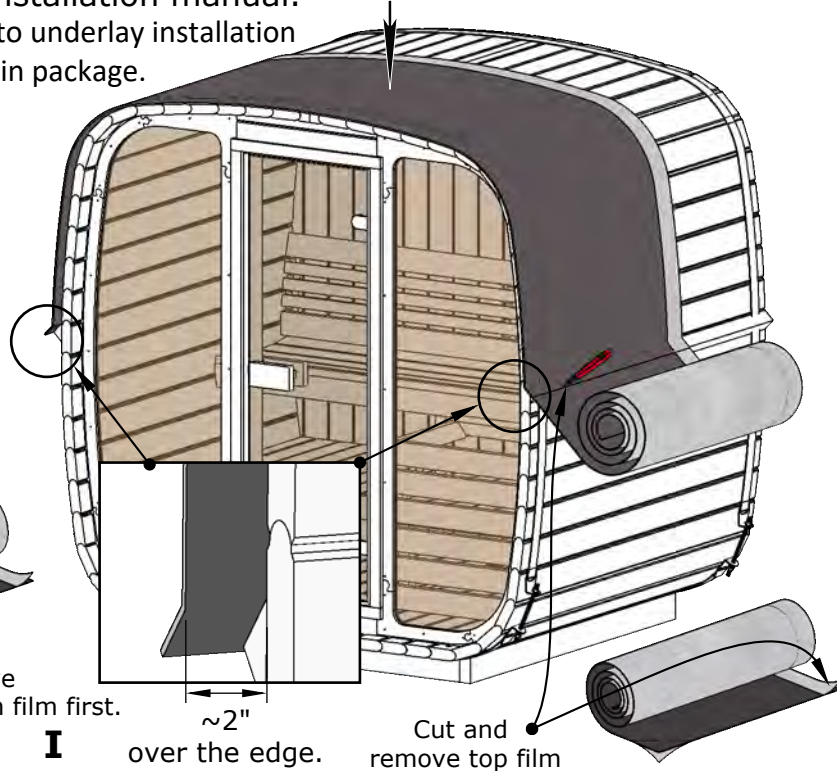


CL5G Outdoor Sauna 63D" x 81W" x 83H"

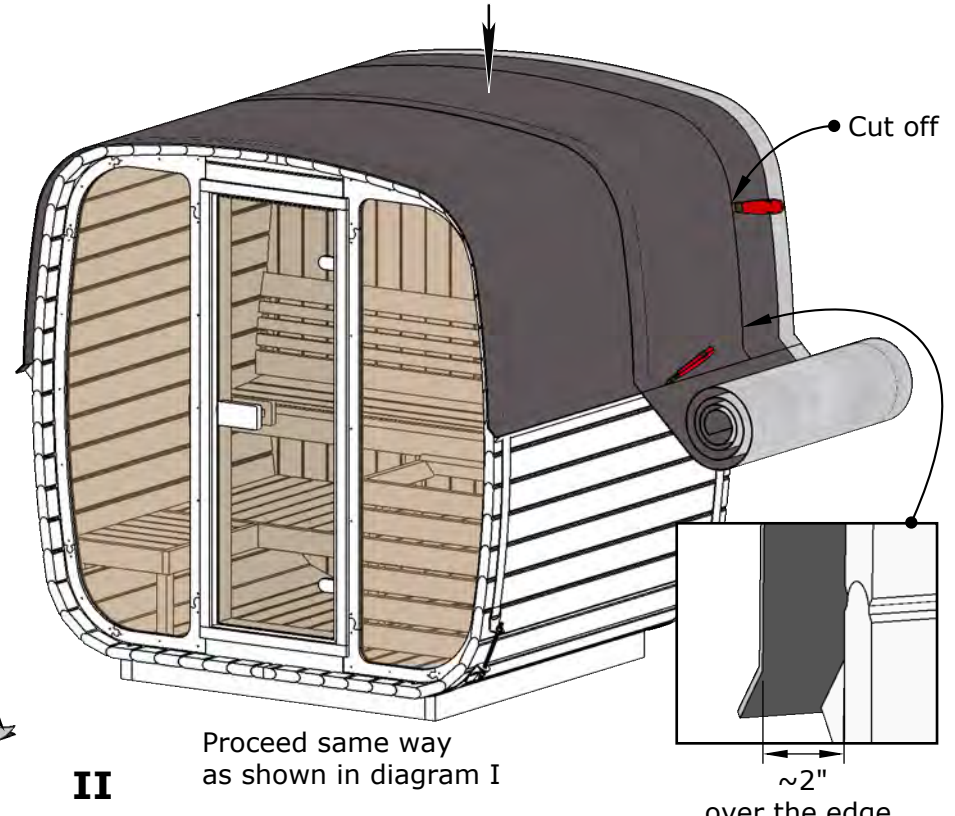
Underlay felt installation manual.
Attention! Refer to underlay installation manual provided in package.



Remove bottom film first.

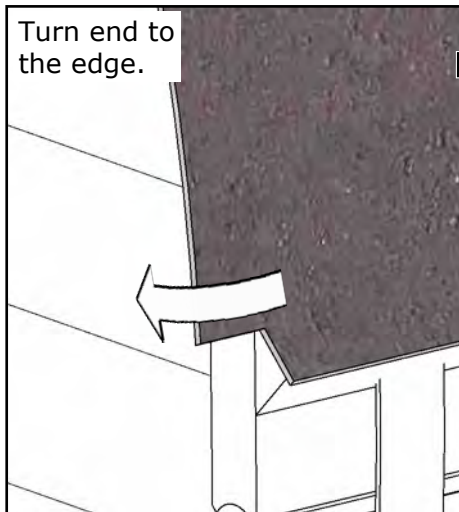


I over the edge. Cut and remove top film

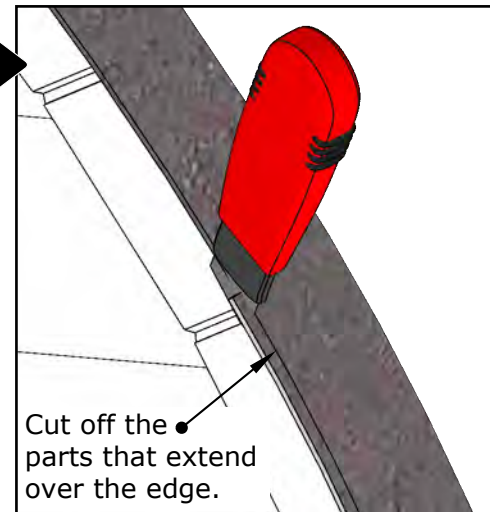
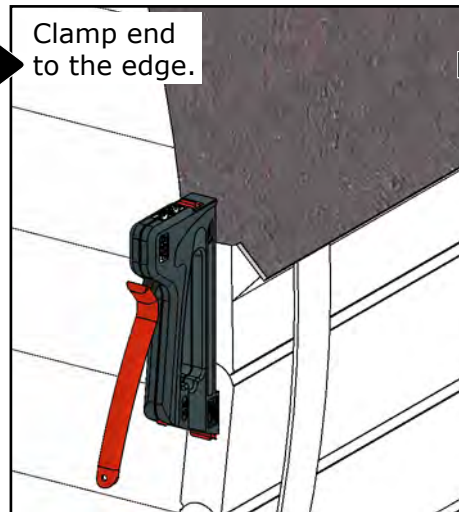


II Proceed same way as shown in diagram I

~2" over the edge.

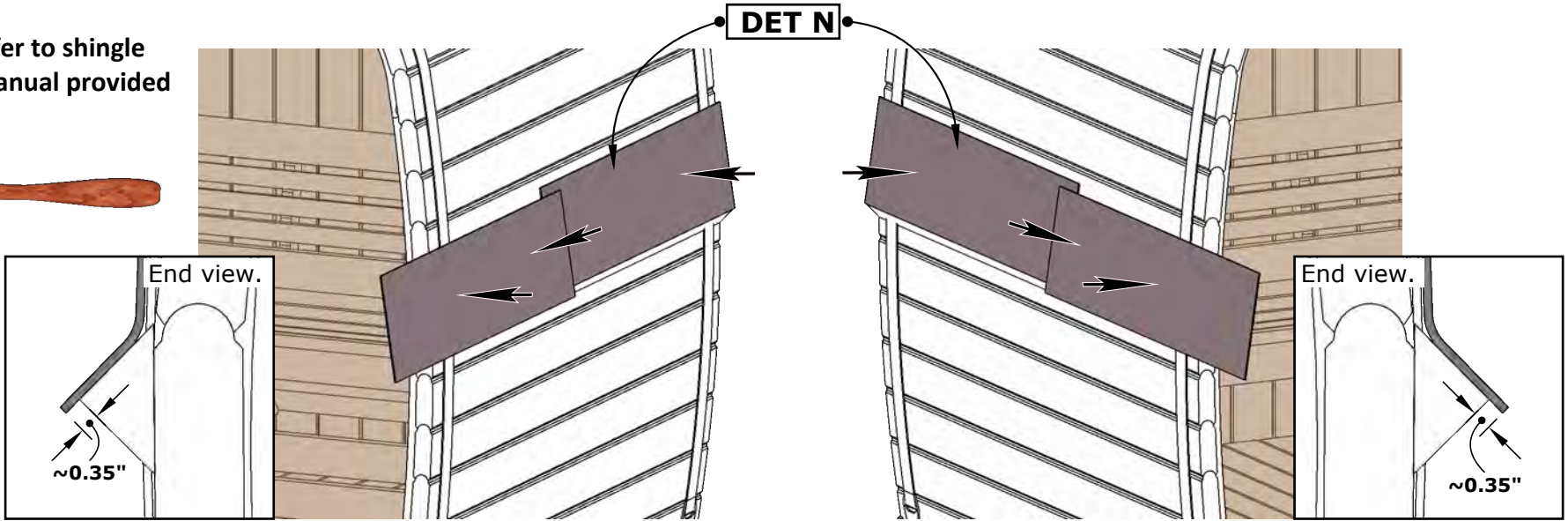


III

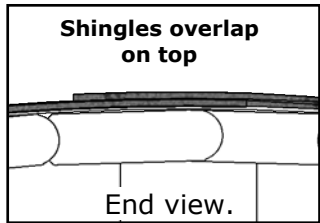


CL5G Outdoor Sauna 63D" x 81W" x 83H"

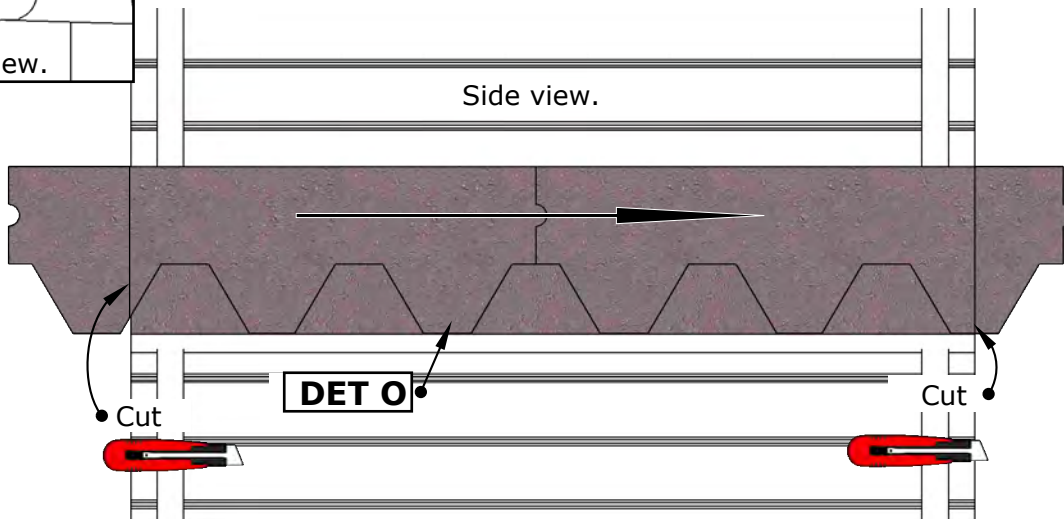
Attention! Refer to shingle installation manual provided in package.



I

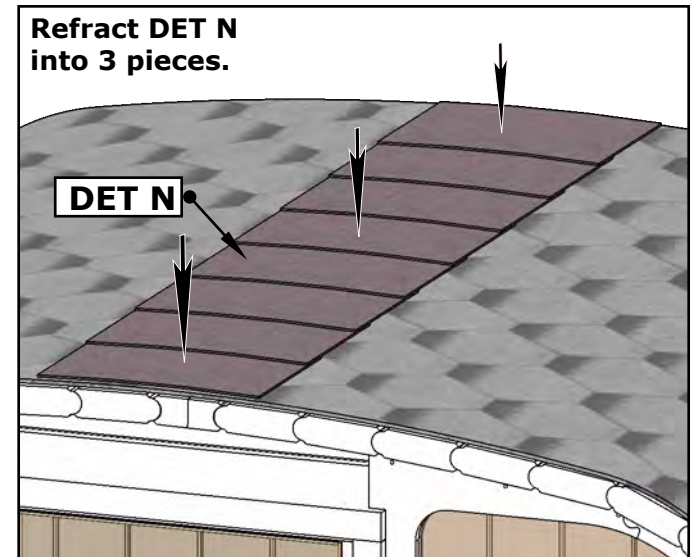


Attention! Refer to shingle installation manual provided in package.



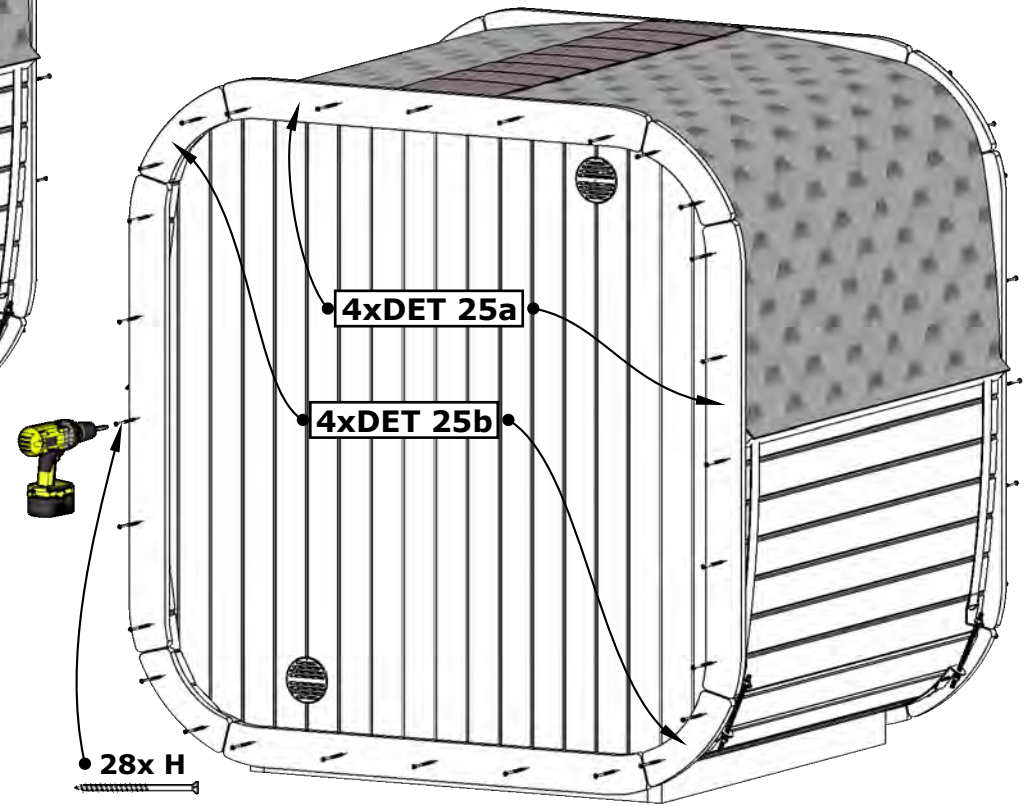
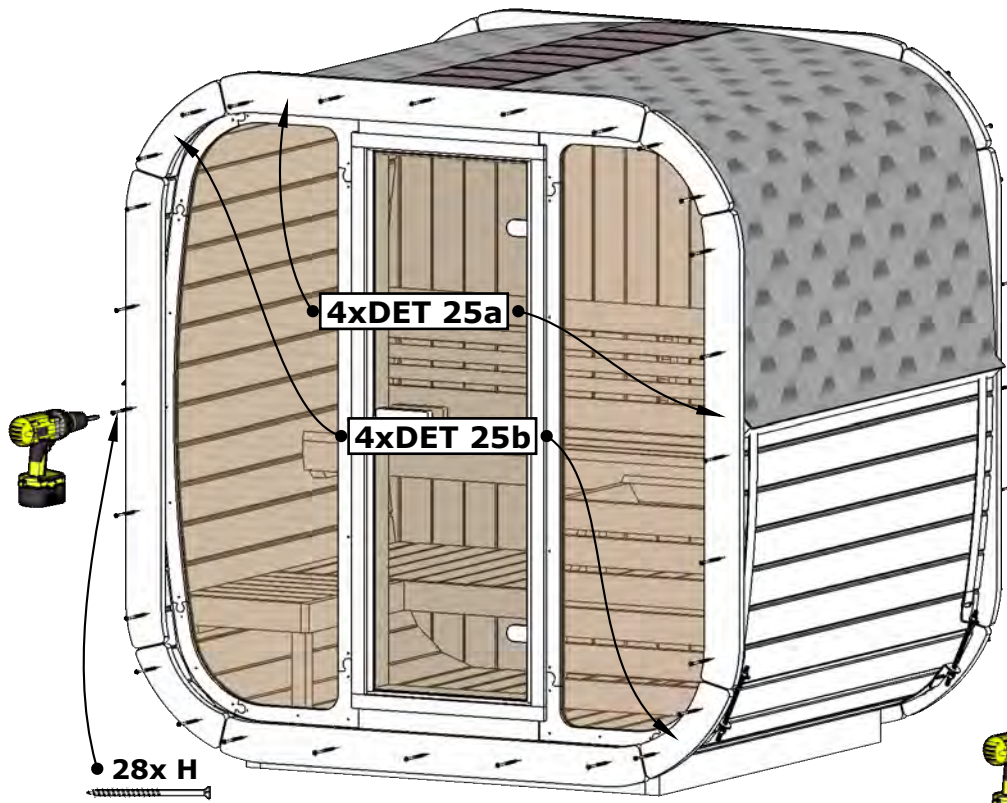
II

Attention! Refer to shingle installation manual provided in package.



III

CL5G Outdoor Sauna 63D" x 81W" x 83H"



Installation Instructions

When building a wooden product, it is important to follow all installation instructions to ensure the quality and durability is guaranteed.

Important!

Identification number of the Product / Serial Number: **123456789**

Must be accompanied by the serial number to identify the product.

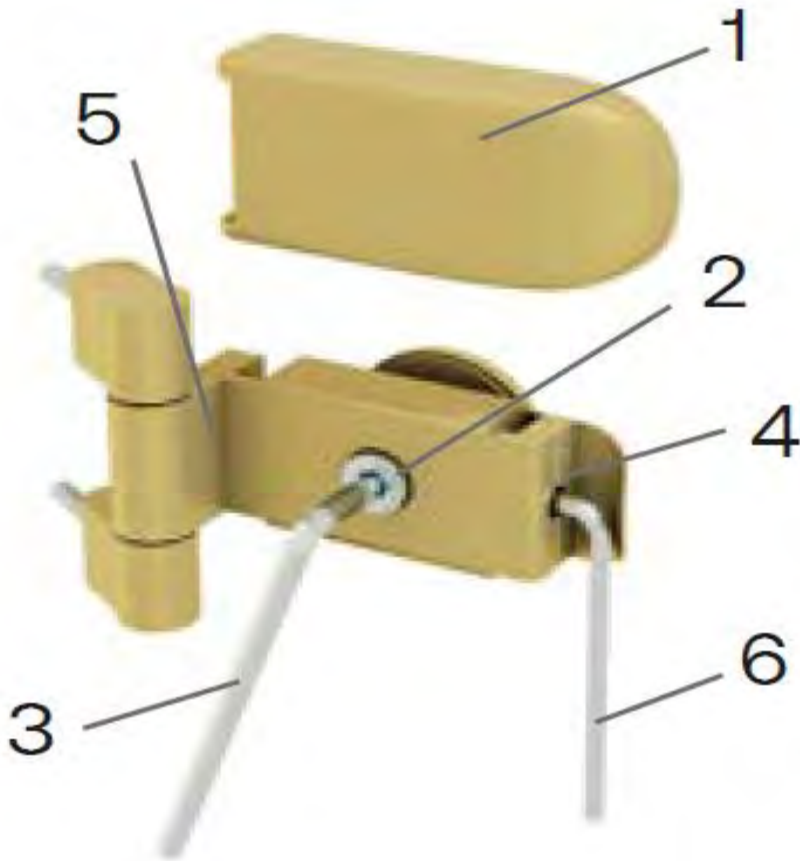
General Installation

- **Careful handling:** Treat all wooden parts with care during assembly to avoid scratches or friction.
- **Level foundation:** Ensure the sauna sits on a stable, level foundation for proper door and window operation. Ensure the base has enough stability to support the sauna.
- **Proper drainage:** Avoid constant water exposure to wooden materials.
- **Electrical and plumbing:** Hire qualified professionals for electrical work, including heater and lighting installation.
- **Wood treatment:** It is recommended to treat all wooden parts after assembly.

Door and Window Maintenance

- **Regular checks:** Regularly inspect window and door hinges and locks. Tighten loose components and lubricate as needed.

• DOOR ADJUSTMENT INSTRUCTIONS



- You will need 3-mm (6) and 5-mm (3) hexagon keys for adjusting the hinges. Remove the plastic covers from the hinges (1). Loosen the fixing screws (2) one turn (do not remove the glass). If needed, the door can be shimmed up a bit from here vertically. If it needs to be adjusted left or right, turn the screws (4 & 5) as required. If one screw is turned counterclockwise, the other must be turned clockwise. Make sure both screws are tight when you have completed this step. Then tighten the fixing screws (2) when adjusted.

CL5G Outdoor Sauna 63D" x 81W" x 83H"

Wood Protection and Maintenance

- **Protective coating:** Apply a wood preservative at least once a year (or more often) to improve resistance to dirt and moisture, make cleaning easier, and extend the lifespan of the product.
- **Adjusting wick condition:** Check and adjust the condition of the sauna's wicks (if applicable) a few times a year.

Sauna Heater and Stones

- **Heater and chimney installation:** Follow the manufacturer's instructions for heater and chimney installation.
- **Cleaning heater stones:** Wash new stones before placement to remove dust and chemicals.
- **Stone placement:** Arrange stones according to the manufacturer's instructions, ensuring heating elements are not exposed.
- **First heating:** The first heating must take place under supervision for two-hours to a temperature of about 210°F. The sauna must be well ventilated both during and after heating. This allows the wood to absorb finishing materials and form a protective layer.

Sauna Use

- **Firewood:** Use dry firewood up to 12" long for wood-burning heaters.
- **Steam throwing:** Throw water only on the heater, not on walls or benches.
- **Swimwear:** Avoid wearing swimwear in the sauna to prevent damage to the benches from dripping water.
- **Seating comfort:** Consider using seating pads for increased comfort on hot benches.
- **Cracked stones:** Check the heater stones regularly, as they can crack over time. Replace or add stones as needed.

Sauna Cleaning After Each Use

- **Wipe down benches:** Use a clean, damp cloth to wipe down the benches. Do not use running water to clean the bench or other wooden surfaces.
- **Cleaning products:** Use suitable cleaning products specifically designed for sauna benches and other wooden parts.
- **Drying and ventilation:** After cleaning, allow surfaces to dry completely and ensure proper ventilation. Run the heater for at least 30 minutes with the vent open and door/windows closed.

Sauna Maintenance - Yearly

- **Wood treatment:** Re-treat wooden surfaces with a suitable product, especially for frequently used saunas.
- **Cleaning surfaces:** Clean all surfaces with a soft brush/cloth and a designated cleaning agent according to the product's instructions.
- **Heavy stains:** For stubborn stains, lightly sand the area before re-treating with wood preservative.

CL5G Outdoor Sauna 63D" x 81W" x 83H"

- **Avoid unsuitable products:** Avoid paints, varnishes, harsh disinfectants, or pressure washers, as these can damage the wood.
- **Hardware checks:** Inspect bench and support mountings. Tighten loose screws if necessary, as wood can loosen due to heat and moisture fluctuations.

What to Avoid in Your Sauna

- **Drying textiles:** Avoid drying textiles in the sauna due to fire hazards and potential wood damage from excessive moisture.
- **Excessive heat:** Don't exceed the maximum temperature specified by the heater manufacturer to prevent fire hazards and wood warping.
- **Cleaning methods:** Avoid using pressure washers or excessive running water, as this can permanently damage the wood structure.

Wood Characteristics in Saunas

- **Natural changes:** Wood is a natural material that may crack or warp slightly due to temperature fluctuations. This is normal in saunas with extreme temperature and humidity changes.
- **Deformation factors:** The risk of wood deformation depends on the material, usage intensity, and is more noticeable with wider boards.
- **Darkening wood:** Wood in areas exposed to hot steam may darken over time.
- **Wood Smell:** Thermally treated wood has a characteristic smell that diminishes over time but does not completely disappear. In a sauna, the smell weakens faster if it is heated for a long time and aired at the same time. The smell is softened by treating the wood with a suitable wood oil or wood care product. Do not wash untreated thermal wood with water, as this will make the smell stronger.