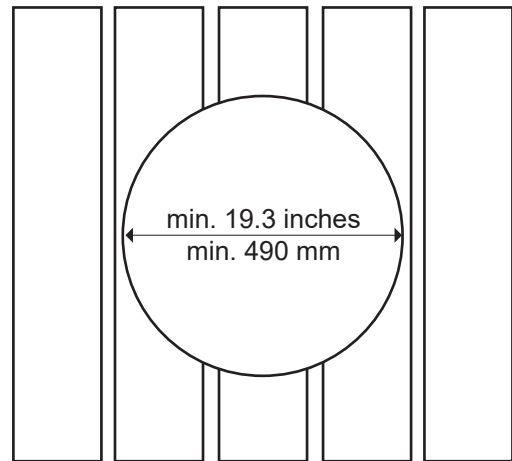
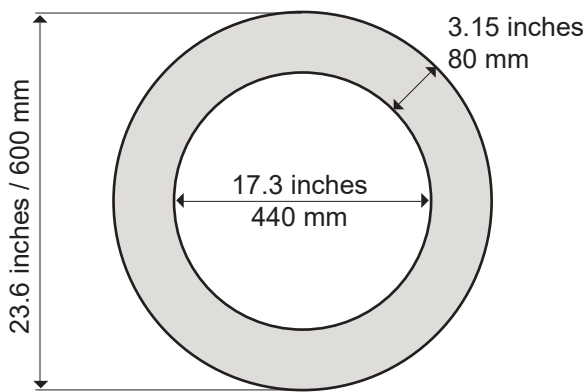


Embedding flange 600

Stainless steel embedding flange 600 is applicable for IKI Pillar heaters: 6,6 kW-9 kW.

Hole for the flange
minimum 19.3 inches / 490 mm



Install the flange centrally
to the bench

