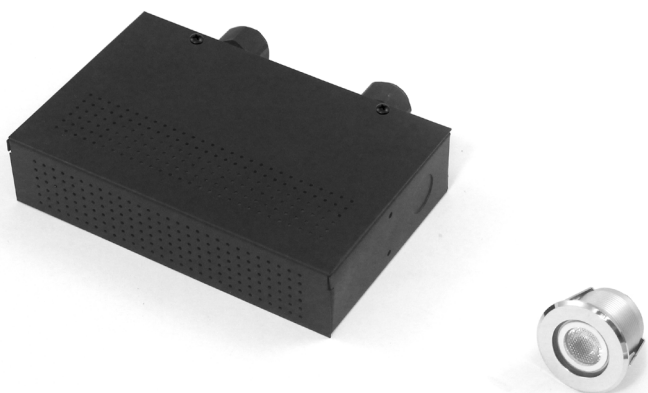


BATHOLOGY

rediscover bathing



Spectrum 441

Sauna White Light System

Installation and Operation Manual

Contents

Installation Considerations	3
Installation	4
Product Care	9
Specifications	12
Replacement Parts	13
Notes	13

Installation Considerations

Please read this manual in its entirety prior to installation

IMPORTANT: DO NOT HOT SWAP ANY ELECTRICAL COMPONENTS. This will void the warranty, and likely cause the product to fail.

CAUTION Carefully review all installation options and instructions before proceeding.

CAUTION For safety purposes, use safety goggles at all times.

! WARNING Do not hot swap any electrical components. This will void the warranty, and likely cause the product to fail. **Fully disconnect the system from its power source before swapping any electrical components.**

! WARNING Check for piping / electrical before cutting or drilling.

! WARNING Some electrical components are not waterproof.

! WARNING If there is any risk of uninsulated electrical connections in your wall / ceiling area, use insulating gloves.

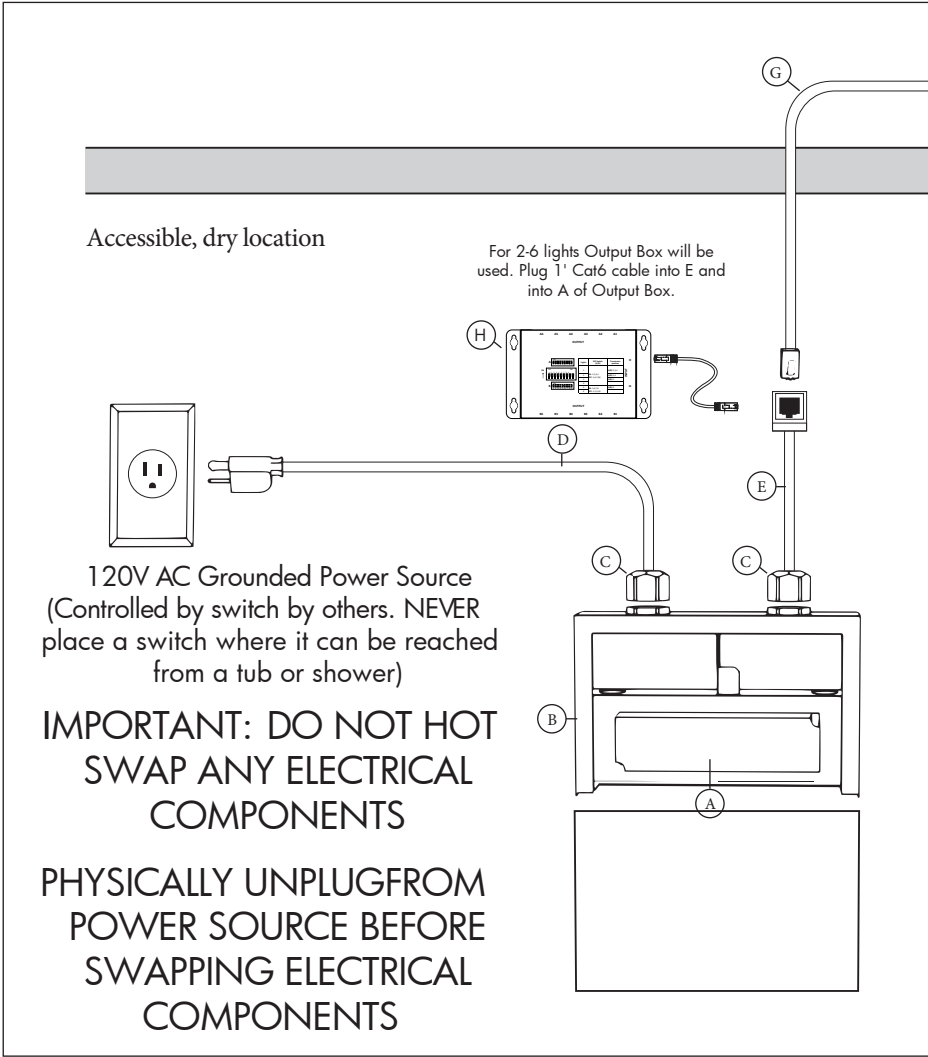
! WARNING The Spectrum 441 Sauna White Light System can be controlled by the use of a light switch provided by others. NEVER place a switch where it can be reached from a tub or shower.

! IMPORTANT All wiring must be done in accordance with National Electric Code and local building code.

! IMPORTANT The Spectrum 441 White Light System should be installed by a licensed, qualified electrician.

! IMPORTANT Consider light placement carefully. The fixture(s) for this system should be placed to avoid direct contact with the bather's eyes.

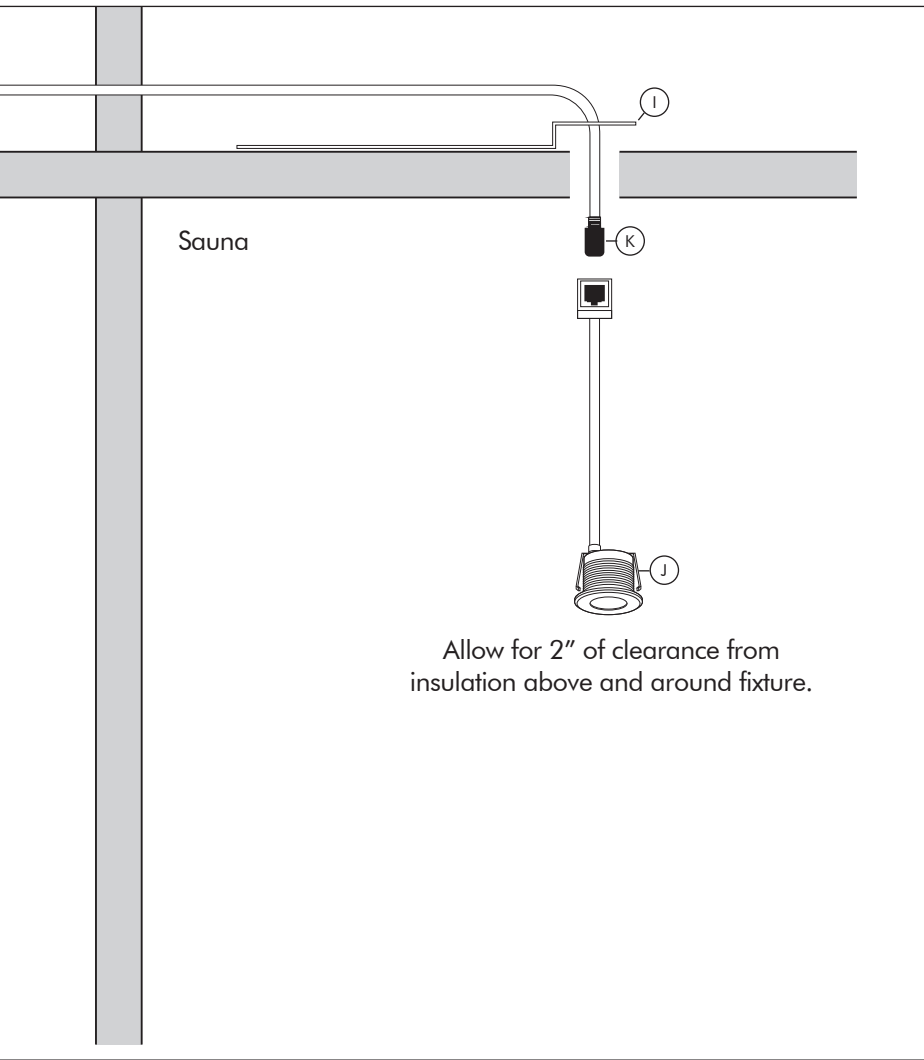
Installation



Package Includes

Item	Quantity	Description
A	1	Driver
	1	Screw
	1	Locknut
B	1	Enclosure
	1	Enclosure Top

Item	Quantity	Description
	2	Enclosure Top Screws
	4	Screws / Anchors
	4	Wire Nuts
	1	Ground Connector
	C	2



Package Includes

Item	Quantity	Description
D	1	Male NEMA Cable
E	1	Light Cable
F	1	Cat6 Cable, 1'
G	1*	Cat6 Cable, 25'

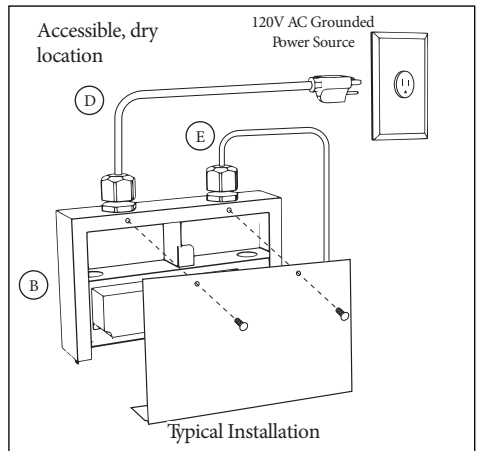
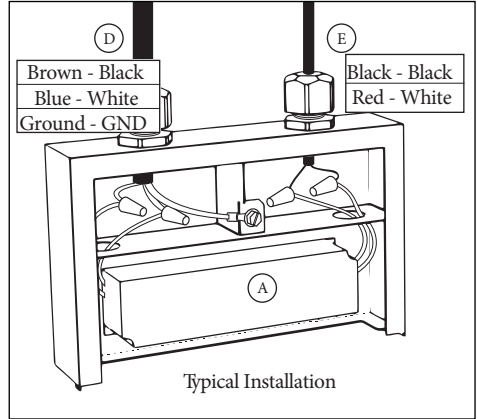
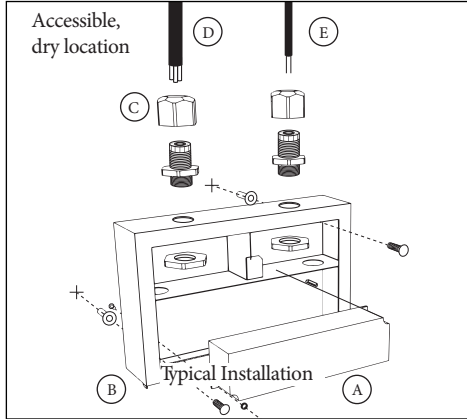
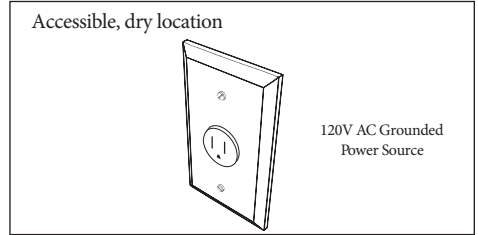
Item	Quantity	Description
H	1	Output Box
I	1*	Mounting Template
J	1*	Brilliance Light Fixture
K	1*	Wire Fit Cap
	1	Silicone Sealant, 1 ounce

NOTE: Quantity with an * increases by one per each additional light purchased. Quantities shown assume no additional lights purchased with Spectrum 441 system.

Installation (Continued)

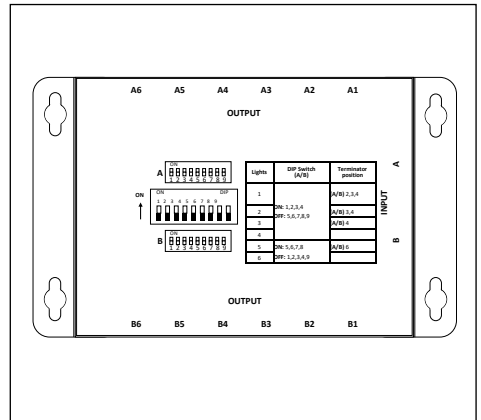
A DC FH5BH 8C 1BC H<C H'GK 5D 5B M9@7 HF 7 5 @
 7C A DC B 9B HG''' H\j'k]''j c]X'h'Y'k UffUbhmž UbX'']_Y'm
 Wli gY'h'Y'dfcXi Wlhc ZU]''

1. Install a standard single gang electrical box in an accessible, dry location.
2. Run a grounded 120VAC from the power supply to the accessible, dry location's electrical box.
3. Secure enclosure (B) to wall in an accessible, dry location using provided screws / anchors.

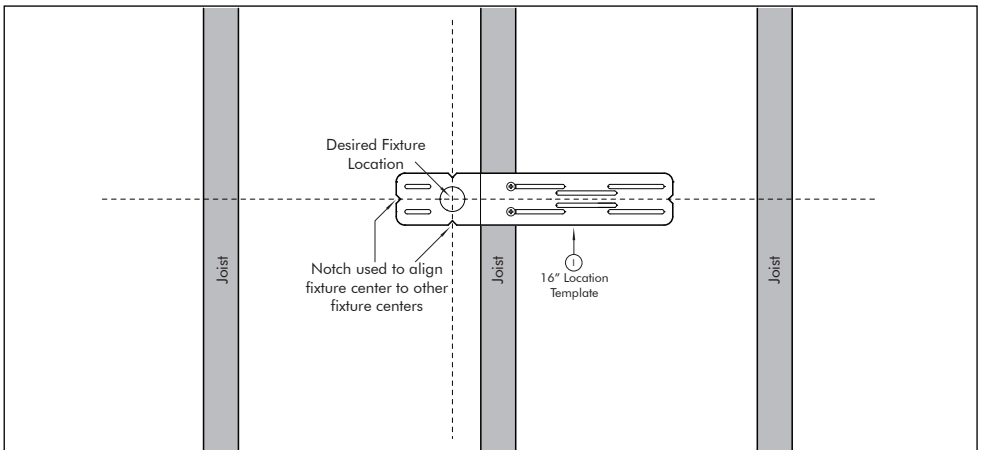
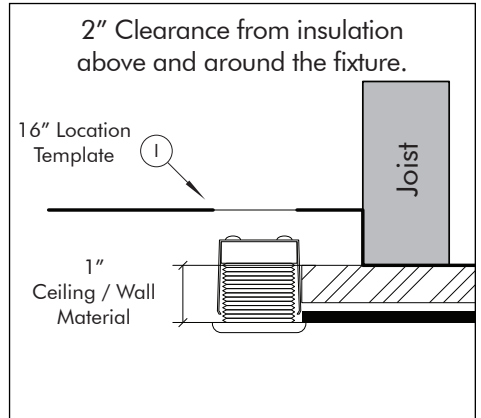


Installation (Continued)

- Determine number of lights per input. Limit 6 lights per input.
- Determine desired brilliance light fixture (J) location. Note: Fixture should be placed to avoid direct contact with the bather's eyes. Allow for 2" clearance from insulation above and around the fixture.

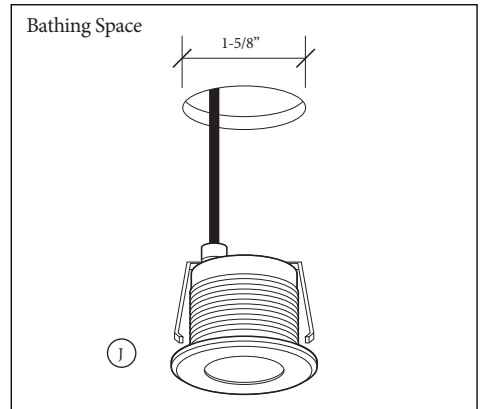


- Optional: Mount 16" location template (I) to ceiling / wall framework. Use notches to quickly align desired location to other fixtures in the room.



Installation (Continued)

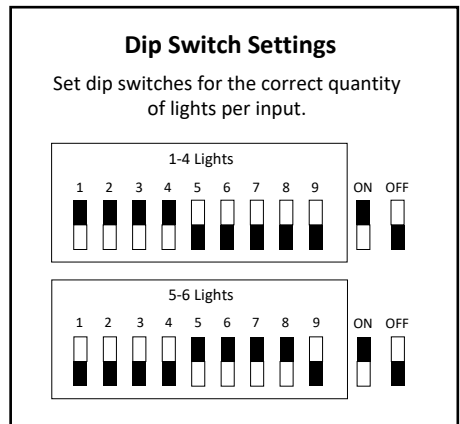
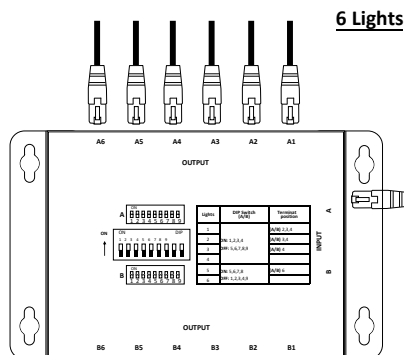
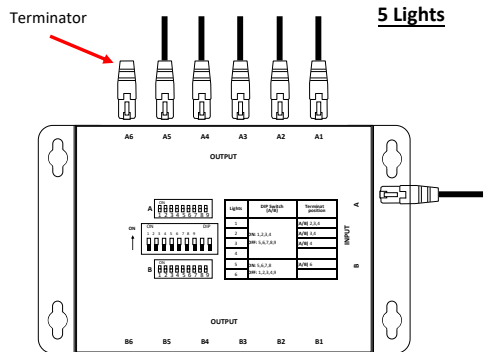
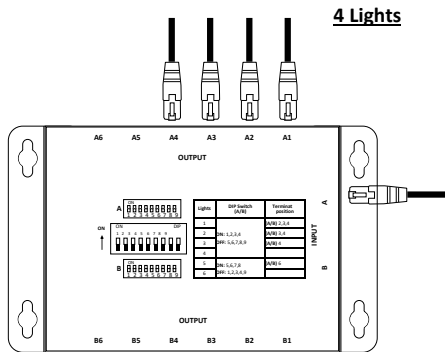
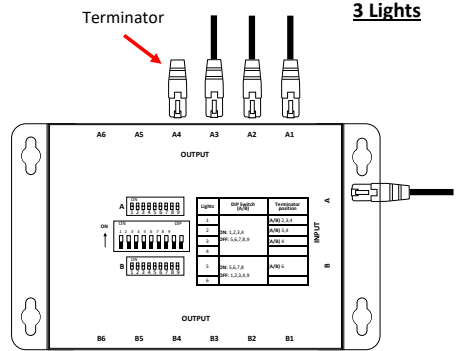
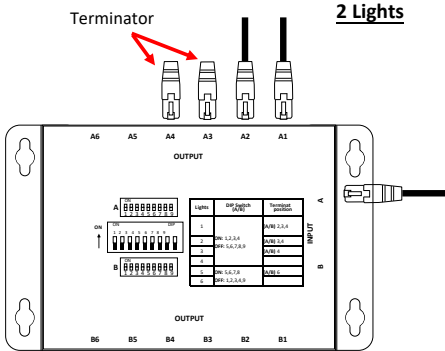
7. Make a 1-5/8" hole in desired location.
8. Mount brilliance light fixture (J) to ceiling through 1-5/8" cut - out. Allow for 2" clearance from insulation above and around the fixture.
9. Repeat steps 6 - 8 for each light.



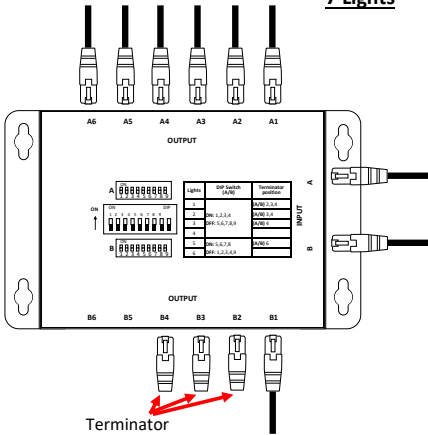
Product Care

For routine cleaning, simply use a soft damp cloth and common household soap. Use a damp cloth to wipe clean, then dry. Clean product frequently to avoid calcium deposits on surfaces. Use only mild soap. Never use abrasive or cleaning containing alcohol, ammonia, hydrochloric or phosphoric acids as they may damage the product's finish. To clean electrical components, gently wipe down using a dry cloth or duster. Never use a wet duster, water, or any other liquid to clean the device.

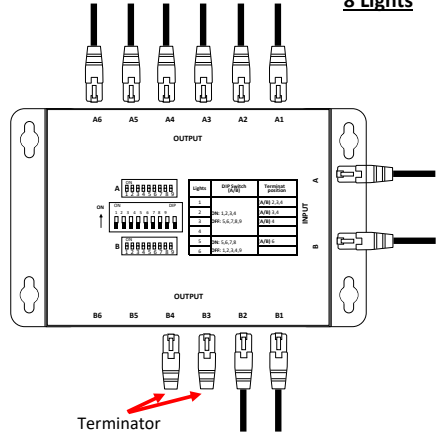
Spectrum 441



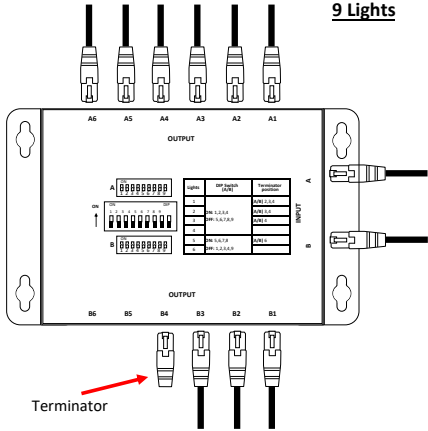
7 Lights



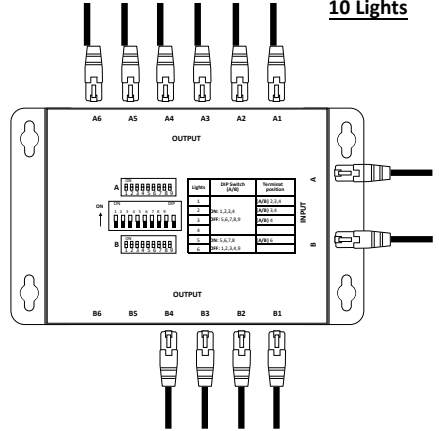
8 Lights



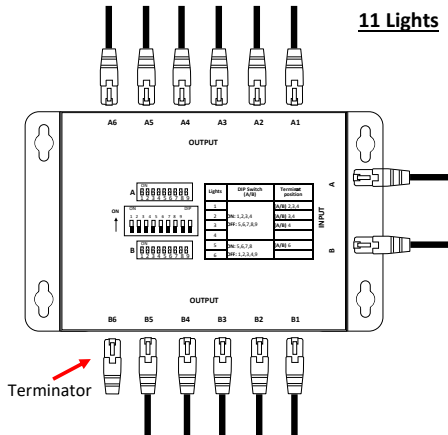
9 Lights



10 Lights



11 Lights



Specifications

Driver

Operating Voltage: 120 V AC

Output Voltage: 700mA

Power Consumption: 35W Nominal

Amperage: 1.1 Amps **Dimensions:**

5-7/8" W x 1-1/8" H x 1-5/8" D

Brilliance Fixture

Type: LED White 3500K

Operating Voltage: 12VDC

Maximum Input Current: 700mA

LED: 1 x 3 Watt

Beam Angle: 35°

Trim Finish: Polished Stainless Steel

Housing Composition: First Grade Aluminum

Lens: Frosted, 1-7/32" Diameter

Lens Composition: Tempered Glass

Rough-in Cutout: 1-5/8" to 1-11/16"

Trim Dimension: 2-3/64" Diameter, 1/8" Profile

Body Dimensions: 1-15/32" Diameter x 1-7/8" Deep

Rating: IP68

Certifications: CE / RoHS / WEEE

Max Operating Temperature: 220°F when installed per instructions

Enclosure

Housing Composition: Steel, black powder coated finish

Dimensions: 7-3/4" W x 1-7/8" H x 4-7/8" D

Standards: NEMA 1

Listing: ETL, UL

Construction Template

Composition: Steel, Galvanized, Gauge 22

Dimensions: 15-1/8" L x 1/32" H x 3" D

Replacement Parts

Contact your Bathology representative for Spectrum 441 Sauna White Light System replacement parts.

800-957-2862

www.Bathology.com

Description	Part Number
Driver	Spectrum078
Enclosure	Spectrum079
Strain Relief Bushings	Spectrum077
Male NEMA Cable	Spectrum038
Cat6 Cable, 1'	210-BP031128
Cat6 Cable, 25'	210-BP031129
Output Box	210-BP031140
Mounting Template	Spectrum-68- Temp
Frosted LED White Light	Spectrum 107

Notes

BATHOLOGY

rediscover bathing

www.Bathology.com 800-957-2862

A division of Bathing Brands, Inc.